



Fusion soft

THIS SYSTEM INCLUDES A START-UP CARTRIDGE
REQUIRES A NATURE² MINERAL CARTRIDGE AFTER START-UP PERIOD
(not included, see page 26 for more information)

⚠ WARNING

FOR YOUR SAFETY - This product must be installed and serviced by a contractor who is licensed and qualified in pool equipment by the jurisdiction in which the product will be installed where such state or local requirements exist. In the event no such state or local requirement exists, the maintainer must be a professional with sufficient experience in pool equipment installation and maintenance so that all of the instructions in this manual can be followed exactly. Before installing this product, read and follow all warning notices and instructions that accompany this product. Failure to follow warning notices and instructions may result in property damage, personal injury, or death. Improper installation and/or operation will void the warranty.

Improper installation and/or operation can create unwanted electrical hazard which can cause serious injury, property damage, or death.

Table of Contents

Section 1. Important Safety Instructions.....	5	Section 5. Operating Instructions	30
Section 2. System Description	7	5.1 User Interface Controls	30
2.1 Product Description	7	5.2 Reading the Display.....	31
2.2 Nature ² Fusion Soft Components	7	5.3 Operation	32
2.3 Product Specifications	8	5.4 Startup	33
2.4 Electrical Specifications	9	5.4.1 Start-Up Cartridge Procedure	33
Section 3. Installation Instructions	9	5.4.2 Shocking	33
3.1 Materials and Tools.....	10	5.4.3 Apply Power.....	33
3.2 Installation Requirements	10	5.5 Operating in Winter	34
3.3 Anchoring the Vessel to the Equipment Pad	10	5.6 Recommendations.....	34
3.4 Installation of the Vessel.....	11	Section 6. User Maintenance Instructions	35
3.5 Bypass Installation.....	13	6.1 Daily	35
3.6 Split-Return Installation.....	14	6.2 Weekly	35
3.7 Installing the FUSIONM or AquaLink® RS PureLink™.....	14	6.3 Monthly	35
3.8 Grounding and Bonding.....	16	6.4 Every Six (6) Months (Or once every pool season whichever is shorter).....	36
3.9 Model Re-Configuration.....	16	6.4.1 Nature ² Mineral Cartridge Replacement	36
3.10 Installation of the Chlorine Generator Device User Interface on an AquaLink RS or PDA Bezel.....	17	6.5 Electrolytic Cell Cleaning - As Needed	36
3.11 Connecting the Nature ² Fusion Soft Vessel and Flow/Temperature/Salinity Sensor	18	6.6 Flow/Temp/Salinity Sensor Cleaning	37
3.12 Connection to the AquaLink RS Control System	22	6.7 Winterizing	37
3.12.1 Wiring Nature2 Fusion Soft Power Pack to a Jandy® AquaLink RS	22	Section 7. Troubleshooting	38
3.12.2 Connection of PureLink™ Chlorine Generator Electronics to a Jandy AquaLink RS	23	7.1 Problems and Corrective Action	38
3.13 Operation of External Control/ORP Control Board	23	7.2 Service Codes	41
Section 4. Pool Water Preparation.....	24	7.3 Level 2 Service Codes.....	42
4.1 Determining Pool Size (Gallons of Water in Your Pool)	24	7.4 Additional Letter Codes	43
4.2 Determining Pool Size (Litres of Water in Your Pool).....	25	Section 8. Temperature Conversion	43
4.3 Selecting Cartridge Size	25	Section 9. Nature² Fusion Soft and PureLink Exploded Views and Replacement Kits	44
4.4 Chemistry You Need to Know	25	9.1 Nature ² FUSIONM and PureLink Control/Power Pack Replacement Parts	44
4.5 Optimum Pool Water Conditions.....	26	9.2 Nature ² Fusion Soft Replacement Parts	46
4.6 Salt (NaCl Sodium Chloride)	26		
4.6.1 When to Add Salt	26		
4.6.2 What Type of Salt to Use	27		
4.6.3 How Much Salt to Use	27		
4.6.4 How to Add Salt to the Pool?	27		

Figures

Figure 1.	Nature ² Fusion Soft Components.....	7
Figure 2.	Anchor Bracket Installation	11
Figure 3.	Pipe Cutout	12
Figure 4.	Example of Nature ² Fusion Soft Installation With Options	12
Figure 5.	Example of Bypass Installation	13
Figure 6.	Nature ² Fusion Soft Split-Return Installation	15
Figure 7.	Power Pack Installation	15
Figure 8.	Installation of the User Interface	17
Figure 9.	Installation of the User Interface	17
Figure 10.	Vessel Installation and Flow/Temp/Salinity Sensor	18
Figure 11.	Wiring Diagram for the Power Pack	19
Figure 12.	Wiring Diagram for the AquaLink® RS PureLink System with connection to 240 VAC Filter Pump	20
Figure 13.	Wiring Diagram for the AquaLink RS PureLink™ System with connection to 120 VAC Filter Pump	21
Figure 14.	Power connection between AquaLink RS enclosure and Nature ² Fusion Soft enclosure.....	22
Figure 15.	Wiring Nature ² Fusion Soft Control Center to an AquaLink RS Control System	22
Figure 16a.	Wiring a PureLink Control System Network	23
Figure 16b.	Wiring a PDA Control System Network	23
Figure 17.	Movable ORP Jumper J14	24
Figure 18.	Head Loss Curve	29
Figure 19.	User Interface.....	30
Figure 20.	Electrolytic Cell Cleaning	37
Figure 21a.	Nature ² Fusion Soft Power Pack.....	44
Figure 21b.	AquaLink RS PureLink Power Center, 6614AP.....	45
Figure 21c.	AquaLink RS PureLink Power Center, 6613AP.....	45
Figure 22.	Nature ² Fusion Soft Vessel Exploded View.....	46

Tables

Table 1.	Approximate Pounds and Kilograms of Salt Needed to Obtain 3.0 gpl (3,000 ppm)	28
Table 2.	Approximate Pounds and Kilograms of Stabilizer Needed to Obtain 50 ppm	29

Section 1. Important Safety Instructions

READ AND FOLLOW ALL INSTRUCTIONS

All electrical work must be performed by a licensed electrician and conform to all national, state, and local codes. When installing this equipment, basic safety precautions should always be followed, including the following:

WARNING

EQUIPMENT UNDER PRESSURE: Always turn pump off prior to installing or changing any Nature2 vessel or cartridge or chlorine cell. Your pump/filter system is operated under pressure and the pressure must be released before you begin work. Please see your pump/filter owner's manual for further instructions.

DANGER

To reduce the risk of injury, do not remove the suction fittings of your spa or hot tub. Never operate a spa or hot tub if the suction fittings are broken or missing. Never replace a suction fitting with one rated less than the flow rate marked on the equipment assembly.

WARNING

When mixing acid with water, **ALWAYS ADD ACID TO WATER. NEVER ADD WATER TO ACID.**

WARNING

To reduce the risk of electric shock, fire or injury, service should only be attempted by a qualified pool service professional.

WARNING

This product, if not operated properly, can form high concentrations of chlorine gas which can be harmful.

WARNING

PREVENT CHILD DROWNING: Do not let anyone, especially small children, sit, step, lean or climb on any equipment installed as part of your pool's operational system. Locate the components of your operational system at least three (3) feet (1 m) from the pool so children cannot use the equipment to access the pool and be injured or drown.

WARNING

TO REDUCE THE RISK OF SEVERE INJURY OR DEATH -

- The water in a spa should never exceed 104°F (40°C). Water temperatures between 100°F (38°C) and 104°F (40°C) are considered safe for a healthy adult. Lower water temperatures are recommended for young children and when spa use exceeds 10 minutes.
- Since excessive water temperatures have a high potential for causing fetal damage during the early months of pregnancy, pregnant or possibly pregnant women should limit spa water temperatures to 100°F (38°C).
- Before entering a spa or hot tub, the user should measure the water temperature with an accurate thermometer since the tolerance of water temperature-regulating devices varies.
- The use of alcohol, drugs, or medication before or during spa or hot tub use may lead to unconsciousness with the possibility of drowning.
- Obese persons and persons with a history of heart disease, low or high blood pressure, circulatory system problems, or diabetes should consult a physician before using a spa.
- Persons using medication should consult a physician before using a spa or hot tub since some medication may induce drowsiness while other medication may affect heart rate, blood pressure, and circulation.

⚠ WARNING**TO REDUCE THE RISK OF SEVERE INJURY OR DEATH -**

- People with infectious diseases should not use a spa or hot tub.
- To avoid injury, exercise care when entering or exiting the spa or hot tub.
- Do not use drugs or alcohol before or during the use of a spa or hot tub to avoid unconsciousness and possible drowning.
- Pregnant or possibly pregnant women should consult a physician before using a spa or hot tub.
- Water temperature in excess of 100°F (38°C) may be injurious to your health.
- Before entering a spa or hot tub measure the water temperature with an accurate thermometer.
- Do not use a spa or hot tub immediately following strenuous exercise.
- Prolonged immersion in a spa or hot tub may be injurious to your health.
- Do not permit any electric appliance (such as a light, telephone, radio, or television) within five (5) feet (1.52 m) of a spa or hot tub.
- The use of alcohol, drugs or medication can greatly increase the risk of fatal hyperthermia in hot tubs and spas.

⚠ WARNING

Prolonged immersion in hot water may induce hyperthermia. Hyperthermia occurs when the internal temperature of the body reaches a level several degrees above the normal body temperature of 98.6°F (37°C). The symptoms of hyperthermia include dizziness, fainting, drowsiness, lethargy, and an increase in the internal temperature of the body. The effects of hyperthermia include:

- Unawareness of impending danger;
- Failure to perceive heat;
- Failure to recognize the need to exit spa;
- Physical inability to exit spa;
- Fetal damage in pregnant women; and/or
- Unconsciousness resulting in a danger of drowning.
- The use of alcohol, drugs, or medication can greatly increase the risk of hyperthermia.

⚠ CAUTION

It is important to note that certain materials used in and around swimming pools and spas may not be compatible with chemicals commonly used to purify pool and spa water (e.g. acids, chlorine, salt, stabilizers, etc.).

As such, Zodiac Pool Systems, Inc. does not warrant or guarantee that the chlorinated water generated by the Nature² Fusion will not damage or destroy certain types of plants, decking, coping and other materials in and around your pool and/or spa. Before selecting materials to be used in and around your pool and/or spa, please discuss all options with your contractor to assess the compatibility of such materials and chemicals.

Some helpful considerations may include:

- Choosing plants that can withstand splash out of pool water containing chlorine and/or salt and other water purification chemicals.
- All metal components used in and around a pool should be of a high grade, quality stainless steel.
- Careful selection of masonry products. The porosity and hardness of natural stones varies greatly. Therefore we recommend you consult with your builder or stone contractor on the best choice for stone materials around your pool or spa.
- Sealing all masonry products. Professionals in the stone industry specify that even natural stone, especially when used outdoors, be sealed to prevent weathering, staining, and premature degradation. Consult with your stone or deck contractor for the proper sealer for the masonry products you have selected to use around your pool or spa.
- For optimal results, sealers should be reapplied on a regular basis. Reapply the protective sealer on a schedule per the manufacturer's instructions.

SAVE THESE INSTRUCTIONS

Section 2. System Description

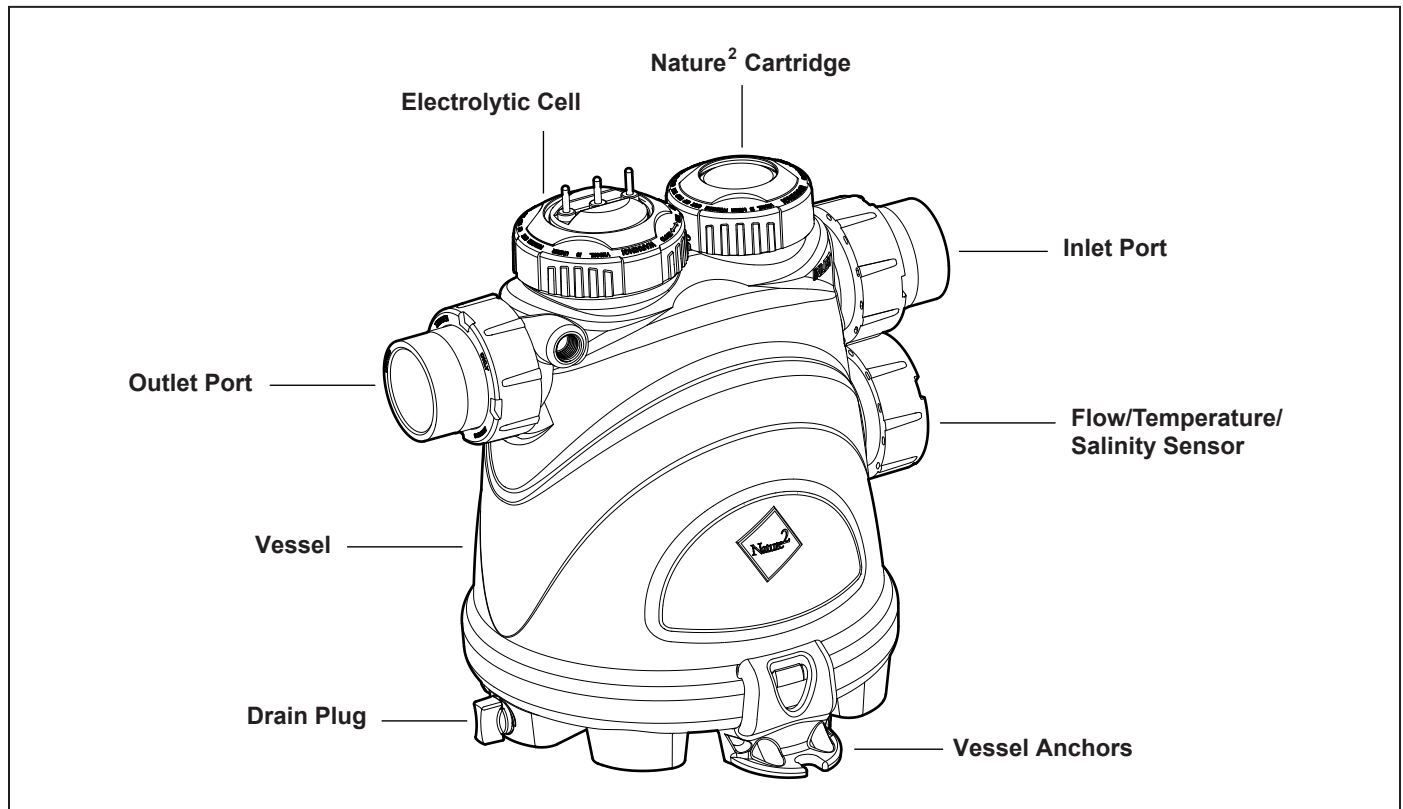


Figure 1. Nature² Fusion Soft Components

2.1 Product Description

The Nature² Fusion Soft is an all-in-one, sanitizing system which includes mineral sanitization and saltwater chlorination technologies in one housing, that can be interfaced with a centralized pool control system.

The Nature² Fusion Soft uses a dual approach to sanitizing pool water. The first process is Zodiac's Nature² technology which delivers controlled trace amounts of beneficial minerals to help reduce bacteria and maintain algae free pool. The mineral cartridge reduces the amount of chlorine your pool requires, which dramatically improves the water quality and extends the life of the electrolytic cell. The second process is known as electrolysis which produces chlorine from a low concentration of salt added to the pool water. Chlorine kills bacteria, oxidizes organic material, and kills algae then reverts back to salt. The Nature² Fusion Soft then reuses the salt to repeat the process again.

2.2 Nature² Fusion Soft Components

The Nature² Fusion Soft system is comprised of the following components:

Nature² FUSIONM Power Pack (for stand alone systems, sold separately)

- The Nature² FUSIONM power pack converts AC power into low voltage DC current which is required by the cell to perform the electrolysis.
- The LCD display offers monitoring of chlorine production, cell modes, salinity level, temperature, water flow and diagnostics.
- The power pack is connected with the pool circulation pump electrical source so that the electrolytic cell can only operate when the pool pump is on. The flow portion of the flow/temp/salinity sensor is a backup device only.

AquaLink® RS PureLink™ Power Center (For centralized pool control system, sold separately)

- The PureLink system is an all-in-one saltwater chlorinator control system power center for use with AquaLink RS PDA, All Button, Pool Link, or OneTouch™ controllers.
- The AquaLink RS PureLink power center converts AC power into low voltage DC current which is required by the cell to perform the electrolysis.
- The LCD display offers monitoring of chlorine production, cell modes, salinity level, temperature, water flow and diagnostics.
- The chlorine generator electronics are connected with the pool circulation pump electrical source so that the electrolytic cell only operates when the pool pump is on. The flow portion of the flow/temp/salinity sensor is a backup device only.

Nature² Fusion Sanitizing Vessel

- The sanitizing vessel uses a combination of an electrolytic cell and a mineral cartridge. The electrolytic cell contains bipolar electrodes which perform the electrolysis and produce chlorine when energized with DC current. Chlorine is generated as pool water containing salt passes through the cell. The chlorine production can be varied by either adjusting the Chlorine Production Level on the power center or by varying the number of hours the Nature² Fusion Soft is on each day. ***The Nature² Fusion Soft automatically cleans the electrodes once every three (3) hours by reversing polarity. This does not interrupt the production of chlorine.*** The mineral cartridge delivers controlled trace amount of silver and copper that works in conjunction with the chlorine to maintain an algae-free pool.

Flow/Temperature/Salinity/Sensor

- The flow portion of the flow/temp/salinity sensor helps detect if there is adequate water flow through the vessel.
- The salinity portion of the flow/temp/salinity sensor detects the level of salt in the pool water. This salt level is displayed in grams per liter (GPL)* on the liquid crystal display (LCD) whenever the salinity button is pressed. This eliminates the need for manual pool water salinity testing.
- Pool temperature is displayed by pressing the temperature button.

*1 gram per liter (GPL) = 1000 ppm (parts per million)

2.3 Product Specifications

	Nature ² Fusion Soft 700	Nature ² Fusion Soft 1400
Capacity	Up to 12,000 gal. (45,000 L)	Up to 40,000 gal. (151,000 L)
Replacement Nature² cartridge (sold separately) Important: The proper replacement cartridge model is indicated on the label of the vessel	DuoClear® 25 or Nature ² Fusion 25 #W28000 (single) #W26000 (4-pack)	DuoClear 45 or Nature ² Fusion 45 #W28002 (single) #W26002 (4-pack)
Maximum operating pressure	50 psi	50 psi
Minimum flow rate	30 gpm (114 lpm)	30 gpm (114 lpm)
Maximum flow rate	120 gpm (455 lpm)	120 gpm (455 lpm)
Salt Level Requirement *	3,000 - 3,500 ppm	3,000 - 3,500 ppm
Recommended Salt Level *	3,000 ppm	3,000 ppm
Vessel Dimensions	16.5" L x 16" H x 14.5" D (42 cm x 40 cm x 37 cm)	
Power Pack Dimensions	14.5" L x 10" H x 6.5" D (37 cm x 25 cm x 17 cm)	
Vessel Weight	10.6 lbs (4.8 kg)	11 lbs (5 kg)
Power Pack Weight	25 lbs (11.3 kg)	25 lbs (11.3 kg)

* Do not exceed 3,500 ppm

2.4 Electrical Specifications

	Nature ² Fusion Soft 700 Connected to FUSIONM	Nature ² Fusion Soft 1400 Connected to FUSIONM
Input	120 VAC, 50/60 Hz, 1.5 AMPS 240 VAC, 50/60 Hz, 0.75 AMPS	120 VAC, 50/60 Hz, 2.5 AMPS 240 VAC, 50/60 Hz, 1.25 AMPS
Output	22-30 VDC @ 3 AMPS maximum	22-30 VDC @ 6 AMPS maximum
Chlorine	0.625 lb / day (283 gm / day)	1.25 lb / day (567 gm / day)
External Control Option	ORP/External Control Connector AquaLink® RS485 Connector	ORP/External Control Connector AquaLink RS485 Connector

CAUTION

The FUSIONM saltwater chlorinator electronics are factory wired for 240 VAC service. If the available electrical service is 120 VAC, then the power supply wiring must be changed to operate on 120 VAC as shown in Figures 11 and 13.

The chlorinator electronics are powered from the LOAD SIDE of the pool circulation pump relay; therefore, if the available electrical service is 120 VAC, then the pump must also be wired for 120 VAC.

Section 3. Installation Instructions

WARNING

FOR YOUR SAFETY: This product must be installed and serviced by a professional pool/spa service technician as described on the front cover of this manual. The procedures in this manual must be followed exactly. Failure to follow warning notices and instructions may result in property damage, serious injury, or death. Improper installation and/or operation will void the warranty.

WARNING

When using electrical products, basic precautions should always be followed, including the following:

- RISK OF ELECTRIC SHOCK WHICH CAN RESULT IN SERIOUS INJURY OR DEATH. Before attempting installation or service, ensure that all power to the device is disconnected/turned off at the circuit breaker.
- Grounding is required. The unit should be installed by a qualified service representative and should be properly grounded and bonded. (See Section 3.8, Grounding and Bonding).
- Install to permit access for servicing.
- Read Section 1, Safety Information. **Before attempting any electrical wiring, be sure to read and follow Safety Instructions. Wiring should only be attempted by a qualified professional.**

3.1 Materials and Tools

NOTE Salt not included. See Section 4, Pool Water Preparation.

Installation Materials Furnished Needed	
<p>Nature² Fusion Soft</p> <ul style="list-style-type: none"> Vessel with 2"-2½" (5 - 6.3 cm) Universal Unions Sensor with 16 ft (4.88 m) Cable and O-ring Universal Union Nut (to secure sensor) 16 ft (4.88 m) DC Power Cord Installation and Operation with Warranty Information 	<p>PureLink™ with Power Center (Optional - Sold separately)</p> <ul style="list-style-type: none"> AquaLink® RS PureLink power center (Standard or Breaker) Two (2) Wire Nuts Installation Template
<p>FUSIONM or APUREM Power Pack (Sold separately)</p> <ul style="list-style-type: none"> Power Pack Housing with User Interface Control Two (2) Wire Nuts Installation Template 	<p>Tools Needed for Installation</p> <ul style="list-style-type: none"> Tape Measure Phillips & Flathead Screwdrivers Pliers Hacksaw Voltmeter to determine line voltage of AC wiring to power supply Electric Drill Motor and 1/4" (0.6 cm) masonry drill bit for mounting power supply on block or stucco wall An NSF® approved All Purpose Cleaner Primer An NSF approved All Purpose Cement (such as Weld-On® 794™, 793™)

3.2 Installation Requirements

Decide where to install the Nature² Fusion Soft.

- The vessel must be installed on a 17" (43 cm) length of pipe.
- The vessel must be installed on the existing pad or a concrete slab to support the weight.
- The vessel must be installed as the last piece of equipment in the circulation plumbing system just before the pool with the Nature² side as the inlet and the salt chlorinator side as the outlet. The inlet and outlet are clearly marked on the vessel.
- The vessel must be installed downstream from the heater or heater damage will occur.
- If the vessel is installed below the pool water level, it must be installed with a check valve. The check valve will isolate the vessel and prevent pool draining during installation, cell change or cartridge change.
- If plumbing size is greater than 2" (5 cm) diameter or if flow rates are greater than 120 gpm (455 lpm), the vessel must be installed in a bypass configuration (see Section 3.5).
- If the vessel is used with water feature line system, it must be installed in a split-return configuration or vessel damage may occur (see Section 3.6).
- Never install the Nature² Fusion directly into copper plumbing as pipe damage may occur. If brass or bronze backwash valves, or other sensitive metallic components are installed, consult your dealer for recommendations on your particular system.

3.3 Anchoring the Vessel to the Equipment Pad

In some areas, for example Florida, building codes require that all appliances be securely fastened to the equipment pad in order to withstand high wind pressures created by hurricanes. Please follow all local codes and standards.

NOTE Anchor screws and washers for securing the vessel to the equipment pad are not included with the vessel. Zodiac Pool Systems, Inc. ("Zodiac") recommends that a 2 1/4" X 1/4" (5.7 cm X 0.6 cm) long stainless steel Tapcon® concrete screw and stainless steel flat washer are used to mount each of the two (2) anchors in the base to the equipment pad. The Tapcon concrete screw meets Florida building code requirements.

1. Manually snap on the two (2) clip-type anchor brackets onto the side feet of the vessel as shown in Figure 2. Make sure these anchor brackets are attached firmly to the feet of the vessel.
2. Place the vessel on the pad and mark the location of each hole of the anchor brackets on the concrete pad.
3. Drill a 5/32" (0.5 cm) hole in the concrete at each of the two (2) hole locations of the anchor brackets. The correct size concrete drill bit should be obtained when the concrete screws are purchased.
4. Install the Tapcon screws and washers into each of the two (2) holes to secure the vessel to the equipment pad. Do not over-torque the screws.

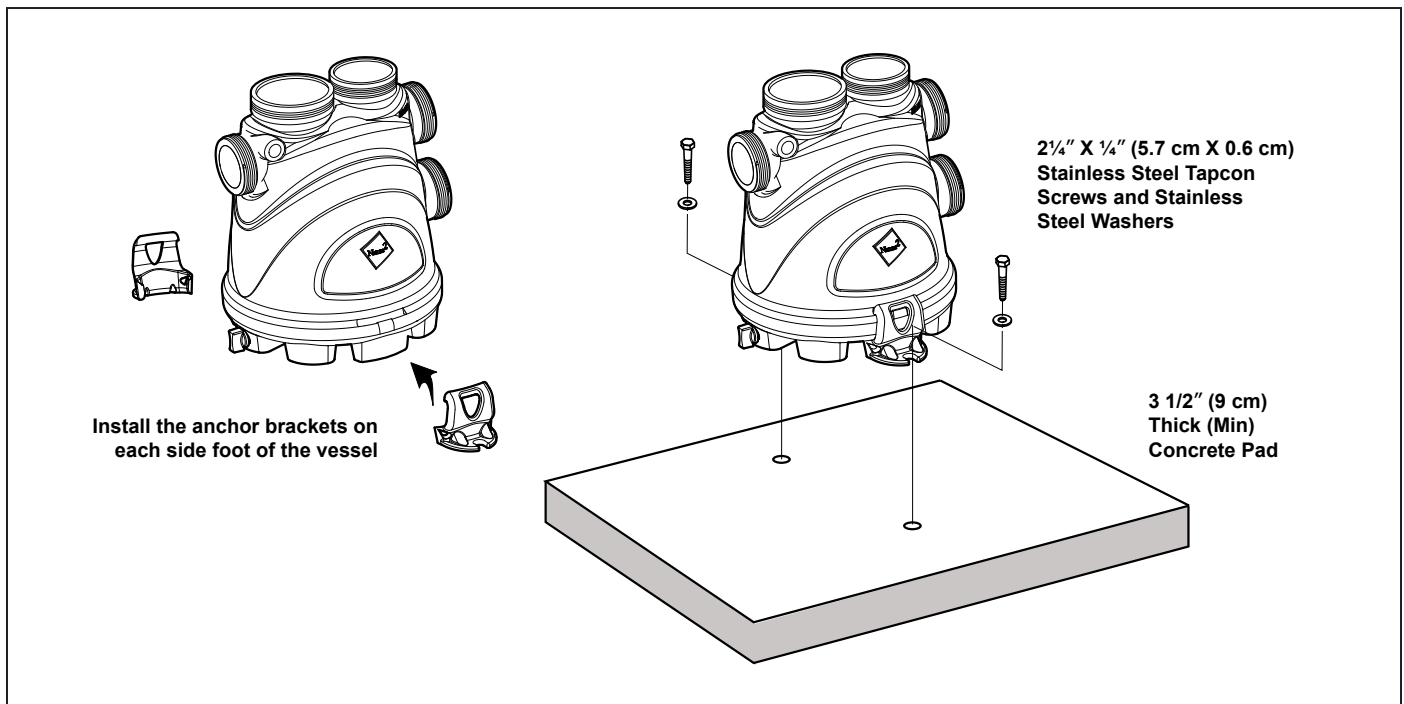


Figure 2. Anchor Bracket Installation

3.4 Installation of the Vessel

1. Make sure the pool pump is turned off.
2. Remove the temporary cap on the cartridge side of the vessel, and install the Nature² start-up cartridge included in the box. Do not throw out the cap. It will be used for winterization of the system.
3. Locate a suitable section of pipe to install the vessel, approximately 17" (43 cm) long, that conforms to the installation requirements outlined in Section 3.2.
4. Cut out a 13 7/8" (35 cm) section of the 2" (5 cm) pipe to insert the vessel (see Figure 3).
5. Connect the outlet from the filter or heater to the vessel inlet port with the appropriate Schedule 40 PVC pipe; secure the connection with a pipe glue that is compatible with PVC.

NOTE Reducer bushings can be used to accommodate 1.5" (3.8 cm) plumbing with no effect on the operation of the Nature² Fusion Soft.

6. Connect the vessel outlet port to the pool return line with the same type of PVC pipe and secure the connection with pipe glue. Allow sufficient time for the glue to dry.
7. Hand tighten all unions, sensors, and collars.

⚠ CAUTION

Be careful not to get finger caught between inlet union and plug when tightening as this may cause an injury.

8. Start the pump and check for leaks.

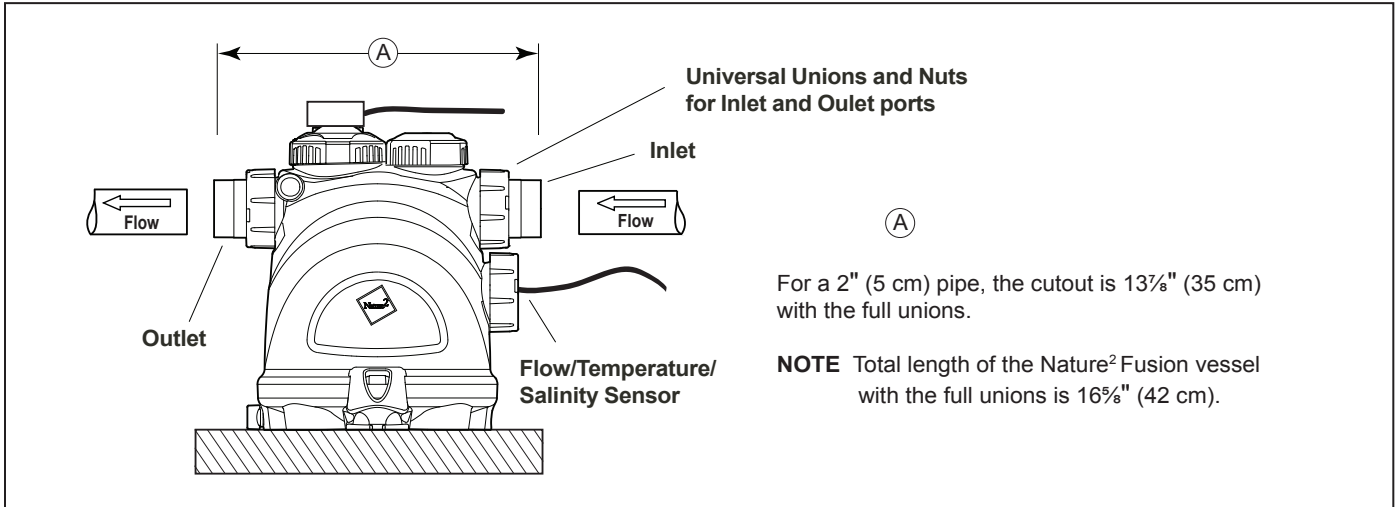


Figure 3. Pipe Cutout

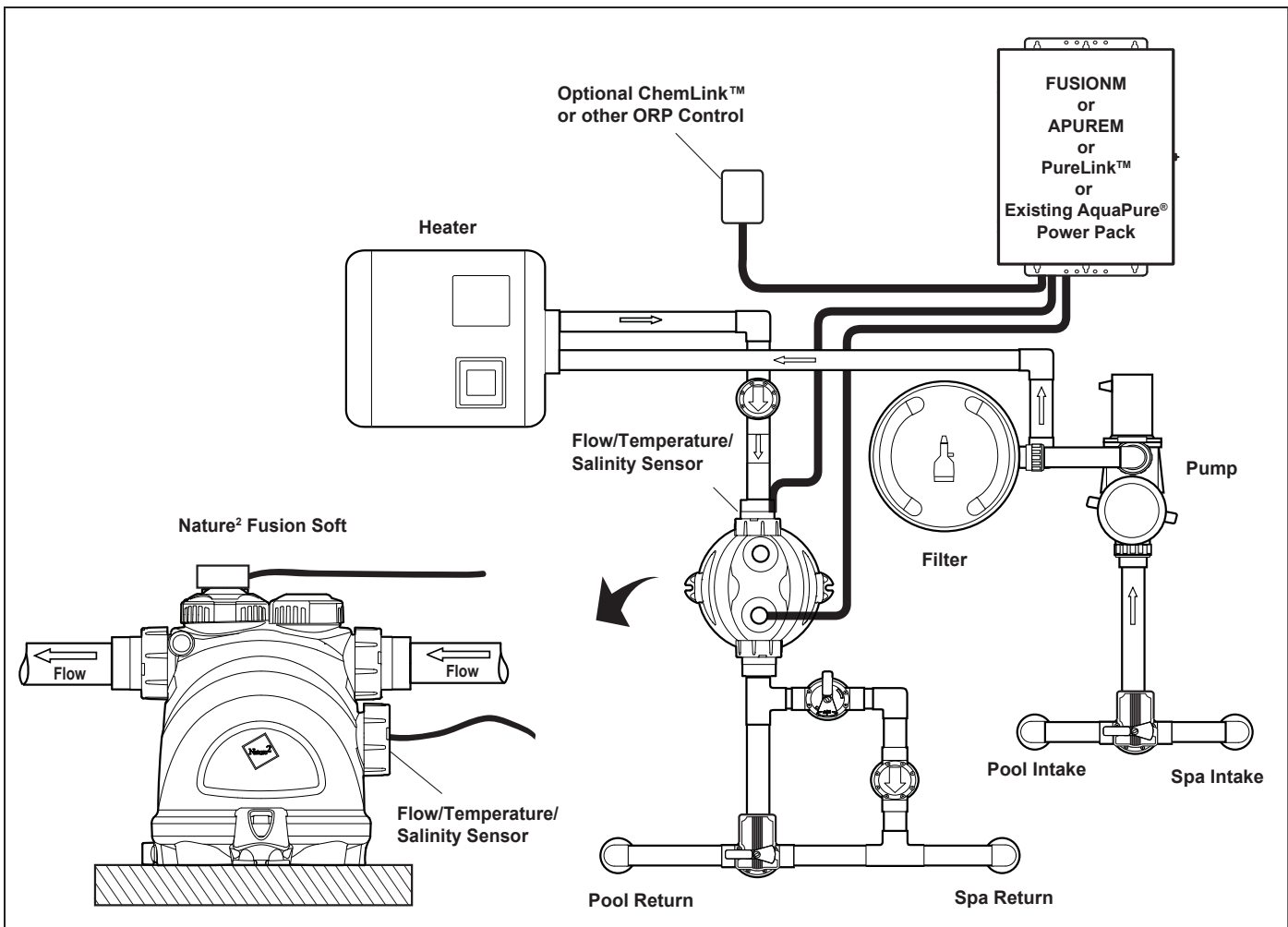


Figure 4. Example of Nature² Fusion Soft Installation With Options

3.5 Bypass Installation

If plumbing size is greater than 2" (5 cm) diameter or if flow rates are greater than 120 gpm (450 lmp), the vessel **MUST** be plumbed on by-pass (see Figure 5). It is recommended that 2" (5 cm) PVC Schedule 40 pipe is used to plumb the by-pass line. A control valve must be installed to regulate the flow through the vessel. It can be installed on the inlet side of the vessel or between the inlet and discharge side of the bypass piping.

1. Make sure the pool pump is turned off.
2. Remove the temporary cap on the cartridge side of the vessel, and install the Nature² start-up cartridge included in the box. Do not throw out the cap. It will be used for winterization of the system.
3. Locate a suitable section of pipe in the by-pass line to install the vessel, approximately 17" (43 cm) long, that conforms to the installation requirements outlined in Section 3.2.
4. Cut out a 13⁷/₈" (35 cm) section of the 2" (5 cm) pipe to insert the vessel (see Figure 3).
5. Install tees in the return line to allow water to be diverted to the Nature² Fusion Soft.
6. Connect the bypass line from the first tee to the inlet of the vessel and from the outlet of the vessel to the second tee.

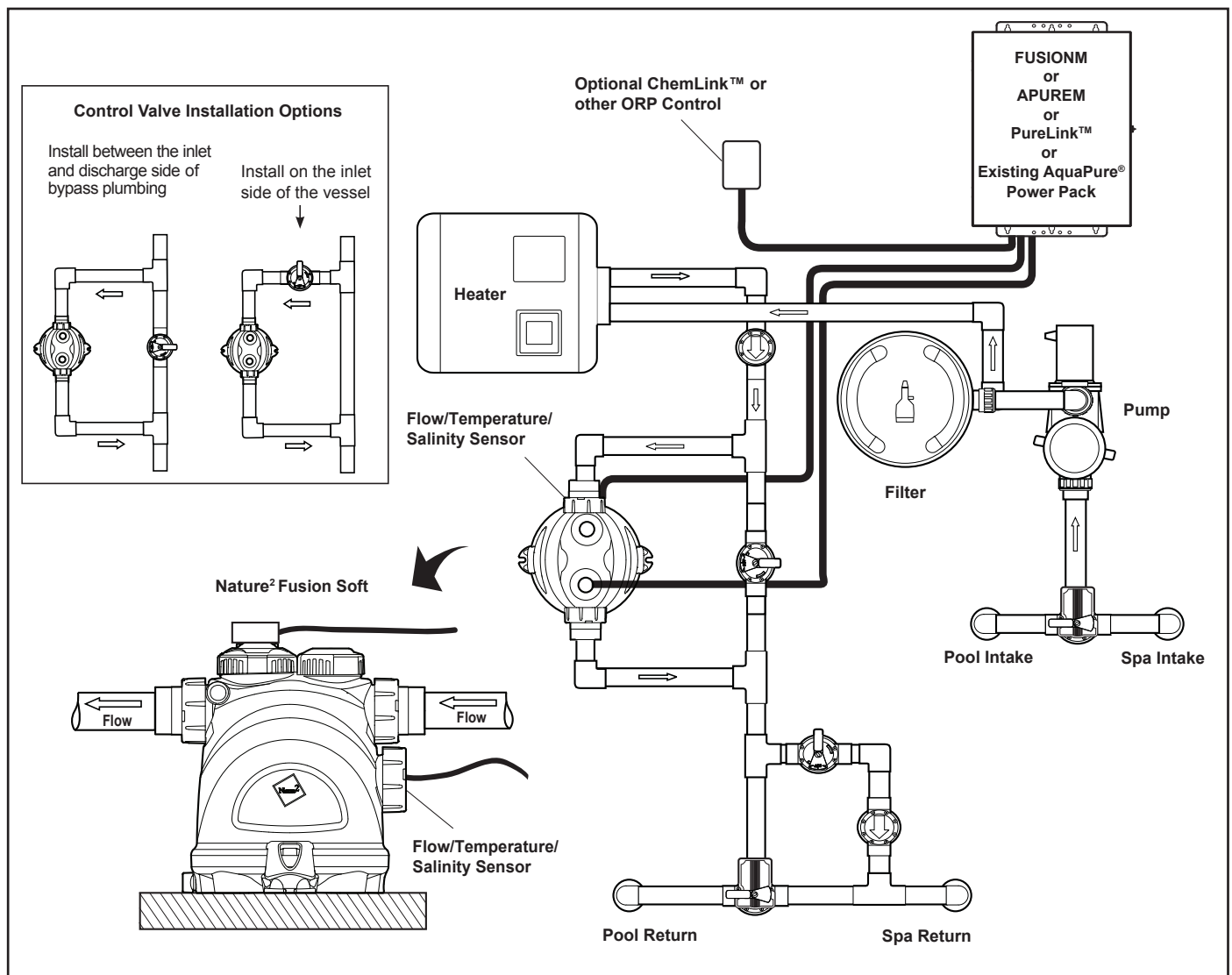


Figure 5. Example of Bypass Installation

7. Install a control valve in the return line between the first and second tee or prior to the vessel inlet on the bypass line to control the water flow through the bypass.
8. Hand tighten all unions, sensors, and collars.

CAUTION

Be careful not to get finger caught between inlet union and plug when tightening as this may cause an injury.

9. Fully open any closed valves, including the control valve, and start the pump diverting water through the new bypass.
10. Check the vessel and system for leaks.
11. Adjust control valve so that flow rate through the vessel is between a minimum of 30 gpm (114 lpm) and a maximum of 120 gpm (455 lpm).

3.6 Split-Return Installation

If the vessel is used with a water feature line system, it must be installed in a split-return configuration or vessel damage may occur.

1. Make sure the pool pump is turned off.
2. Remove the temporary cap on the cartridge side of the vessel, and install the Nature² start-up cartridge included in the box. Do not throw out the cap. It will be used for winterization of the system.
3. Locate a suitable section of pipe to install the vessel that conforms to the installation requirements outlined in Section 3.2.
4. Install a 3-way valve in the return line to allow water to be diverted/restricted to the Nature² Fusion Soft and water feature line.
5. Fully open any closed valves, including the 3-way, to allow unrestricted flow to the Nature² Fusion Soft and water feature line.
6. Hand tighten all unions, sensors, and collars.

CAUTION

Be careful not to get finger caught between inlet union and plug when tightening as this may cause an injury.

7. Start the pump and allow water to pass through the newly plumbed system. Check for any leaks.
8. Make sure the flow rate to the Nature² Fusion Soft does not drop below 30 gpm (114 lmp).

3.7 Installing the FUSIONM or AquaLink® RS PureLink™

CAUTION

The control/power center is not to be considered as suitable for use as service equipment. Therefore, it is required to have the appropriate means of disconnection, circuit isolation, and/or branch circuit protection installed **upstream** of the power center.

NOTE The control/power center should be located at or near the equipment pad.

1. Locate the control/power center at least five (5) feet or more away from pool/spa and five (5) feet off the ground. All national, state, and local codes are applicable.

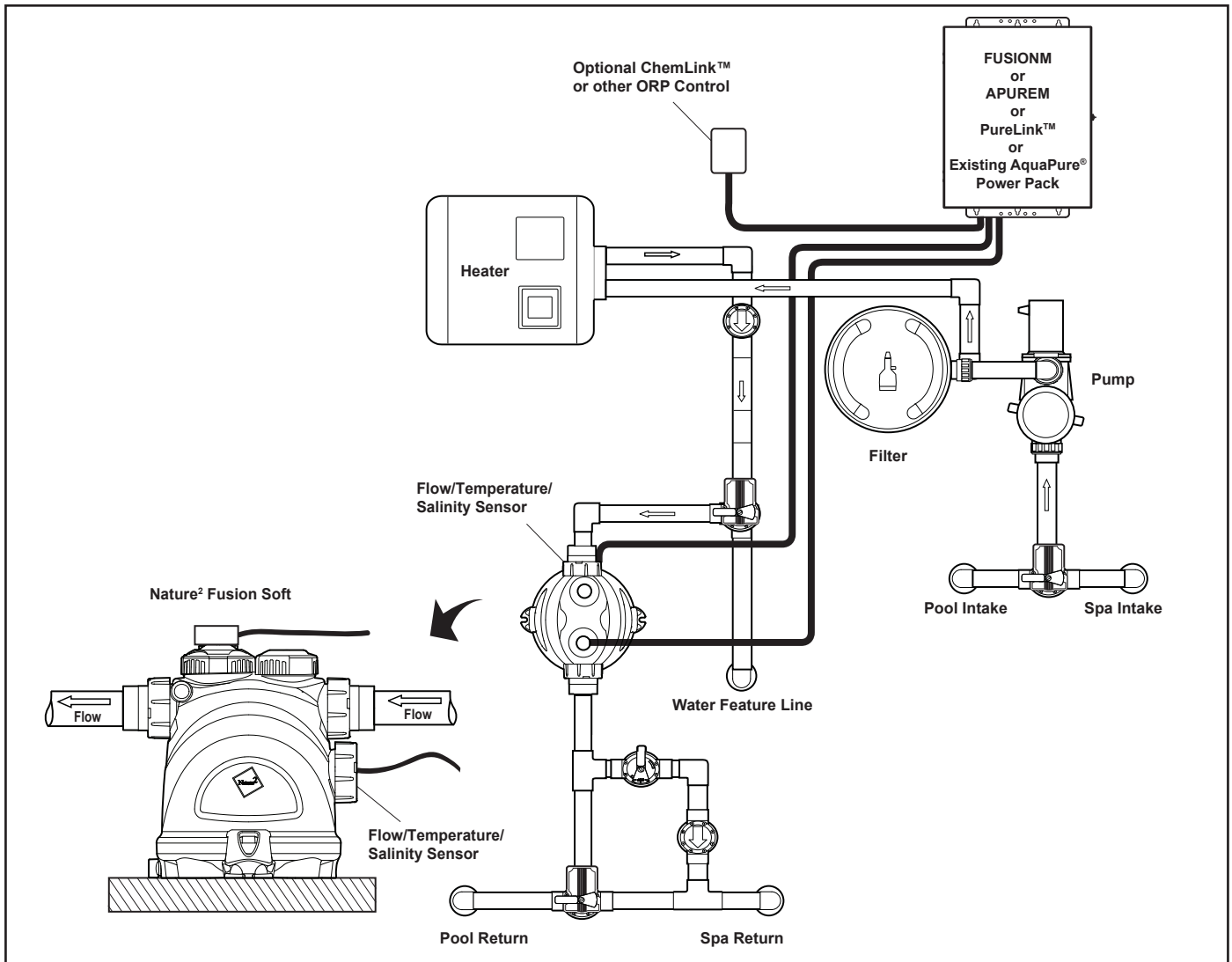


Figure 6. Nature² Fusion Soft Split-Return Installation

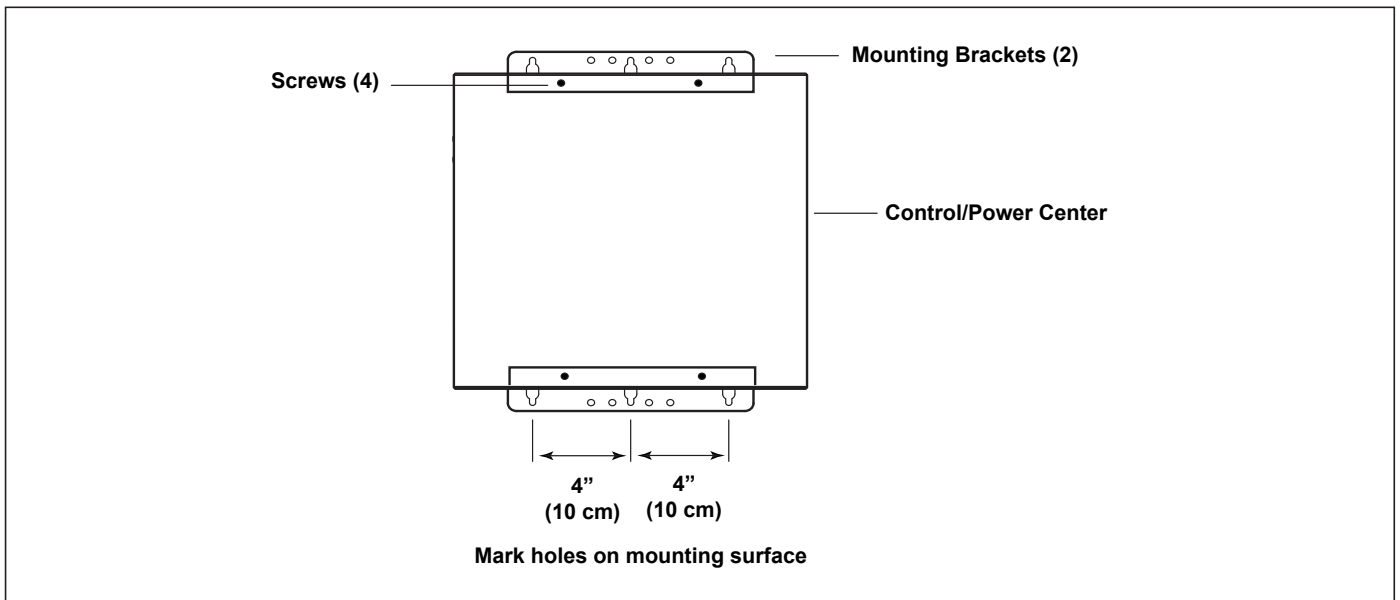


Figure 7. Power Pack Installation

- The control/power center comes with two (2) full length, heavy duty mounting brackets *fastened* to the back of the power center during shipping. Remove the four (4) screws that are holding the two (2) brackets and the cardboard shipping cover in place (see Figure 7). Remove and discard the cardboard.
- Using the top mounting bracket as a guide, mark three (3) holes on the mounting surface where the power center will be installed. Drill the holes in the mounting surface.

NOTE The three (3) mounting holes are 4" (10 cm) apart center to center.

NOTE Use heavy-weight screws. The power center with all available components installed weighs approximately 30 pounds.

- Reinstall the mounting brackets to the top and bottom of the back of the control/power center using the four (4) screws that were removed in *Step 2*. Ensure that the brackets are rotated from the original shipping position.
- Hang the power pack on the surface using the three (3) holes drilled in *Step 3*. With the control/power center in place, mark three (3) holes for the bottom bracket mounting.

NOTE As with the top brackets, the bottom bracket requires three (3) mounting holes. The three (3) mounting holes are 4" (10 cm) apart center to center.

- Drill the holes and install the screws.
- Level the control/power center and tighten all screws, ensuring that the control/power center is securely fastened to the mounting surface.
- Check source voltage. (All units are factory wired for 240 VAC). ***In order to use on 120 VAC, the internal factory wiring of the power center must be changed. (see Figure 11 and Figure 13).***

3.8 Grounding and Bonding

A solid, copper # 8 awg (8.4 mm²) wire is *recommended* for connecting the control/power center to a permanent earth ground connection that is acceptable to the local inspection authority. Refer to your local codes for the acceptable grounding wire gauge.

The National Electrical Code® (NEC®) requires pool equipment to be bonded to each other. Check your local codes to determine if the NEC and/or other local installation codes are enforced by the Authority Having Jurisdiction (AHJ). A solid, copper # 8 AWG (8.4 mm²) wire is recommended, per the NEC, for bonding the power pack to a permanent bonding connection that is acceptable to the local AHJ. Refer to your locally enforced codes for the acceptable bonding wire gauge. Attach the bonding point located on the bottom of the chassis backplate to a common earth bonding point. Do not use the power pack as the common bonding point. Each piece of non-related pool equipment requiring a ground should also be bonded to the common, approved earth bonding point. Never ground a pool pump to the chassis backplate.

3.9 Model Re-Configuration

The Nature² Fusion Soft power interface board is configured as a Nature² Fusion Soft 1400 model by factory default.

IMPORTANT

If installing a Nature² Fusion Soft 700 model the power interface board **MUST** be re-configured.

To configure the board as a Nature² Fusion Soft 700 model, use cutting pliers to cut the JL1 jumper as shown in Figure 8.

⚠ CAUTION

If the power interface board is not re-configured, the life of your Nature² Fusion Soft will be shortened.

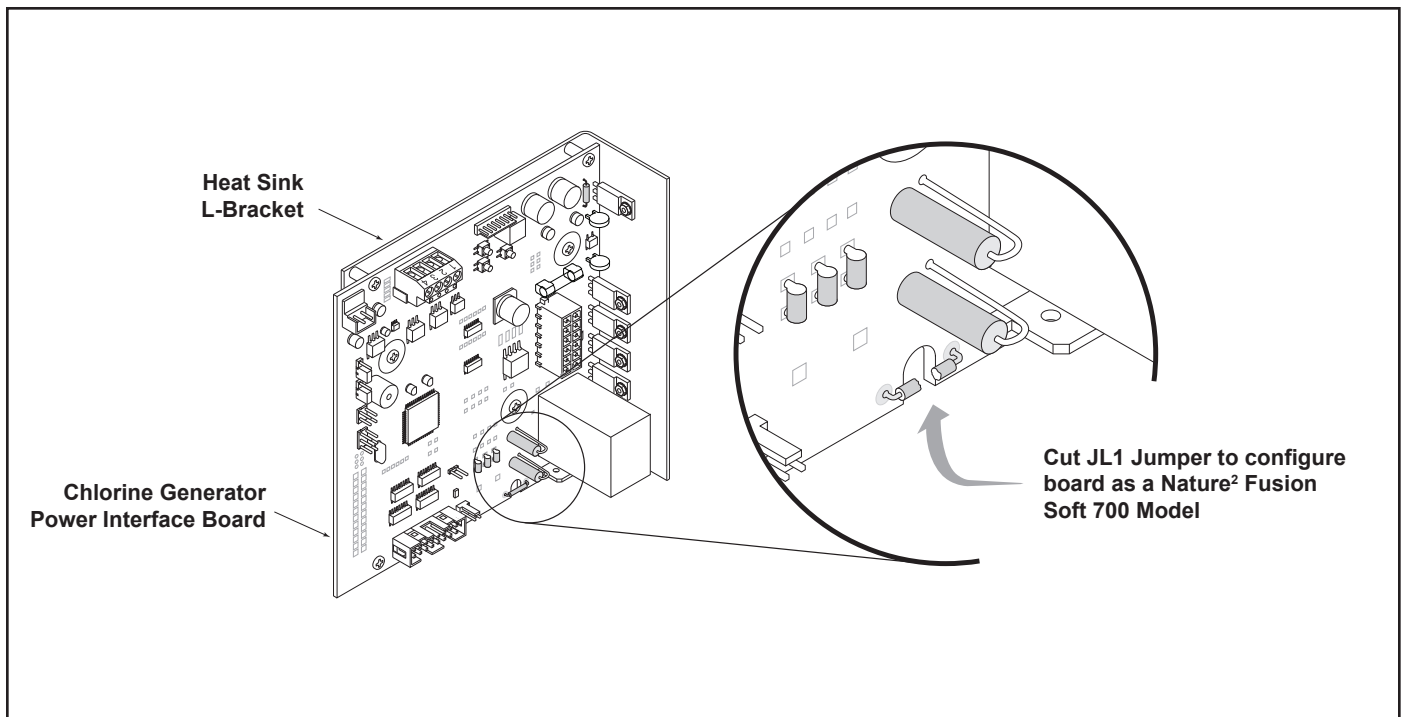


Figure 8. Installation of the User Interface

3.10 Installation of the Chlorine Generator Device User Interface on an AquaLink® RS or PDA Bezel

1. On the chlorine generator user interface board, connect one end of the ribbon cable to the 16-pin J1 connector as shown in Figure 9.
2. Connect the other end of the ribbon cable to the power interface 16-pin J1 connector.
3. Attach the chlorine generator user interface board to the bezel using the four (4) screws provided.

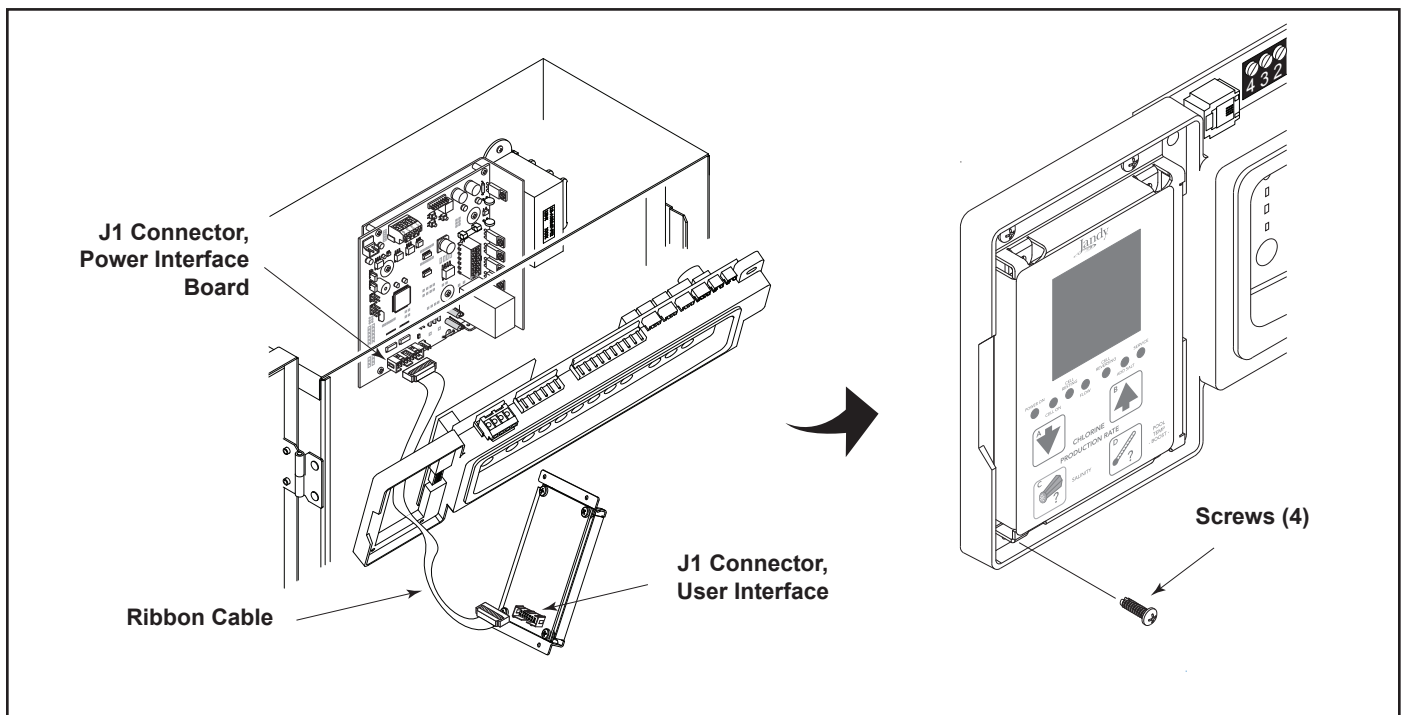


Figure 9. Installation of the User Interface

3.11 Connecting the Nature² Fusion Soft Vessel and Flow/Temperature/Salinity Sensor

⚠ WARNING

ATTENTION INSTALLER: If the flow/temp/salinity sensor is not installed properly, it may allow the vessel to operate without water flow. This would cause a buildup of flammable gases resulting in FIRE or EXPLOSION.

- Mount as shown in Figure 10. This will result in the most reliable operation.
- **IMPORTANT!** Anytime the flow/temp/salinity sensor is connected or disconnected and reconnected, the AC power to the unit must be turned off and back on (Cycle Power). If power is not cycled, unreliable operation of the flow/temp/salinity sensor will result.

1. Be sure pool pump is turned off.
2. Install the flow/temp/salinity sensor into the vessel (see Figure 10).
3. Install the strain relief provided with the vessel kit into the low voltage knock out at the power pack. Feed the connector end of the flow/temp/salinity sensor cable through the DC cord strain relief fitting. **Be certain the connector is clean and dry**, then plug the cable into the connector on the power center printed circuit board as shown in Figure 11, Figure 12 and Figure 13. **(Do not pull flow/temp/salinity sensor cable too tight, allow some slack).**
4. Plug the DC cord into the cell stud terminals protruding from the cell top at the Nature² Fusion Soft vessel. The DC cord can be plugged into the cell in either direction.
5. Connect the DC cord to the power center. Feed the DC cord through the same strain relief fitting as the flow/temp/salinity sensor at the power pack. Plug the DC cord into the two (2) spade connectors of the wiring harness located in the low voltage raceway of the control/power center, see Figure 11, Figure 12 and Figure 13. This wiring harness establishes the connection between the cell and the power interface board.

⚠ CAUTION

To avoid risk of damage to the equipment and possible injury, it is important to make sure the DC cable connector is fully seated on the cell electrolytic stud terminals.

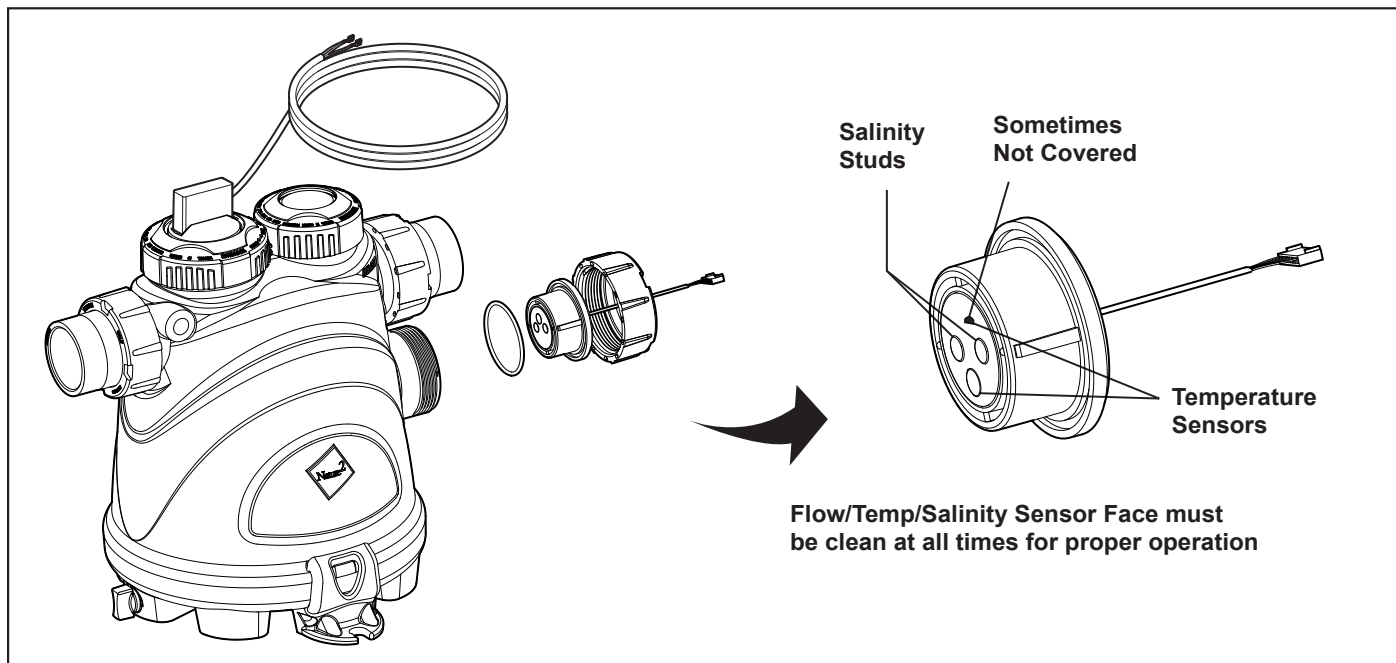


Figure 10. Vessel Installation and Flow/Temperature/Salinity Sensor

- Tighten strain relief fitting screws for the flow/temp/salinity sensor and the DC cord. **Do not pull flow/temp/salinity sensor cable or DC cord too tight. Allow some slack cable inside of power pack enclosure.**

⚠ CAUTION

Do not over-tighten the strain relief fitting. Over-tightening can cause damage to the flow/temp/salinity sensor cable.

- Prior to reattaching the front cover, check the wiring. Be sure the flow/temp/salinity sensor is plugged in. The DC cord should be plugged in. Also, check the AC wiring.
- If the ribbon cable connecting the user interface to the power interface board was disconnected during installation then reconnect before reattaching cover (see Figure 11, Figure 12 and Figure 13).

⚠ WARNING

Do not operate the electrolytic cell without water circulation. A buildup of flammable gases will result in FIRE or EXPLOSION.

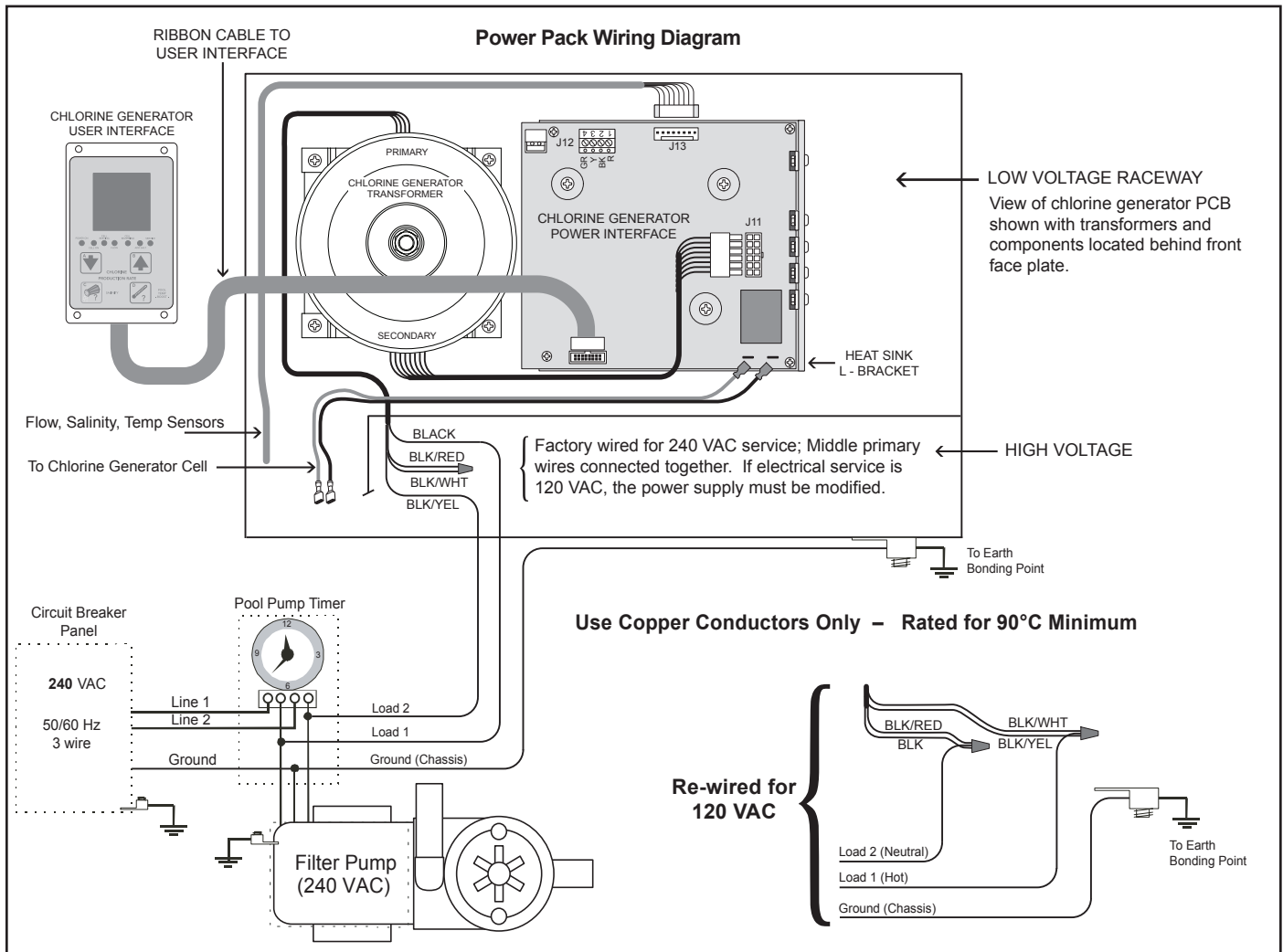


Figure 11. Wiring Diagram for the Power Pack

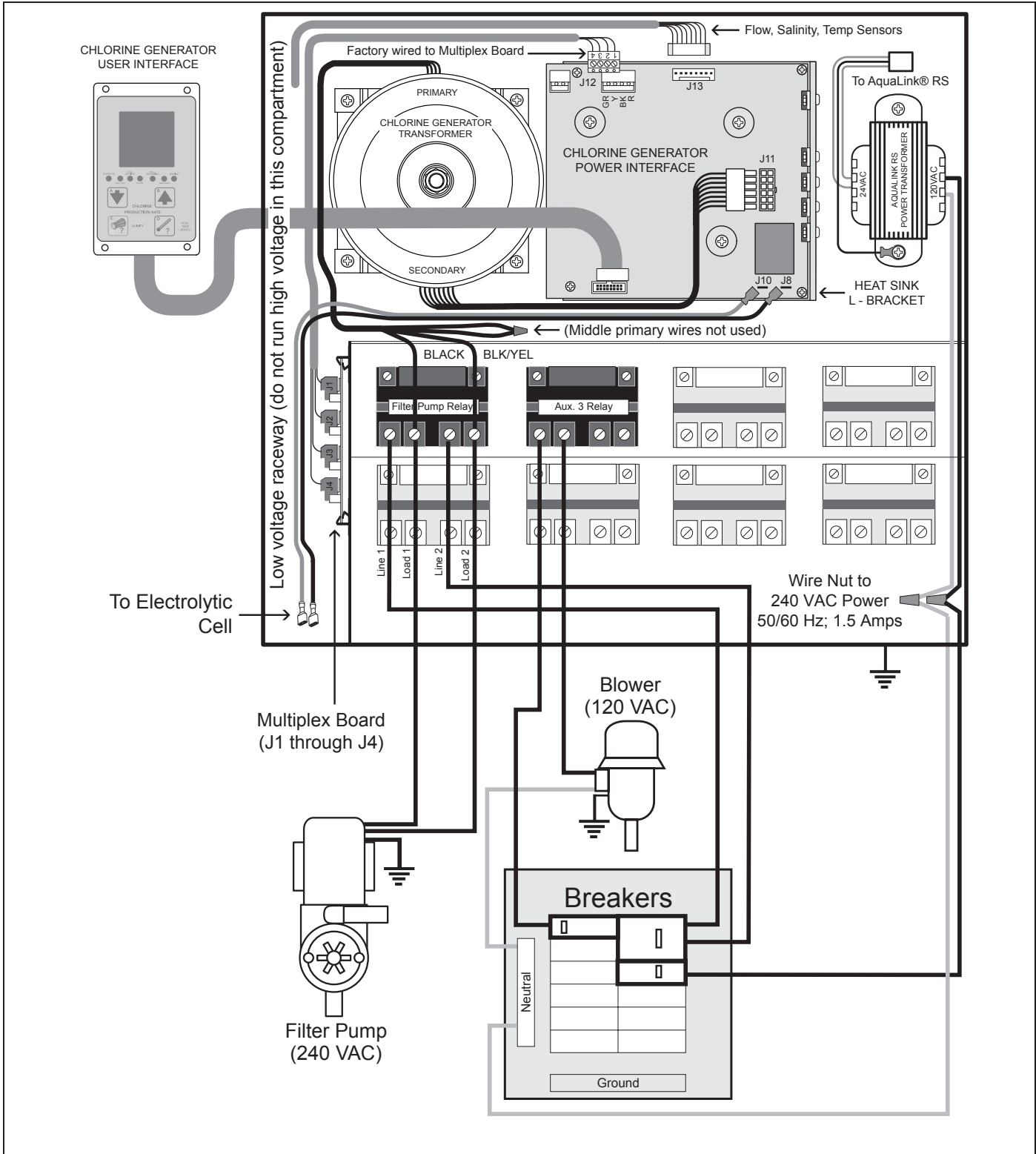


Figure 12. Wiring Diagram for the AquaLink® RS PureLink™ System with connection to 240 VAC Filter Pump

3.12 Connection to the AquaLink® RS Control System

The Jandy® AquaLink RS is a multi-function pool controller that can fully control the function of the Nature² Fusion Soft chlorine generator. The chlorine generator user interface will display “JA” when any of its buttons are pressed while the AquaLink RS is in control. Adjustment of the chlorine production rate or Boost mode can be controlled from the main menu of the AquaLink RS controller (All Button, OneTouch™, or PDA). Boost mode can also be activated from the chlorine generator user interface while the AquaLink RS is online. Refer to the *AquaLink RS Operation Manual* (or *AquaLink RS PDA Operation Manual*) for more information. The chlorine generator’s user interface will display temperature, salinity, service codes, and LED indicators as normal.

NOTE The Nature² Fusion Soft and PureLink™ electronics will communicate with AquaLink RS using firmware versions JJ or later.

3.12.1 Wiring Nature2 Fusion Soft Power Pack to a Jandy AquaLink RS

In the AquaLink RS power center enclosure, wire the Nature² Fusion Soft power pack input power *directly* to the LOAD SIDE of the filter pump relay (see Figure 14).

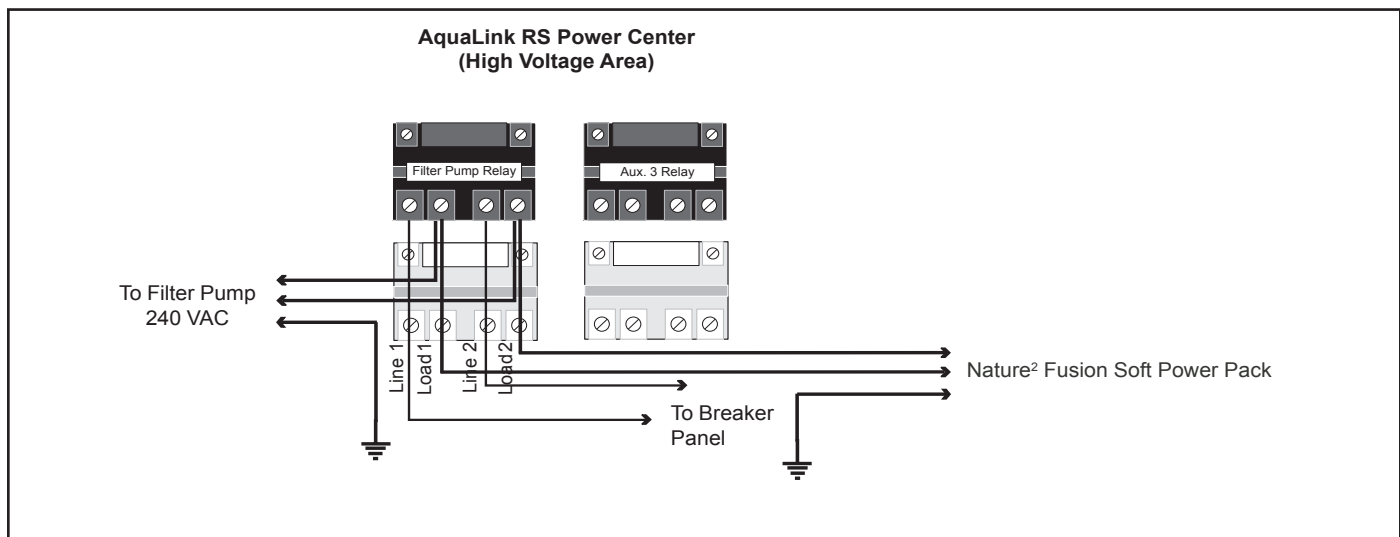
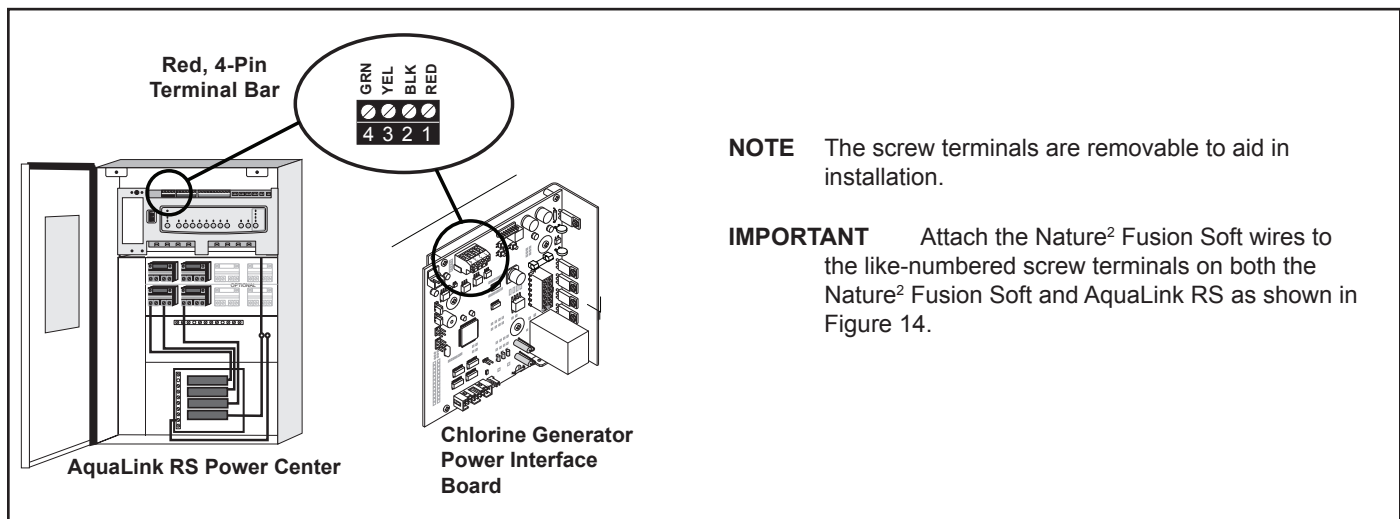


Figure 14. Power connection between AquaLink RS enclosure and Nature² Fusion Soft enclosure.

The Jandy AquaLink RS and Nature² Fusion Soft use a four (4) wire connection to communicate and can be wired up to 500 feet (150 m) apart. Any outdoor rated four (4) conductor cable, minimum 22 AWG, can be used. Locate the appropriate screw terminals on the circuit board according to Figure 15. Wire the Nature² Fusion Soft from the red 4-pin terminal bar to the AquaLink RS red 4-pin terminal bar.



NOTE The screw terminals are removable to aid in installation.

IMPORTANT Attach the Nature² Fusion Soft wires to the like-numbered screw terminals on both the Nature² Fusion Soft and AquaLink RS as shown in Figure 14.

Figure 15. Wiring Nature² Fusion Soft Control Center to an AquaLink RS Control System

3.12.2 Connection of PureLink™ Chlorine Generator Electronics to a Jandy® AquaLink® RS

The chlorine generator electronics in the PureLink power center and the AquaLink RS controller require a four (4) wire connection to communicate. Any outdoor rated four (4) conductor cable, minimum 22 AWG, can be used. Locate the appropriate screw terminals on the circuit board according to Figure 16a and Figure 16b. Wire the chlorine generator power interface board from the red 4-pin terminal bar to the AquaLink RS red 4-pin terminal bar. See Figure 16a.

Wire the PureLink power center transformer to the load side of the filter pump relay. See Figure 12 and Figure 13.

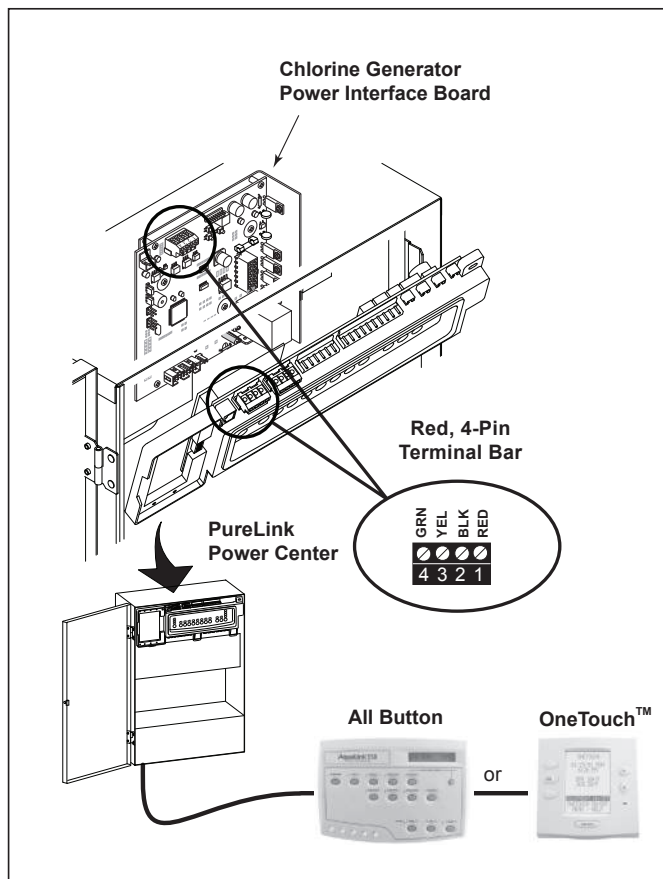


Figure 16a. Wiring a PureLink Control System Network

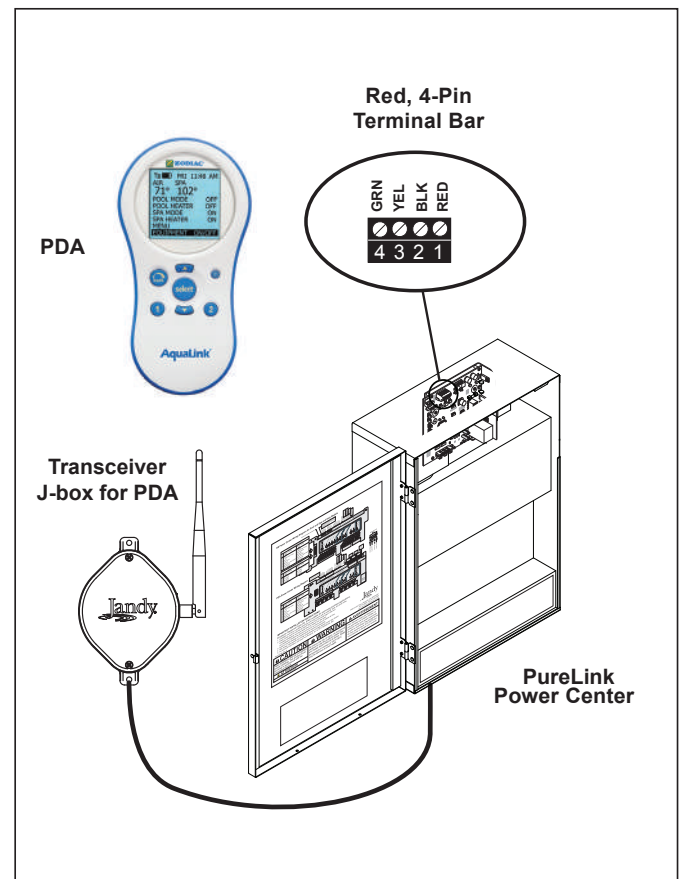


Figure 16b. Wiring a PDA Control System Network

3.13 Operation of External Control/ORP Control Board

An external device such as an ORP (Oxidation Reduction Potential) controller supplying 24 Volts AC can be used to control the output of the chlorinator. The chlorinator control board can be set up in the field to operate in two (2) different modes. The mode of operation is determined by the position of a movable jumper J14. See Figure 17 for location.

POS-1 Wait at least one (1) minute after applying power. See note 1.

With J14 jumper set to POS-1 and no voltage applied to the ORP 24 VAC connector J15, the chlorinator works normally displaying the production rate of 0% to 100% on the front of the power supply.

When 24 Volts AC is applied to the ORP 24 VAC inputs, chlorine production will be disabled.

The front panel of the power supply will then flash “EC” (external control). Once the 24 Volts AC input is removed the chlorine generator will return to normal operation. The “EC” will be replaced with the current production setting of 0% to 100%.

POS-2 Wait at least one (1) minute after applying power. See note 1.

Placing the jumper in POS-2 allows the chlorinator to operate in the opposite way to POS-1. With 24 Volts AC applied to the ORP 24 VAC inputs, chlorine production will be enabled. The front panel of the power supply will display a production rate of 0% to 100%. When the 24 Volts AC is removed the chlorine generator will flash “EC” every few seconds and chlorine production is disabled.

SUMMARY

POSITION OF J14	24 VAC	0 VAC
POS-1 (default)	Unit OFF , displays EC	Unit ON , displays 0-100%
POS-2	Unit ON , displays 0-100%	Unit OFF , displays EC

Note 1 The unit samples the external control/ORP settings at the instant power is applied to the chlorinator and will not respond to any changes during the first minute of operation. The unit may appear to be STUCK IN or STUCK OUT of “EC” mode. Wait several minutes until the unit has warmed up to verify the changes made to external control set-up.

Note 2 Unlike the previous production models with ORP control, multiple chlorinators can be linked together to be controlled with one ORP controller without the use of external relays and transformers. Contact the factory for more information.

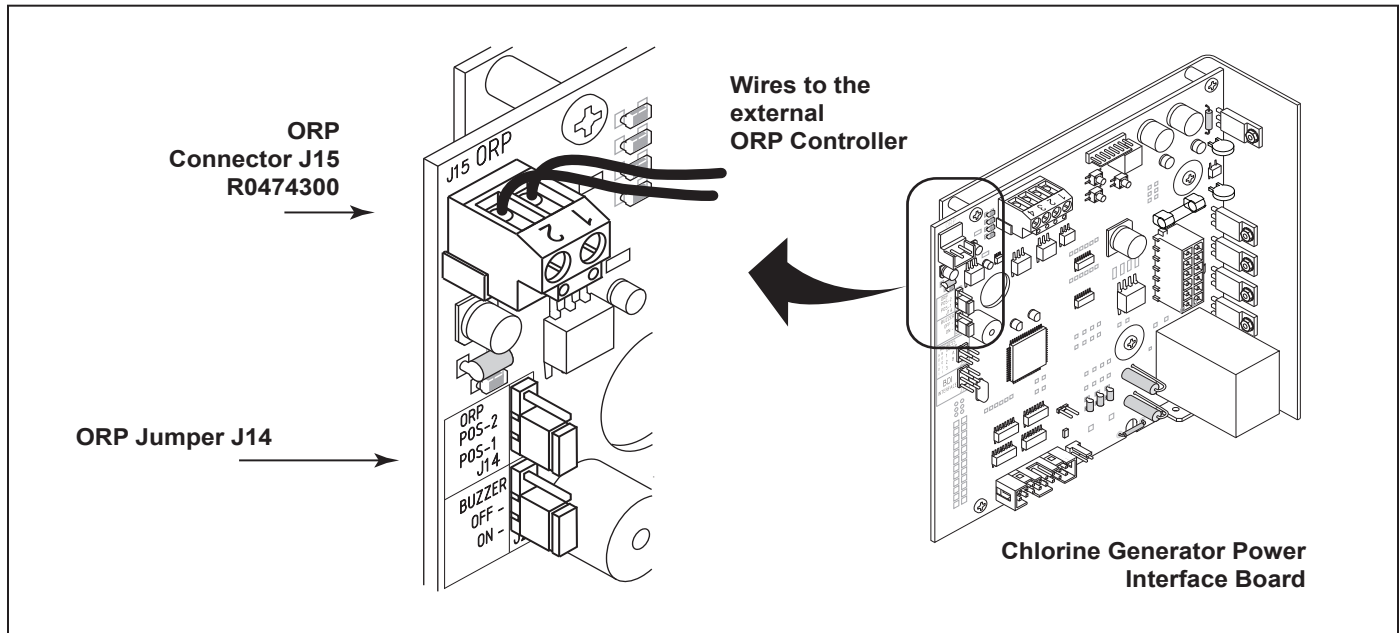


Figure 17. Movable ORP Jumper J14

Section 4. Pool Water Preparation

4.1 Determining Pool Size (Gallons of Water in Your Pool)

- **Rectangular Pools**
Average length (feet) x average width (feet) x average depth (feet) x 7.5 = gallon capacity.
- **Circular Pools**
Diameter (feet) x diameter (feet) x average depth (feet) x 5.9 = gallon capacity.
- **Oval Pools**
Long diameter (feet) x short diameter (feet) x average depth (feet) x 5.9 = gallon capacity.
- **Sloping Sides**
Multiply total gallons by 0.85 = gallon capacity.

4.2 Determining Pool Size (Litres of Water in Your Pool)

- **Rectangular Pools**
Average length (meters) x average width (meters) x average depth (meters) x 1000 = litres capacity.
- **Circular Pools**
Diameter (meters) x diameter (meters) x average depth (meters) x 790 = litres capacity.
- **Oval Pools**
Long diameter (meters) x short diameter (meters) x average depth (meters) x 790 = litres capacity.
- **Sloping Sides**
Multiply total litres by 0.85 = litres capacity.

4.3 Selecting Cartridge Size

Fusion Soft 700	Fusion Soft 1400
Nature² Mineral Cartridge Required DuoClear[®] 25 or Nature² Fusion 25 #W28000 (single) #W26000 (4-pack) Chlorine Production 0.625 lbs / day (283 gm / day)	Nature² Mineral Cartridge Required DuoClear 45 or Nature² Fusion 45 #W28002 (single) #W26002 (4-pack) Chlorine Production 1.25 lbs / day (567 gm / day)
Residential Pools Up to 12,000 gallons (up to 45,000 litres) (See General Rule of Sizing notes below)	Residential Pools Up to 40,000 gallons (up to 151,000 litres) (See General Rule of Sizing notes below)

General Rule of Sizing: In areas with year-round use and high water temperatures, such as Florida, Texas, Arizona, Las Vegas and Southern California, the following must be considered:

Year Round Use: Up-sizing the Nature² Fusion Soft device or adding more than one unit may be recommended for pools that are close to the maximum size and used year round. Please consult a qualified service representative.

High Water Temperatures: Because chlorine demand increases with the rise of water temperature, adjustments must be made in order to keep up with chlorine demand. In hot summer months, where the water temperature rises above 85°F (30°C), you must increase the pump run time and increase the chlorine production (%).

4.4 Chemistry You Need to Know

- **Chlorine Stabilizer** (cyanuric acid) is needed to maintain proper levels of chlorine. Most unstable chlorine is destroyed by the UV radiation from the sun within two (2) hours. Chlorine stabilizer should be maintained between 10 - 50 ppm. For indoor pools, it is not necessary to add chlorine stabilizer to the swimming pool water.
- **Nitrates** can cause extremely high chlorine demands and will deplete chlorine from your swimming pool. In some cases nitrates may even lower your chlorine levels to zero. Your local qualified service representative can test for nitrates. Make sure nitrates are not present in your pool.
- **Metals** (some metals) can cause loss of chlorine. Also, metals can stain your pool. Have your local qualified service representative check for metals and recommend methods of removal.
- **Chloramines** should not be present in pool water. When organic materials combine with free chlorine, chloramines are formed. This ties up the free chlorine in your pool and does not allow the chlorine in your pool to disinfect. Chloramines also cloud pool water and burn the eyes. Shock to remove chloramines at the initial startup of the pool.
- **Super Chlorination** burns out the organic material that has combined with chlorine. This frees the chlorine for sanitizing. When experiencing heavy swimming loads or heavy rainfall, use the Boost mode to maximize chlorine production.
- **Shocking** (Superoxidation) is also a means of burning out the organic material that has combined with chlorine. This method involves the manual addition of chemicals to quickly raise the level of chlorine. When the chlorine level is quickly raised to 5 - 15 ppm the pool water is said to have been shocked.

NOTE On initial startup of a pool, it is best to shock using an alternate source, i.e., use a shock treatment available at your local pool supplier.

CAUTION

Never use dry acid to adjust pH in arid geographic areas with excessive evaporation and minimal dilution of pool water with fresh water. A buildup of by-products can damage the electrolytic cell.

- The **pH** condition resulting from the operation of the saltwater chlorination system is close to neutral. However, other factors usually cause the pH of the pool water to rise. Therefore, the pH in a pool chlorinated by a saltwater system tends to stabilize at approximately 7.6. If the pool pH rises above 7.6 have a qualified service representative test to see if other factors such as high calcium hardness or total alkalinity are the cause and then balance accordingly.
- **Total Dissolved Solids (TDS)** adding salt to pool water will raise the TDS level. While this does not adversely affect the pool water chemistry or clarity, the pool water professional testing for TDS must be made aware salt has been added for the sanitizing system. The individual performing the TDS test will then subtract the salinity level to arrive at the correct TDS level.
- **New pool water** in a recently filled or newly refinished pool may contain undesirable matter. This undesirable matter could interfere with the saltwater chlorinator's ability to sanitize properly. Make sure the water is tested by a qualified service representative and properly balanced before turning on the chlorinator system. New plaster pools have a constant acid demand for six (6) months. Regular testing and correcting of the pH will reduce the need for manual cleaning of the cell.
- **Sequestering Agents** may be used in some areas where the total hardness of your source water may be unusually high. High total hardness can contribute to scale formation in the pool. Sequestering agents will help keep minerals in solution and under some conditions can prevent this from happening. Consult a qualified service representative about the use of a sequestering agent.

4.5 Optimum Pool Water Conditions

In accordance with Association of Pool and Spa Professionals® (APSP) standards, we recommend the following water balance conditions be maintained on an on-going basis to protect the pool finish and equipment and ensure the pleasing appearance of the water. The Nature² Fusion Soft is warranted to operate properly only if these conditions are met.

Free Chlorine	0.5 - 3.0 ppm. Continuous exposure to levels above 3.0 ppm may cause corrosion of pool metals. Refer to Section 6.2 for Chlorine Testing Procedure.
Combined Chlorine (Chloramines)	None (Super chlorinate to remove all chloramines.)
pH	7.4 - 7.6 (Use muriatic acid to lower pH and soda ash to raise pH.)
Chlorine Stabilizer (Cyanuric Acid)	10 - 50 ppm (For outdoor pools only.)
Total Alkalinity	80 - 120 ppm.
Calcium Hardness	175 - 400 ppm.
Metals (Iron, Manganese)	None.
Nitrates	None.
Phosphates	None.

4.6 Salt (NaCl Sodium Chloride)

4.6.1 When to Add Salt

Add salt to the pool if the salt is too low (see Table 1). For a new pool or newly resurfaced pool it is recommended to wait at least 30 days (surface should be completely cured) before adding salt. Follow the pool surface manufacturer's guidelines for your particular pool. For vinyl and fiberglass pools, salt can be added at start up.

4.6.2 What Type of Salt to Use

- The purer the salt the better the life and performance of the electrolytic cell. Use a salt that is at least 99.8% pure NaCl. The ideal salt is an evaporated, granulated, food quality, non-iodized salt. Consult your salt supplier.
- Avoid using salt with anti-caking agents (sodium ferrocyanide, also known as YPS or yellow prussiate of soda) that could cause some discoloration of fittings and surface finishes in pool.
- Water conditioning salt pellets are compressed forms of evaporated salt and may be used but will take longer to dissolve.
- **Do not** use calcium chloride as a source of salt. (Use sodium chloride only.)
- **Do not** use rock salt (insoluble impurities mixed with the rock salt can shorten the life of the unit).

4.6.3 How Much Salt to Use

Use Table 1 to determine how much salt will be needed. Most pools contain some salt depending on the water source and chemicals used for sanitizing. If the saltwater chlorinator has not been wired and turned on yet, a salt test strip or a hand held meter calibrated for NaCl (salt) can be used to determine the existing salt concentration of the water. If the unit is wired (connected), use it to determine the salinity. Water temperature can affect the salinity readout, always test salinity at the equipment locations.

Set chlorine production to 00%. Operating the unit above 00% production without salt will damage the electrolytic cell. The **Salinity** button **C** on the sanitizer user interface keypad can be used to determine salinity in the case of a new pool installation, or a complete water change so long as the chlorine production is set to 00%. See *Section 5.4.2, step 2*.

- 3,000 - 3,500 ppm of salt is recommended for optimum water conditions.
- Low salt concentration below 2,000 ppm will cause premature cell failure.
- High salt concentration above 4,000 ppm may damage the power center.
- High salt concentration above 6,000 ppm may cause corrosion damage to pool fixtures.

NOTE Should too much salt be inadvertently added to the pool see *Section 7, Troubleshooting*.

4.6.4 How to Add Salt to the Pool?

1. Turn on pump to circulate pool water.

IMPORTANT Turn the chlorine production off by pressing the arrow button A and setting CHLORINE PRODUCTION rate to 00%.

2. Test the water for salinity level using test strips, electronic meter, or by your local qualified service representative.
3. Use the Table 1 to determine the amount of salt to add. Be conservative when adding salt as it is easier to add more if needed than it is to dilute if there is too much salt.
4. Broadcast salt into pool. Do not add through skimmer, main drain, or surge tank. Brush the salt around the pool to facilitate dissolving. Circulate filter system for 24 hours to ensure even distribution.
5. After 24 hours, verify correct salt reading.
6. Turn on the system and set to desired chlorine production rate (pressing the arrow buttons **A** or **B**).

NOTE For a new pool or newly resurfaced pool it is recommended to wait at least 30 days (surface should be completely cured) before adding salt. Follow the pool surface manufacturers guidelines for your particular pool. For vinyl and fiberglass pools, salt can be added at start up.

Table 1. Approximate Pounds and Kilograms of Salt Needed to Obtain 3.0 gpl (3,000 ppm)

Salt Conc. Before Addition ppm	Pool Size US Gallons (Litres)									
	10,000 g (38,000 L)	12,000 g (45,000 L)	14,000 g (53,000 L)	16,000 g (60,000 L)	18,000 g (68,000 L)	20,000 g (76,000 L)	22,000 g (83,000 L)	24,000 g (91,000 L)	26,000 g (98,000 L)	28,000 g (106,000 L)
000	250 lbs (113 kgs)	300 lbs (136 kgs)	350 lbs (159 kgs)	400 lbs (181 kgs)	450 lbs (204 kgs)	500 lbs (227 kgs)	550 lbs (249 kgs)	600 lbs (272 kgs)	650 lbs (295 kgs)	700 lbs (318 kgs)
250	230 lbs (104 kgs)	280 lbs (127 kgs)	320 lbs (145 kgs)	370 lbs (168 kgs)	415 lbs (188 kgs)	460 lbs (209 kgs)	510 lbs (231 kgs)	550 lbs (249 kgs)	600 lbs (272 kgs)	645 lbs (293 kgs)
500	210 lbs (95 kgs)	250 lbs (113 kgs)	295 lbs (134 kgs)	340 lbs (154 kgs)	380 lbs (172 kgs)	420 lbs (191 kgs)	460 lbs (209 kgs)	505 lbs (229 kgs)	545 lbs (247 kgs)	590 lbs (268 kgs)
750	190 lbs (86 kgs)	230 lbs (104 kgs)	270 lbs (122 kgs)	300 lbs (136 kgs)	340 lbs (154 kgs)	380 lbs (172 kgs)	420 lbs (191 kgs)	460 lbs (209 kgs)	495 lbs (225 kgs)	530 lbs (240 kgs)
1000	165 lbs (75 kgs)	200 lbs (91 kgs)	230 lbs (104 kgs)	265 lbs (120 kgs)	300 lbs (136 kgs)	330 lbs (150 kgs)	360 lbs (163 kgs)	400 lbs (181 kgs)	430 lbs (195 kgs)	460 lbs (209 kgs)
1250	145 lbs (66 kgs)	175 lbs (79 kgs)	200 lbs (91 kgs)	230 lbs (104 kgs)	260 lbs (118 kgs)	290 lbs (132 kgs)	320 lbs (145 kgs)	350 lbs (159 kgs)	380 lbs (172 kgs)	410 lbs (186 kgs)
1500	125 lbs (57 kgs)	150 lbs (68 kgs)	175 lbs (79 kgs)	200 lbs (91 kgs)	225 lbs (102 kgs)	250 lbs (113 kgs)	275 lbs (125 kgs)	300 lbs (136 kgs)	325 lbs (147 kgs)	350 lbs (159 kgs)
1750	105 lbs (48 kgs)	130 lbs (59 kgs)	150 lbs (68 kgs)	170 lbs (77 kgs)	190 lbs (86 kgs)	210 lbs (95 kgs)	230 lbs (104 kgs)	250 lbs (113 kgs)	275 lbs (125 kgs)	295 lbs (134 kgs)
2000	85 lbs (39 kgs)	100 lbs (45 kgs)	120 lbs (54 kgs)	140 lbs (63 kgs)	150 lbs (68 kgs)	170 lbs (77 kgs)	190 lbs (86 kgs)	205 lbs (93 kgs)	100 lbs (45 kgs)	240 lbs (109 kgs)
2250	60 lbs (27 kgs)	70 lbs (32 kgs)	85 lbs (39 kgs)	100 lbs (45 kgs)	110 lbs (50 kgs)	120 lbs (54 kgs)	130 lbs (59 kgs)	145 lbs (66 kgs)	160 lbs (73 kgs)	168 lbs (76 kgs)
2500	40 lbs (18 kgs)	50 lbs (23 kgs)	60 lbs (27 kgs)	65 lbs (29 kgs)	70 lbs (32 kgs)	80 lbs (36 kgs)	90 lbs (41 kgs)	100 lbs (45 kgs)	105 lbs (48 kgs)	110 lbs (50 kgs)
2750	20 lbs (9 kgs)	25 lbs (11 kgs)	30 lbs (14 kgs)	30 lbs (14 kgs)	40 lbs (18 kgs)	40 lbs (18 kgs)	45 lbs (20 kgs)	50 lbs (23 kgs)	50 lbs (23 kgs)	60 lbs (27 kgs)

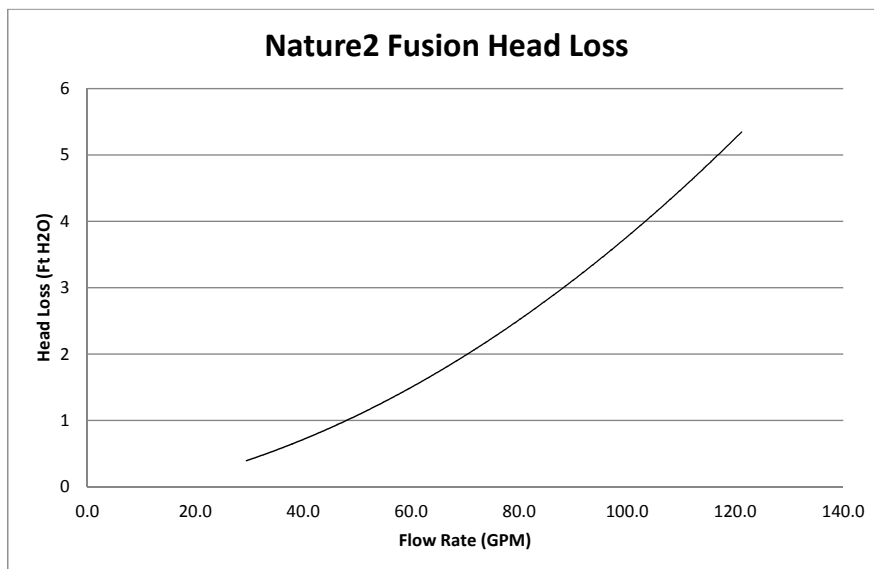
Salt Conc. Before Addition ppm	Pool Size US Gallons (Litres)									
	30,000 g (113,000 L)	32,000 g (121,000 L)	34,000 g (129,000 L)	36,000 g (136,000 L)	38,000 g (144,000 L)	40,000 g (151,000 L)	42,000 g (159,000 L)	44,000 g (166,000 L)	45,000 g (169,000 L)	
000	750 lbs (340 kgs)	800 lbs (363 kgs)	850 lbs (386 kgs)	900 lbs (408 kgs)	950 lbs (431 kgs)	1000 lbs (454 kgs)	1052 lbs (477 kgs)	1102 lbs (500 kgs)	1127 lbs (511 kgs)	
250	690 lbs (313 kgs)	736 lbs (334 kgs)	782 lbs (355 kgs)	828 lbs (376 kgs)	874 lbs (396 kgs)	920 lbs (417 kgs)	963 lbs (437 kgs)	1010 lbs (458 kgs)	1032 lbs (468 kgs)	
500	630 lbs (286 kgs)	672 lbs (305 kgs)	714 lbs (324 kgs)	756 lbs (343 kgs)	796 lbs (362 kgs)	840 lbs (381 kgs)	875 lbs (397 kgs)	917 lbs (416 kgs)	939 lbs (426 kgs)	
750	570 lbs (259 kgs)	608 lbs (276 kgs)	646 lbs (293 kgs)	684 lbs (310 kgs)	722 lbs (327 kgs)	760 lbs (345 kgs)	789 lbs (358 kgs)	827 lbs (375 kgs)	844 lbs (383 kgs)	
1000	495 lbs (225 kgs)	528 lbs (240 kgs)	561 lbs (254 kgs)	594 lbs (269 kgs)	627 lbs (284 kgs)	660 lbs (299 kgs)	701 lbs (318 kgs)	734 lbs (333 kgs)	752 lbs (341 kgs)	
1250	435 lbs (197 kgs)	464 lbs (210 kgs)	493 lbs (224 kgs)	522 lbs (237 kgs)	551 lbs (250 kgs)	580 lbs (263 kgs)	613 lbs (278 kgs)	642 lbs (291 kgs)	657 lbs (298 kgs)	
1500	375 lbs (170 kgs)	400 lbs (181 kgs)	425 lbs (193 kgs)	450 lbs (204 kgs)	475 lbs (215 kgs)	500 lbs (227 kgs)	525 lbs (238 kgs)	551 lbs (250 kgs)	564 lbs (256 kgs)	
1750	315 lbs (143 kgs)	336 lbs (152 kgs)	357 lbs (162 kgs)	378 lbs (171 kgs)	399 lbs (181 kgs)	420 lbs (191 kgs)	439 lbs (199 kgs)	459 lbs (208 kgs)	470 lbs (213 kgs)	
2000	255 lbs (116 kgs)	272 lbs (123 kgs)	289 lbs (131 kgs)	306 lbs (139 kgs)	323 lbs (147 kgs)	340 lbs (154 kgs)	351 lbs (159 kgs)	368 lbs (167 kgs)	375 lbs (170 kgs)	
2250	180 lbs (82 kgs)	192 lbs (87 kgs)	204 lbs (93 kgs)	216 lbs (98 kgs)	228 lbs (103 kgs)	240 lbs (109 kgs)	262 lbs (119 kgs)	276 lbs (125 kgs)	282 lbs (128 kgs)	
2500	120 lbs (54 kgs)	128 lbs (58 kgs)	136 lbs (62 kgs)	144 lbs (65 kgs)	152 lbs (69 kgs)	160 lbs (73 kgs)	176 lbs (80 kgs)	183 lbs (83 kgs)	187 lbs (85 kgs)	
2750	60 lbs (27 kgs)	64 lbs (29 kgs)	68 lbs (31 kgs)	72 lbs (33 kgs)	76 lbs (34 kgs)	80 lbs (36 kgs)	88 lbs (40 kgs)	93 lbs (42 kgs)	95 lbs (43 kgs)	

NOTE Add salt as required to maintain 3.0 gpl concentration.

Table 2. Approximate Pounds and Kilograms of Stabilizer Needed to Obtain 50 ppm

Current Cyanuric Acid Level - ppm	Gallons and (Liters) of Pool/Spa Water							
	10,000 gal (38,000 L)	15,000 gal (57,000 L)	20,000 gal (76,000 L)	25,000 gal (95,000 L)	30,000 gal (113,000 L)	35,000 gal (132,000 L)	40,000 gal (151,000 L)	45,000 gal (170,000 L)
0	4.2 lbs (1.9 kg)	6.3 lbs (2.9 kg)	8.4 lbs (3.8 kg)	10.5 lbs (4.8 kg)	12.6 lbs (5.7 kg)	14.8 lbs (6.7 kg)	16.9 lbs (7.6 kg)	19.0 lbs (8.6 kg)
10	3.4 lbs (1.5 kg)	5.1 lbs (2.3 kg)	6.7 lbs (3.1 kg)	8.4 lbs (3.8 kg)	10.1 lbs (4.6 kg)	11.8 lbs (5.4 kg)	13.5 lbs (6.1 kg)	15.2 lbs (6.9 kg)
20	2.5 lbs (1.1 kg)	3.8 lbs (1.7 kg)	5.1 lbs (2.3 kg)	6.3 lbs (2.9 kg)	7.6 lbs (3.4 kg)	8.9 lbs (4.0 kg)	10.1 lbs (4.6 kg)	11.4 lbs (5.2 kg)
30	1.7 lbs (0.8 kg)	2.5 lbs (1.2 kg)	3.4 lbs (1.5 kg)	4.2 lbs (1.9 kg)	5.1 lbs (2.3 kg)	5.9 lbs (2.7 kg)	6.7 lbs (3.1 kg)	7.6 lbs (3.4 kg)
40	0.8 lbs (0.4 kg)	1.3 lbs (0.6 kg)	1.7 lbs (0.8 kg)	2.1 lbs (1.0 kg)	2.5 lbs (1.2 kg)	3.0 lbs (1.3 kg)	3.4 lbs (1.5 kg)	3.8 lbs (1.7 kg)

NOTE The above chart is for general reference only. The recommended stabilizer reading is between 10 - 50 ppm and will vary dependent on geographic climate. Warm, sunny climates will require a stabilizer reading at the higher end of the given range. Consult your local qualified service representative for your optimum level. Always add stabilizer according to manufacturer's instructions. For indoor pools, it is not necessary to add chlorine stabilizer to the swimming pool water.

**Figure 18. Head Loss Curve**

Section 5. Operating Instructions

NOTE The user interface is located inside the control/power center. To access the control panel, open the door to the control/power center. See Figure 19.

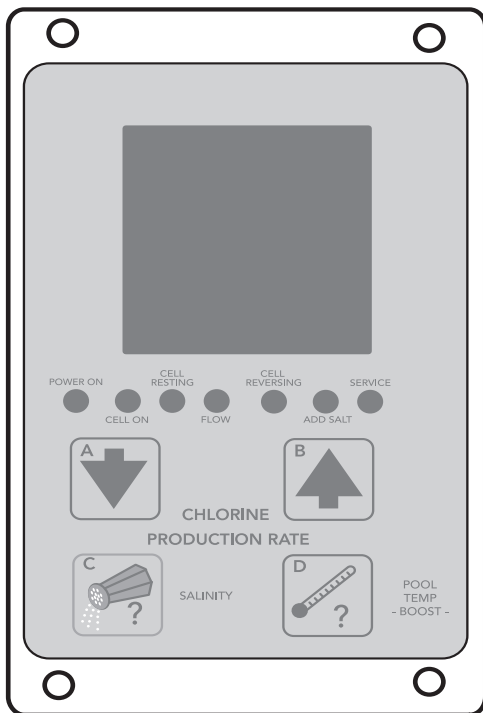


Figure 19. User Interface

NOTE When a pool pump timer is used to limit chlorinator run time, the 24 hours will only count down when the chlorinator is on.

Temperature

Press the POOL TEMP -BOOST- button D to check the pool water temperature. Temperature measurements can be displayed in either Fahrenheit or Celsius. For more information, see Section 8, Temperature Conversion.

Operating User Interface Controls when AquaLink RS Control System is Online

Chlorine Production Rate Adjustment with AquaLink RS Online

The user interface can be used to adjust the output production rate (%) when the saltwater chlorinator system is controlled by the AquaLink RS only when the AquaLink RS is placed into service mode. When the down arrow button A or the up arrow button B is pressed, a JA in the display indicates that the AquaLink RS is controlling the entire system, including the output production rates.

The AquaLink RS Control System must be set to Service Mode before you can change the chlorine production rate from the control/power center user interface.

NOTE The Boost button at the user interface will start Boost cycle whether the AquaLink RS is online or offline.

AquaLink RS Control System

Press the Mode Select button to move the AquaLink RS from Auto Mode into Service Mode. The Service indicator light will turn ON.

5.1 User Interface Controls

Chlorine Production Rate Adjustment

Pressing the down arrow button A or the up arrow button B will change the CHLORINE PRODUCTION RATE in 5% increments. Generally, adjustments to production should be made in 10% increments.

In the PureLink™ system, adjustments to the chlorine production rate can be made from either the AquaLink® RS control panel or from the power center user interface.

Salinity

Press the SALINITY button C to check the salinity of the water in pool.

Boost

Press and hold the POOL TEMP -BOOST- button D for 10 seconds to enter the Boost mode (Note 'bo' will flash intermittently). Boost can be used to set chlorine production to maximum (100%) for 24 hours of operation. After 24 hours of chlorinator run time, chlorine production will return to previous setting. To clear the Boost mode, press and hold the POOL TEMP -BOOST- button D again for 10 seconds.

Press the Valve Select button to choose either Pool Mode to change pool chlorine production, or Spa Mode to change spa chlorine production.

Press the Filter Pump button to turn on the pump and apply power to the sanitizing system.

Control/Power Center User Interface

Press the down arrow button A or the up arrow button B to change the chlorine production rate in 5% increments. Generally, adjustments to production should be made in 10% increments.

AquaLink RS Control System

Press the Mode Select button to put the AquaLink® RS in the Time Out mode.

Press the Mode Select button again to place it back into Auto mode.

NOTE The AquaLink RS control system must be in pool mode to change the pool chlorine production rate setting; and it must be in spa mode to change the spa chlorine production rate setting. Use the valve select button to switch between the two (2) modes. The system must be cycled through SERVICE, TIME OUT, then back to AUTO to accept the Pool Setting versus the Spa Setting.

5.2 Reading the Display

CELL ON

The CELL ON indicator shows that the cell has been turned on. Some reasons for the CELL ON indicator not being on during normal operation, are: CHLORINE PRODUCTION RATE set to 00%, CHLORINE PRODUCTION RATE set to less than 100% and CELL RESTING appears during cell rest period, NO FLOW condition, two (2) minutes before automatic cleaning cycle, low temperature cut off has been activated, or a service related problem such as a salinity level below 2.0 gpl or salinity level too high.

CELL RESTING

During the normal chlorine production cycle when the unit is set for less than 100%, the cell will periodically rest; that is, the unit will not make chlorine. The CELL RESTING indicator shows that the cell has been turned off by the control power center.

FLOW or NO FLOW Indication

When the control/power center determines that water is flowing past the flow/temp/salinity sensor, the FLOW indicator is displayed. When no flow is detected, NO FLOW is displayed on the LCD and the cell is turned off.

CELL REVERSING

The automatic cleaning cycle is in progress. The cleaning cycle is factory set and cannot be adjusted. Cell Reversing does not interrupt the production of chlorine.

SALINITY

Salinity is displayed along with the gpl (grams per liter) indicator, when the SALINITY button (C) is depressed. If a reading of HH appears, the salinity is above 4.5 to 6.5 gpl (depending on pool temperature) and is too high to measure correctly (at normal temperatures). Maintain salinity between 3.0 and 3.5 gpl. See Section 4.

ADD SALT

The ADD SALT indicator comes on when the flow/temp/salinity sensor determines that the salinity level of the pool water is too low. Maintain Salinity between 3.0 and 3.5 gpl.

SERVICE and Service Code

The SERVICE indicator will turn on whenever the control system detects a problem that requires attention. The SERVICE indicator is accompanied by a service code displayed on the front panel, displayed as a three (3) digit code. The service code(s) are displayed twice per minute with an audible alarm.

NOTE See Section 7.2 Service Codes. Problems can range from insufficient salinity to the DC cord not connected.

Audible Alarm

An audible alarm (beep) sounds once per hour, and only for the first service code, when a SERVICE condition is detected. The alarm can be cleared by pressing and holding the SALINITY button (C) for five (5) seconds. The audible alarm can be cleared for 24 hours or until the power to the unit is turned off and back on whichever comes first. However, the audible alarm will return if a new problem is detected.

NOTE The audible alarm can be permanently disabled by removing the jumper from J2 on the control/power center power interface board

Audible Alarm Volume Control

Audible alarm operation and volume control can be adjusted. To adjust volume control, press and hold the TEMPERATURE button (D) for 15 seconds. The system will beep once when pressed, once after 10 seconds and once after 15 seconds. Release the key after the third beep. Press the SALINITY button (C) within five (5) seconds to enter the temperature change screen.

NOTE The boost cycle is normally activated after 10 seconds, however, if the key is held down until after the third beep at 15 seconds, the Boost mode will not be changed.

The system will display a '1' followed by 'F' or 'C'. Press the TEMPERATURE button (D) to move to the second parameter screen. The screen will display a 0, and the alarm volume will be fully reduced. The system will occasionally show a '2' to display the screen number. Press the arrow button B to increase the volume and the arrow button A to reduce the volume. The volume increments from 0 to 100 in 20 steps. After each press of the arrow buttons, the alarm will activate to demonstrate the current volume level. When the alarm volume has been adjusted to the desired setting, press the SALINITY button (C) to confirm the new alarm volume setting. The change will be stored in permanent memory. If you do not wish to keep the change, wait five (5) seconds, and the change screen will 'time out' and return to normal operation without keeping any changes to the system. Any changes made to the alarm volume will NOT be saved if this occurs.

5.3 Operation

CAUTION

Before attempting to operate the device, refer to *Section 4, Pool Water Preparation*. Also, do not adjust Chlorine production above 00% until it is certain that salt has been dissolved in pool. Operating without salt will damage the Electrolytic Cell.

Use of an external pool pump timer is not required with the saltwater chlorinator power/power pack. The chlorinator is designed to supply a sufficient amount of chlorine to sanitize pool water on a daily basis. If the system is operated for 24 hours a day at a 100% production rate, more chlorine would be generated than would be needed by most pools (0.5 - 3.0 ppm). The chlorinator control system has an internal timer which cycles the electrolytic cell on and off depending on what percent is set for the Chlorine Production Rate. For instance, at 100% the cell is on at all times while the pump is running. When the system is set at 90%, the cell will rest 10% of the time which helps prolong the cell life. In order to fine tune the chlorine production for any size pool just increase or decrease the Chlorine Production Rate from 00% to 100% until the chlorine level in the pool stabilizes between 0.5 - 3.0 ppm while the pump is running (see Section 5.4.3, "Apply Power" steps 1-5).

NOTE The chlorinating system only operates when the pump is running. During hot weather months you may need to increase pump run time to allow sufficient chlorine production.

If you are connected to the AquaLink® RS control system or use a Pool Pump Timer. The Association of Pool & Spa Professionals® (APSP) recommends that all water in a residential pool pass through the filtration system at least once every 12 hours (referred to as pool water turnover). However, many factors have an effect on actual pump and filter system run times. Pool size, source of water, direct sun light, indoor/outdoor, screened/unscreened, filtration system, cold or hot weather, swimmer load, rain, organic debris, algae, etc., are all factors which contribute to either more or less pool pump and filter system run times. Because of these differences, it is extremely difficult to set an initial run time (starting point) for the pool pump and chlorinating system.

Try initially setting the pool pump run-time to 12 hours per day. It will take a few days to get just the right pool pump operating time. Adjust accordingly using the steps listed in Section 5.4.3, “Apply Power” steps 1-5. ***When the Nature² Fusion Soft is wired with a pool pump timer the results will vary greatly from one pool installation to the next, so this should be discussed with either the pool builder or the local qualified service representative.***

The key points are:

- Check Chlorine Level on a regular basis and adjust the chlorine production rate (%) accordingly.
- Operate pool pump at least the minimum time needed for good filtration.
- The Pool Pump Timer reduces energy consumption.

NOTE Chlorine Production can be adjusted in 5% increments at the User Interface or through the AquaLink RS control system.

NOTE Exception - For Cold Weather Operation: If the saltwater chlorinator is set to run 24 hours a day through the winter, extremely cold water temperatures can contribute to a reduction in the operating life of the electrolytic cell. Sometimes it will be necessary to run the chlorinator at a very low production rate (10 - 20%) or to turn the unit off. See *Section 6.7, Winterizing*.

5.4 Startup

5.4.1 Start-Up Cartridge Procedure

1. Install the cartridge after the water has been balanced.
2. With the circulation system OFF, remove the collar from the Nature² side of the system. If this is a newly installed system, remove and store the temporary plug supplied with the unit.
3. Insert the Nature² start-up cartridge and replace the collar and hand tighten.
4. Turn on pool circulation system.
5. For newly filled pools, replace after 30 days with Nature² mineral cartridge [seven (7) days for other pools]. See Section 4.3.

5.4.2 Shocking

Shock (superoxidation) the pool water from an alternate source at the time of pool startup to burn off contaminants. During normal operating conditions the chlorinator is capable of generating a sufficient level of chlorine for sanitation within several hours. However, if the pool water has a high chlorine demand due to startup conditions then the chlorinator will not be able to produce enough chlorine to reach break-point chlorination. Shocking involves the manual addition of chemicals to quickly raise the level of chlorine. When the chlorine level is quickly raised to 5 - 15 ppm the pool water is said to have been shocked. Wait until the chlorine level has returned to 0.5 - 3.0 ppm before turning on the saltwater chlorinating system.

5.4.3 Apply Power

1. Turn on the pool pump. When the chlorinator is first turned on (cold), the unit will beep. Next it will self-calibrate the flow/temp/salinity sensor. After going through an internal test and calibration, the LCD will display the current setting for chlorine production (00% to 100%). During the calibration period “Wait” will appear. “Wait” means the unit is self-calibrating and doing internal testing. This process usually takes less than six (6) minutes.
2. Check salinity level by pressing the **SALINITY** button (**C**). It should read between 3.0 gpl and 3.5 gpl. If it does not, then press the **SALINITY** button (**C**) two (2) or three (3) more times until the salinity reading stabilizes.

NOTE If still less than 3.0 gpl refer to Tables 1 and 2 and adjust salt concentration level. (Maintain the Recommended Salinity Level of 3.0 to 3.5 gpl). If salinity is below 2.0 gpl the system will automatically turn the electrolytic cell off until the salinity is raised above 2.0 gpl. Operating with a low salt concentration will damage the electrolytic cell. Likewise, if salinity is above the range of measurement the system will automatically turn the electrolytic cell off until the salinity is lowered to a measurable level. Operating with high salt will damage the power center. If salinity is greater than 3.5 gpl, see *Section 7, Troubleshooting*.

3. Adjust the chlorine production to 50% by pressing the arrow buttons (**A**) or (**B**).
4. After 24 hours, use a reliable test kit to measure the pool water for free active chlorine. The ideal range to maintain is 1 - 3 ppm. If the chlorine content of the pool water is *too low, increase chlorine production by pressing the up arrow button (B)*. If the chlorine content of the water is *too high, decrease chlorine production by pressing the down arrow button (A)*. Adjust in 10% increments initially then in smaller increments (5%) as the correct chlorine level is approached.
5. Due to a varying chlorine demand of pool water, it may take a few days to determine the correct pool pump operating time and chlorine production percentage setting for your pool. Continue adjusting as necessary, allowing 24 hours between adjustments until the chlorine content of the pool water has stabilized at 1 - 3 ppm.

5.5 Operating in Winter

See *Section 6.7, Winterizing*.

5.6 Recommendations

• DO List

- Read and keep your manual in a safe place.
- Replace the start-up cartridge within 30 days and again every six (6) months.
- Increase chlorine production rate before a large number of bathers enter the pool and return to normal afterwards.
- Increase chlorine production rate when temperature goes up.
- Increase chlorine production rate when the number of bathers goes up.
- For outdoor pools only, use stabilizer (cyanuric acid) to stabilize chlorine in pool.
- Mount power center in shade or out of the direct sunlight whenever possible.
- Decrease production rate when temperature goes down (for example, in the Fall and Winter seasons).
- Take pool water sample to a qualified service representative once per month.

• DON'T List

- Do not get fertilizer in your pool. Fertilizers contain nitrates which cause a high chlorine demand on pool water.
- Never use dry acid to adjust pH in arid geographic areas with excessive evaporation and minimal dilution of pool water with fresh water. A build up of by products can damage the electrolytic cell.
- Do not add chemicals or salt to the pool unless the chlorinator is turned off.
- For outdoor pools only, do not let chlorine stabilizer (cyanuric acid) drop below 10 ppm.
- Do not add salt without first checking the pool salinity level. Too much salt can disable and possibly damage the chlorinator.

Section 6. User Maintenance Instructions

The following information describes how to care for your sanitizing system.

IMPORTANT Always test the chlorine levels of your pool before each use.

6.1 Daily

1. **Filtration and Circulation.** Follow the manufacturer's directions for keeping the circulating pump in good working order and operate it at least six (6) hours a day. Consult your Nature² dealer for optimum run times. Check pool filter periodically, clean as recommended by manufacturer.

6.2 Weekly

1. **Chlorine Test.** Maintain ideal range by adjusting the Nature² Fusion Soft chlorine production rate using *Section 5.4, Startup*. Recommended Free Chlorine is 0.5 - 1 ppm.

Use a home test kit or ask your qualified service representative to test your water. It is recommended that chlorine test samples be taken from two (2) places, described below. Compare the two (2) samples. A higher level should be found at the pool return line. The higher level at the pool return line indicates the saltwater chlorinator system is producing chlorine.

- a. At the pool return line.
 - b. 18" (46 cm) below the surface and well away from the pool return line.
2. **pH Level Test.** Test the pH level of your pool with a test kit. If necessary, adjust according to your qualified service representative's recommendations. APSP standard of 7.4 - 7.6 is recommended.

CAUTION

Never use dry acid to adjust pH in arid geographic areas with excessive evaporation and minimal dilution of pool water with fresh water. A build up of by products can damage the electrolytic cell.

6.3 Monthly

1. **Salt Level Test.** Test pool water salt level by depressing the **Salinity** button **C** and reading the LCD located on the DuoLink[®] power centre user interface. Maintain the ideal range of 3.0 - 3.5 gpl for optimum performance. If additional salt is required, follow the procedures and charts described in *Section 4*. If salt level does not rise after 24 hours, see *Section 7, Troubleshooting*.
2. **Pool Water Sample.** Take water sample to local pool store for testing.
3. **Total Alkalinity Test.** Test pool water for total alkalinity with a test kit. Adjust according to your qualified service representative's recommendations. 80 - 120 ppm APSP Standard.

4. **Stabilizer (Cyanuric Acid).** Test pool water stabilizer (*cyanuric acid*) level using a test kit or by having a water sample tested by a qualified service representative. Maintain ideal range of 10 - 50 ppm. Follow your qualified service representative's recommendations. Stabilizer is not necessary for indoor pool use.
5. **Calcium Hardness.** Test pool water for calcium hardness level using test kit or by having a water sample tested by a qualified service representative. If necessary, adjust according to your qualified service representative's recommendations. APSP standard of 150 - 400 ppm is recommended.
6. **Metals Test.** It is recommended that the pool water be tested periodically for the presence of metals such as iron, and manganese. These metals should not be present in the pool water. If those metals are present, contact the local qualified service representative.

6.4 Every Six (6) Months (Or once every pool season whichever is shorter)

6.4.1 Nature² Mineral Cartridge Replacement

The Nature² cartridge for the Nature² Soft Fusion lasts six (6) months or one pool season (whichever is the shorter length of time).

1. Shut off the pool pump and filter.
2. Close valves between filter and pool to prevent pool draining.
3. Turn large collar counterclockwise to remove and lift off cap.
4. Remove old cartridge and discard in household trash. Insert the new cartridge (see Section 4.3)
5. Position cap flat on the vessel housing.

IMPORTANT Make sure the o-ring is secure in the groove on the vessel top, not on the underside of the cap. Turn large collar clockwise until it locks into place, do not over tighten.

6. Open any valves that were closed to isolate the Nature² Fusion.

6.5 Electrolytic Cell Cleaning - As Needed

Depending upon water chemistry, occasional manual cell cleaning may be necessary.

1. Switch off the filter pump and chlorinator, close necessary valves.

WARNING

Always turn pump off prior to installing or removing any components from the pool's plumbing. Your pump/filter system is operated under pressure and pressure must be released before you begin to avoid system damage, serious personal injury, or death. Open the air relief valve on your pool filter to release the pressure in the system. Be sure to follow the pool filter manufacturer's instructions to ensure this is done properly.

2. Unplug the yellow connector from the vessel.
3. Unscrew the electrolytic cell retaining ring and remove the electrolytic cell.
4. Look down into the electrolytic cell to see if there is scale on the plates.

WARNING

To avoid personal injury when working with pool chemicals, always wear rubber gloves and eye protection, cover exposed skin, and work in a well ventilated area. Use caution when choosing a location to open and use chemicals as they may damage any surface into which they come in contact. If any chemical gets on your skin, rinse the area immediately with water. If any chemical gets on your clothing, immediately remove the piece of clothing and rinse with water.

5. Mix cleaning solution in a suitable plastic container by adding one (1) part of hydrochloric (muriatic) acid to ten (10) parts water. Note: To avoid splash, always ADD MURIATIC ACID TO WATER rather than water to muriatic acid. Solutions stronger than 1:10 will damage the electrolytic cell and void warranty. Submerge only the plates of the electrolytic cell in the cleaning solution. See Figure 19. Allow the cleaning solution to dissolve the calcium deposits for approximately five (5) minutes.
6. Repeat the procedure if necessary. Take care to avoid splashing the electrolytic cell terminals and other equipment with the acidic cleaning solution. Wash down any spills with plenty of fresh water. To neutralize acid cleaning solution, add baking soda (foaming will occur).
7. Rinse the electrolytic cell in clean water and reinstall into the vessel. Ensure the O-ring is seated properly and coated lightly with silicone lubricant. Hand tighten collar.

IMPORTANT Make sure the O-ring is secure in the groove on the vessel top, not on the underside of the cap. Also verify that the O-ring faces the same direction as Figure 20 callout when installing.

8. Replace the yellow plug after drying and smearing lightly with silicone grease.
9. Reset valves and switches. Turn pump and sanitizer on.
10. Confirm chlorine output and settings on the user interface.

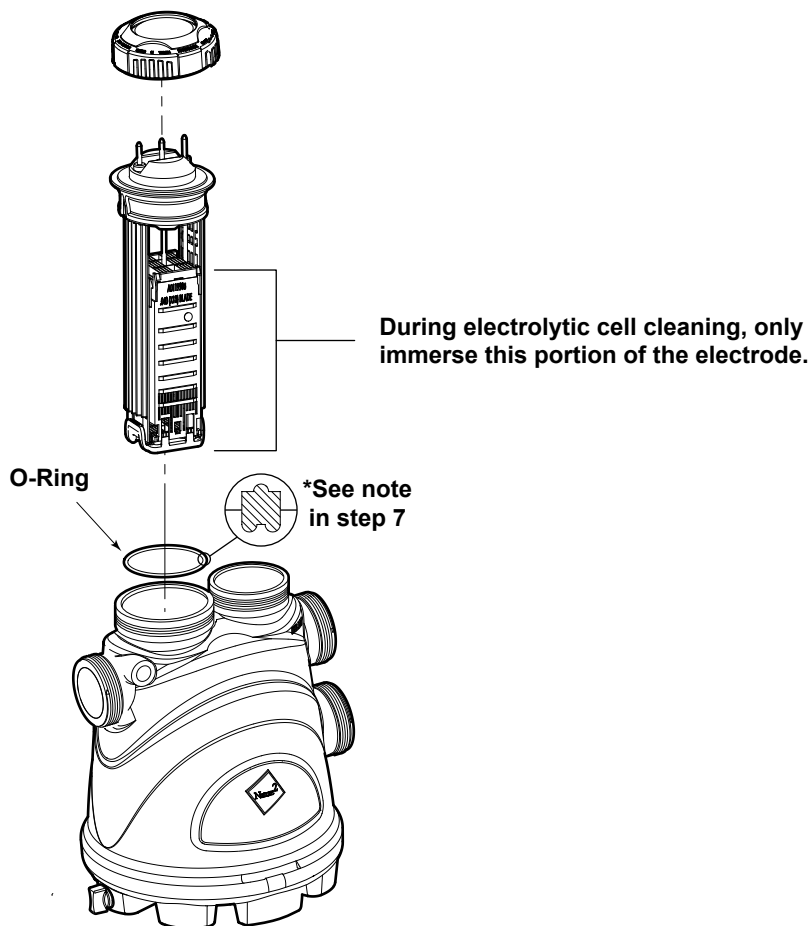


Figure 20. Electrolytic Cell Cleaning

6.6 Flow/Temp/Salinity Sensor Cleaning

One (1) time per year or as needed.

It is rare but scale formations on the flow/temp/salinity sensor sometimes occur and will affect the accuracy of the salinity test.

1. Remove flow/temp/salinity sensor from the vessel.
2. Brush with a mildly abrasive green fiber household cleaning pad. Contacts should be clean and bright.
3. Thoroughly rinse the flow/temp/salinity sensor with clean tap water. Replace and resume normal operation.
4. **Turn power off and back on in order to recalibrate and reset flow/temp/salinity sensor. Reset anytime flow/temp/salinity sensor is unplugged.**

6.7 Winterizing

Very little chlorine is needed in cold water. Below 51°F (11°C), chlorine production is not permitted; operating the chlorinator in cold water might result in over-chlorinated

pool water. If more chlorine is needed, **activating the “Boost” mode will override this cold water feature allowing chlorine production for 24 hours of operation.** See Section 5.1, *User Interface Controls*.

If preventative measures are not taken, freezing water may cause severe damage to the cell and flow/temp/salinity sensor. Prevent freeze damage to the cell and flow/temp/salinity sensor by running pump continuously or winterize pool by draining water from pump, filter, and all intake and return lines. Remove the cell, clean and store it. Disconnect the flow/temp/salinity sensor from the power center, then remove it from the vessel. Wrap flow/temp/salinity sensor in a plastic bag or protective covering and coil flow/temp/salinity sensor and DC power cord cables around the power center for storage.

An optional Spool Piece (sold separately) is available to replace the vessel during winterizing or vessel maintenance. This will enable pool pump to circulate water with the vessel out the of line.

When a FREEZE CONTROLLER is used on pump equipment and the chlorinator is run through the winter, turn the CHLORINE PRODUCTION down to 10 - 20%. Otherwise, chlorine production will exceed the recommended level of 1.0 - 3.0 ppm.

NOTE A chlorine level above 3.0 ppm may cause corrosion of pool metals and possibly cause damage to associated pool equipment.

Section 7. Troubleshooting

NOTE Turn off power to unit prior to attempting service or repair.

7.1 Problems and Corrective Action

Problem	Possible Cause	Corrective Action
Low or no chlorine.	Low stabilizer (cyanuric acid) level in pool water. Insufficient operating hours of the unit (outdoors pools only).	Add stabilizer to maintain 10 - 50 ppm.
	CHLORINE PRODUCTION percentage set too low or off at 00%.	Increase chlorine production by pressing the Chlorine Production Rate Adjustment button (arrow button B). See Section 5, Operating Instructions.
	Recent increases in weather temperature without increasing the chlorine production of your unit.	Increase chlorine production by pressing the Chlorine Production Rate Adjustment button (arrow button B). See Section 5, Operating Instructions.
	Temporary loss of chlorine due to heavy organic load - rain, leaves, fertilizer or heavy bather load. Pets using pool.	Set "Boost" mode and allow to run for 24 hours. Recheck. If still too low, Super Chlorinate with outside source. (Take pool water sample to a qualified service representative.) See Section 5, Operating Instructions.
	Low (Less than 2.5) gpl salt level in pool water.	Test salinity by pressing the Test Salinity button. See Section 4, Tables 2 and 3.
	High nitrate level.	Contact a qualified service representative.
	Metals present in pool water.	Contact a qualified service representative.
	New pool water. Not shocked properly upon startup.	Super Chlorinate Pool. See Section 5.4, Startup.

Problem	Possible Cause	Corrective Action
	Clogged or dirty cell.	Remove cell for inspection. Clean if necessary. See Section 6, User Maintenance Instructions.
No display on LCD (<i>Screen is blank</i>).	No Power to Unit.	Check power. Turn on pump. 1. Defective automatic timer or pump switch. 2. Loose connection at automatic timer or pump switch.
	Loose ribbon cable between front and back PC board.	Check that ribbon cable is fully inserted into connector.
	Incorrectly wired. Unit not wired for 240 VAC.	Check that unit is correctly wired for 240 VAC and connected to 240 VAC.
	Loose or bad connection at white connector between transformer and PC board.	Check connector at white plug to insure proper connection. If burnt connector contact a qualified service representative.
“Cell On” indicator does not come on.	Chlorine Production set to 00%.	Adjust CHLORINE PRODUCTION to desired Percentage.
If No Flow also....	Insufficient water flow. Cell is plugged with debris, pump has lost prime.	Remove obstruction and/or clean cell. See Section 6.5, Electrolytic Cell Cleaning. Prime pump if necessary.
If No Flow also....	Flow/temp/salinity sensor not plugged in.	Plug in flow/temp/salinity sensor. See Section 3, Figure 11, Figure 12, and Figure 13.
	Salt level below 2.0 gpl (2000 ppm).	Add salt as described in Section 4.6.3.
“No Flow” indicator stays on continuously.	Pump fails to provide sufficient water flow.	Check for correct operation of the pump. Ensure there is no loss of pump prime or clogged strainer baskets.
	Improperly set valves or closed valves.	Check and correct all valve alignments.
	Clogged basket or dirty filter.	Follow filter cleaning procedures.
	Obstruction in the Nature2 Fusion Soft cell.	Remove cell for inspection. Follow cleaning procedures. See Section 6.5, Electrolytic Cell Cleaning.
	Flow/temp/salinity sensor not installed properly.	Ensure that the flow/temp/salinity sensor is installed according to Section 3, Figure 10. If not, contact a qualified service representative.
	Flow/temp/salinity sensor not plugged in.	Plug flow/temp/salinity sensor into connector on power center printed circuit board. Turn power to unit off and back on (Cycle Power). See wiring diagram in Figure 11, Figure 12, and Figure 13. See also, Section 6.6, Flow/Temp/Salinity Sensor Cleaning, Step 4.
	Flow/temp/salinity sensor elements covered with PVC glue, taped over, or covered with other debris.	Remove and clean flow/temp/salinity sensor and reinstall. See Section 3.11 and Section 6.5.
	Defective flow/temp/salinity sensor.	Contact a qualified service representative.

Problem	Possible Cause	Corrective Action
Salt level too high.	Too much salt has been added to pool.	Backwash or partially drain pool and dilute with fresh water until salinity returns to 3.0 gpl to 3.5 gpl.
Chlorine level too high.	Electrolytic cell is manufacturing too much chlorine.	Decrease the chlorine production rate adjustment button (arrow button A). See Section 5, Operating Instructions. If chlorine output at the lowest setting consistently provides for excessive chlorine levels, decrease daily pump operation time as much as necessary. If chlorine output at lowest setting is still excessive the Nature2 Fusion Soft system is oversized for the pool.
"Service" indicator on.	Low salt level in pool water.	Test salinity. Add salt as described in Section 4.6.
	Cell requires cleaning.	Refer to Maintenance Procedure for acid wash cleaning. See Section 6.5, Step 2.
	Cell not working properly after cleaning.	Contact a qualified service representative.
	DC power cord not properly connected to the cell.	Check connection. Check for dirt or corrosion around DC cord contacts at cell. Check Cell studs for same.
	Flow/temp/salinity sensor not plugged in.	Plug flow/temp/salinity sensor into connector on power center printed circuit board (Cycle Power).
	Water temperature too low.	Winterize your pool. See Section 6.7, Winterizing.
	All the above have been checked and indicator light is still on.	Contact a qualified service representative.
Salt level too low.	Not enough salt added on start up.	Add salt to pool, 3.0 gpl to 3.5 gpl. See Section 4.6.
	Heavy rainfall.	Add salt to pool, 3.0 gpl to 3.5 gpl. See Section 4.6.
	Leak in pool.	Repair pool.
	Dirty flow/temp/salinity sensor contacts or faulty flow sensor.	Remove and clean flow/temp/salinity sensor contacts. Check flow/temp/salinity sensor cable for damage. See Section 6.6. Verify salinity with Myron "L" meter calibrated for NaCl, titration test units, or other salt meters. Please be aware that salt test strips have a large variance in readings (400 - 800 ppm).
Chlorine odor.	Presence of excess chloramines (combined chlorine).	Manually shock the pool following the directions in Section 5.4.2 Shocking.
Cloudy water, slimy walls of pool.	It has been six (6) months since present cartridge was installed.	Brush pool, manually shock, adjust pH, replace cartridge. Run filtration system for 24 hours.
	Combined algae and bacteria growth.	Brush down the affected walls and follow the directions in Section 5.4.2 Shocking.
Eye and/or skin irritation.	Improper water balance.	Balance the water to recommended levels in Section 4.5.

Problem	Possible Cause	Corrective Action
Scale formation on pool equipment. NOTE: To clean the deposit (scale) on the electrolytic cell plates, see Section 6.4.	Incorrect pH causing metals to come out of solution.	Adjust total alkalinity to 80 - 120 ppm. Then adjust pH to within the range 7.4 - 7.6. See Section 4.5.
	High total hardness.	Dilute pool with fresh water. Contact a qualified service representative regarding use of a sequestering agent.

7.2 Service Codes

Code Number	Possible Cause	Corrective Action
120	Low current in forward direction to cell.	1. Clean cell if necessary (see Section 6.5). 2. Check DC Cord.
121	Low current in reverse direction to cell.	1. Clean cell if necessary (see Section 6.5). 2. Check DC Cord.
123	Extremely low current to cell.	1. Clean or replace cell if necessary (see Section 6.5). 2. Check DC Cord.
124	Higher than normal current to cell.	Contact a qualified service representative.
125	Cell needs to be cleaned.	Clean cell if necessary (see Section 6.5).
126	Low current in forward direction and VAC input voltage below 100/200 VAC.	Contact a qualified service representative.
127	Low current in reverse direction and VAC input voltage below 100/200 VAC.	Contact a qualified service representative.
144	Low salinity (below 2.0 gpl).	Add salt to pool to achieve 3.0 gpl (see Section 4.6).
145	High salinity (above 4.0 gpl).	Backwash filter if a DE filter is installed. Partially drain pool and dilute with fresh water until salinity returns to 3.0 to 3.5 gpl.
170	Possible front board service condition or unit not correctly wired to 120 VAC.	Contact a qualified service representative.
171	Possible backboard service condition.	Contact a qualified service representative.
172	Flow sensor service condition or flow sensor is unplugged.	Contact a qualified service representative.
173	Low VAC input voltage and on board power supply is not regulated or unit not correctly wired.	Unit wired to improper AC voltage. Contact a qualified service representative.
174	Pool temperature is too high for operation of Nature ² Fusion Soft.	Flow/Salinity Sensor indicates water temperature at sensor above 108°F (42°C). Reduce water temperature.
175	Flow sensor air lock condition or very low salinity.	Verify proper flow/temp/salinity sensor installation (see Section 3, Figure 10). Check salinity with Myron "L" meter calibrated for NaCl or test strips. Add salt as necessary (see Section 4.6).

7.3 Level 2 Service Codes

If you encounter a Level 2 Service Code, contact a qualified service representative.

Code Number	Possible Cause	Corrective Action
180	Heated sensor element not heating. (Generates 172 code)	Contact a qualified service representative.
181	Flow sensor temperature sensor failure. (Generates 172 code - flow sensor service)	Contact a qualified service representative.
182	Salinity Sensor sees less than 0.2 gpl of salt, no salt in pool or sensor air locked. (Generates 175 code – flow sensor air lock)	Contact a qualified service representative.
183-186	Flow salinity sensor temperature probe error codes. (They will all generate 172 codes which indicate flow sensor service is required)	Contact a qualified service representative.
187	Power supply either too low or too high. (Generates 173 - Low input voltage code if Level 2 code 188 is present) (Generates 170 code if 188 is not present)	Contact a qualified service representative.
188	VAC input voltage is too low. (Generates 173 code if Level II code 187 is present)	Contact a qualified service representative.
189	Relay not conducting in the forward direction. (Generates 171 code - Backboard service)	Contact a qualified service representative.
190	Relay not conducting in the reverse direction. (Generates 171 code - Backboard service)	Contact a qualified service representative.
191	High cell current (at upper limit of A/D converter) and cell voltage below 19V. (Generates 170 code front board service)	Contact a qualified service representative.
192	High cell current and cell voltage below 19V. (Generates 171 code – Backboard service)	Contact a qualified service representative.
193	Measured significant cell current when SCRs were turned off. (Generates 170 code – front board service)	Contact a qualified service representative.
194	Cell Current is 85% lower than desired and cell voltage above 19V. (Generates 125 code - Cell dirty or needs replacement)	Contact a qualified service representative.
195	Salinity invalid due to out of range measurements caused by power board error. (Generates 170 code – front board service)	Contact a qualified service representative.

7.4 Additional Letter Codes

Code	Condition	Reason
EC	External Control	ORP unit or external controller has shut off chlorine production.
Lo	Low Temperature Cutoff	Temperature of Pool is < 50°F (10°C). Chlorine production stopped.
bo	Boost	In “Boost” mode unit will operate at 100% production for 24 run time hours.
HH	High-High	Input has exceeded Maximum Range.
JA	AquaLink® RS Online	AquaLink RS is controlling the Nature ² Fusion Soft and desired output percentages.
Jb	Boost (AquaLink RS Interface)	AquaLink RS is controlling the Nature ² Fusion Soft and “Boost” is active.

Section 8. Temperature Conversion

To display Celsius or Fahrenheit on the digital display.

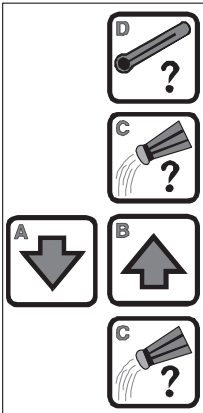
Pool Temp.
- Boost -

Salinity

Rate ▲
▼ Rate

Salinity

or



1. Press and hold button **Pool Temp. -Boost-** or **D** for 15 seconds (third beep).
2. Within five (5) seconds, momentarily press **Salinity** or **C** to enter the Fahrenheit/Celsius change mode.
3. To toggle between Celsius and Fahrenheit, press **Rate ↓** or **Rate ↑**, or **A** or **B**.
4. Confirm by momentarily pressing **Salinity** or **C**. The change will be stored in permanent memory.

NOTE: The Boost mode will normally be activated if the Boost button **D** is depressed for 10 seconds. However, if button **D** is held down an additional five (5) seconds (for the third beep), the state of the Boost mode will not be changed.

Section 9. Nature² Fusion Soft and PureLink™ Exploded Views and Replacement Kits

9.1 Nature² FUSIONM and PureLink Control/Power Pack Replacement Parts

Dwg.#	Kit #	Description	Qty.	Dwg.#	Kit #	Description	Qty.
1	R0467400	User Interface Board	1	5	R0447500	Wiring Harness, PureLink Back PCB to DC Cord	1
		Screws	4				
2	R0467700	Bezel Cover Plate PureLink Power Center	1	6	R0467600	Power Interface Board Assembly	1
		Bezel Support Plate, PureLink Power Center	1			Screws, Power Interface	2
		Screws, Bezel Cover Plate	2	7	R0503400	Face Plate, Control Center, APURE-F	1
		Screws, Bezel Support Plate	2			Mounting Bracket, User Interface, APURE-F	1
		Screw, Battery Cover	1			Screws, User Interface Mounting Bracket and Face Plate	4
3	R0447300	Battery Door, PureLink Power Center	1			Battery Door, Control Center, APURE-F	1
		Screw, Battery Cover	1			Screw, Battery Cove	1
4	R0467800	Screws, User Interface, PureLink	4	8	R0503300	Battery Door, Control Center, APURE-F	1
		Screws, Power Interface Assy	2			Screw, Battery Cover	1
		Screws, Bezel Cover Plate	2				
		Screws, Bezel Support Plate	2				
		Screw, Battery Cover	1				

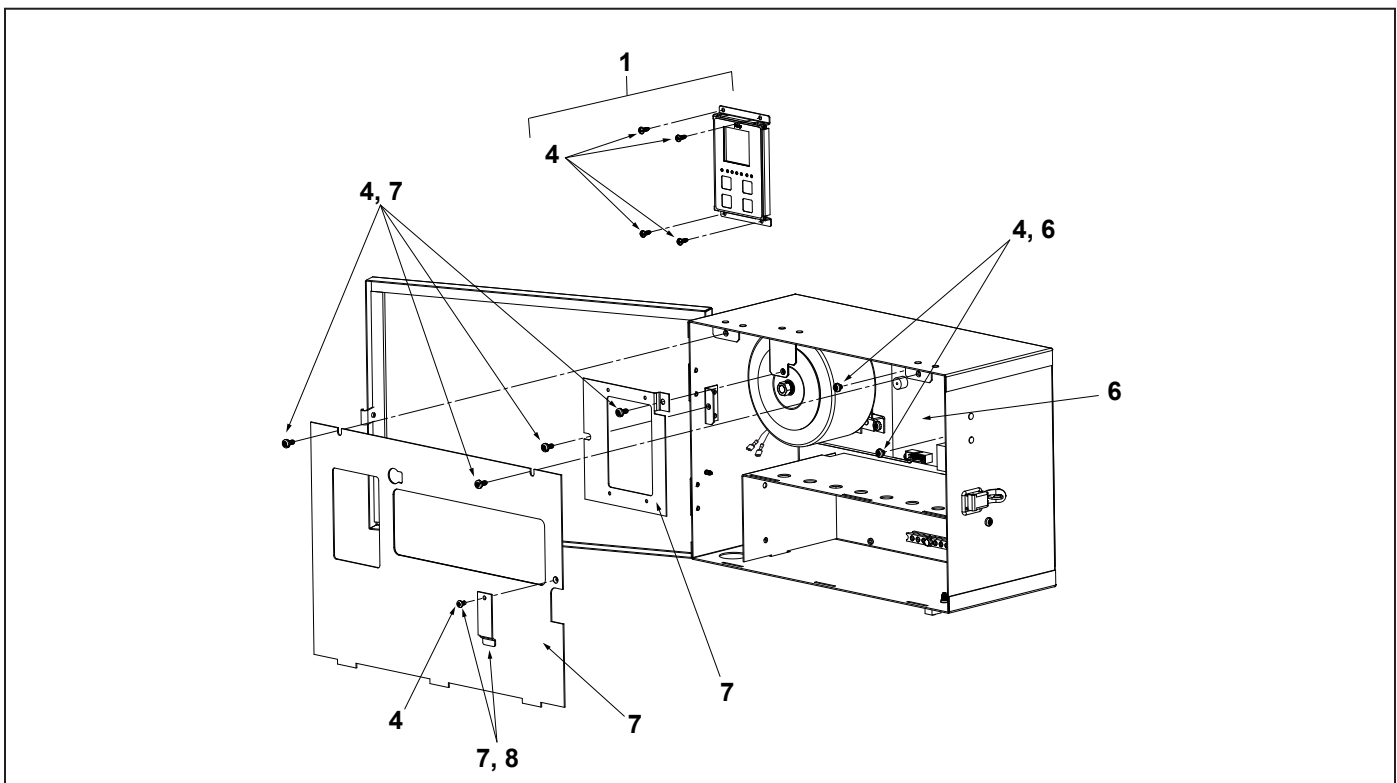


Figure 21a. Nature² Fusion Soft Power Pack

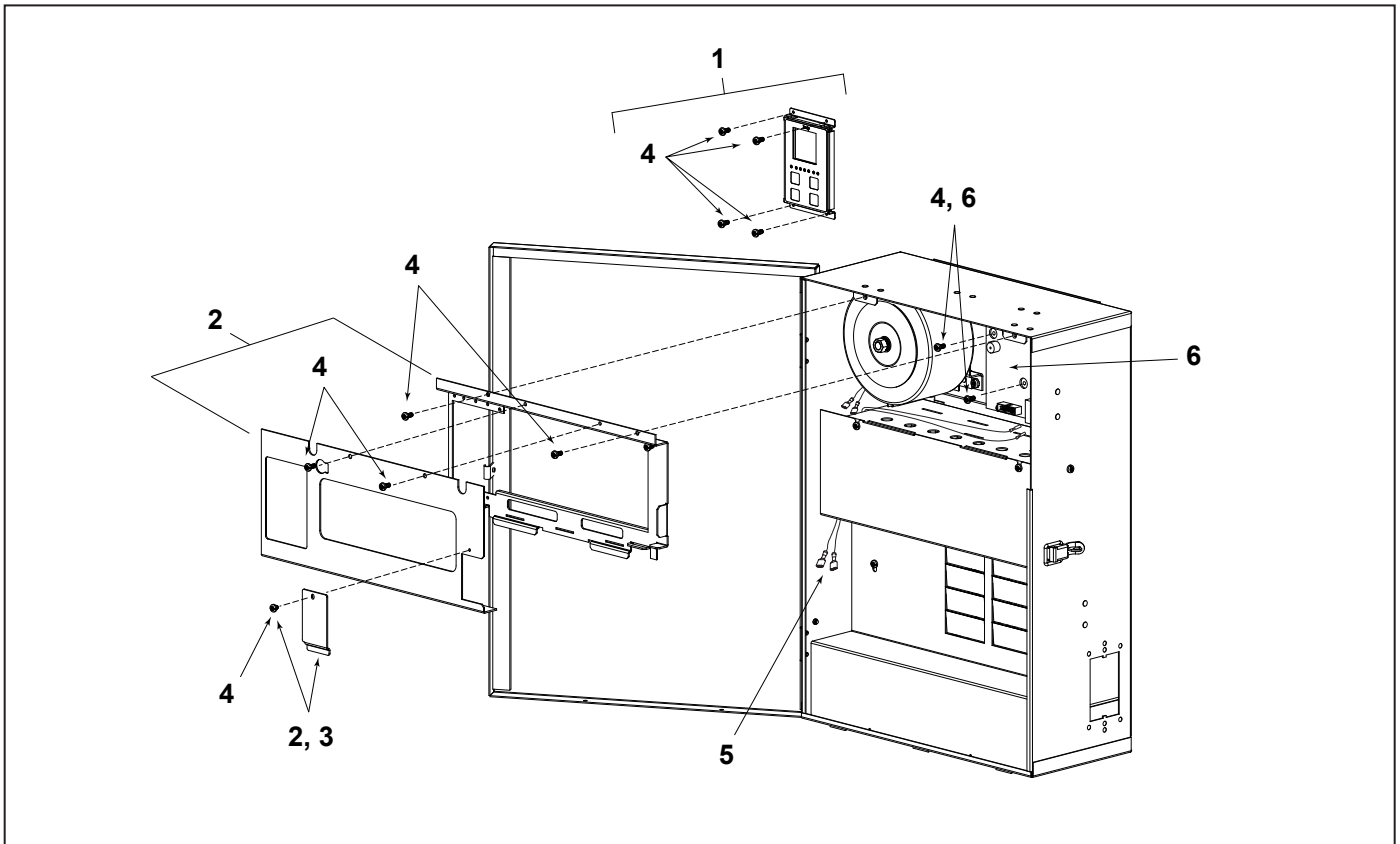


Figure 21b. AquaLink® RS PureLink™ Power Center, 6614AP

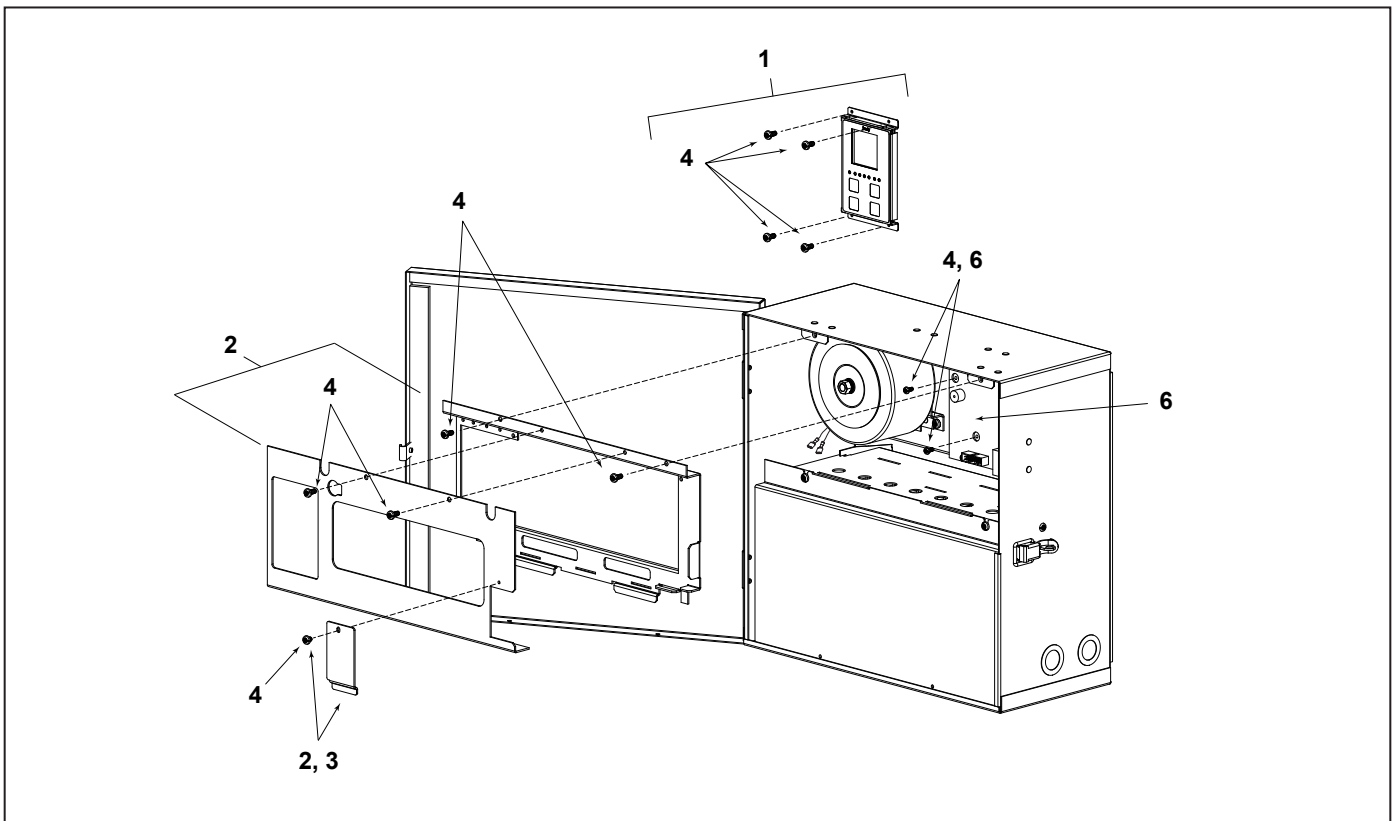
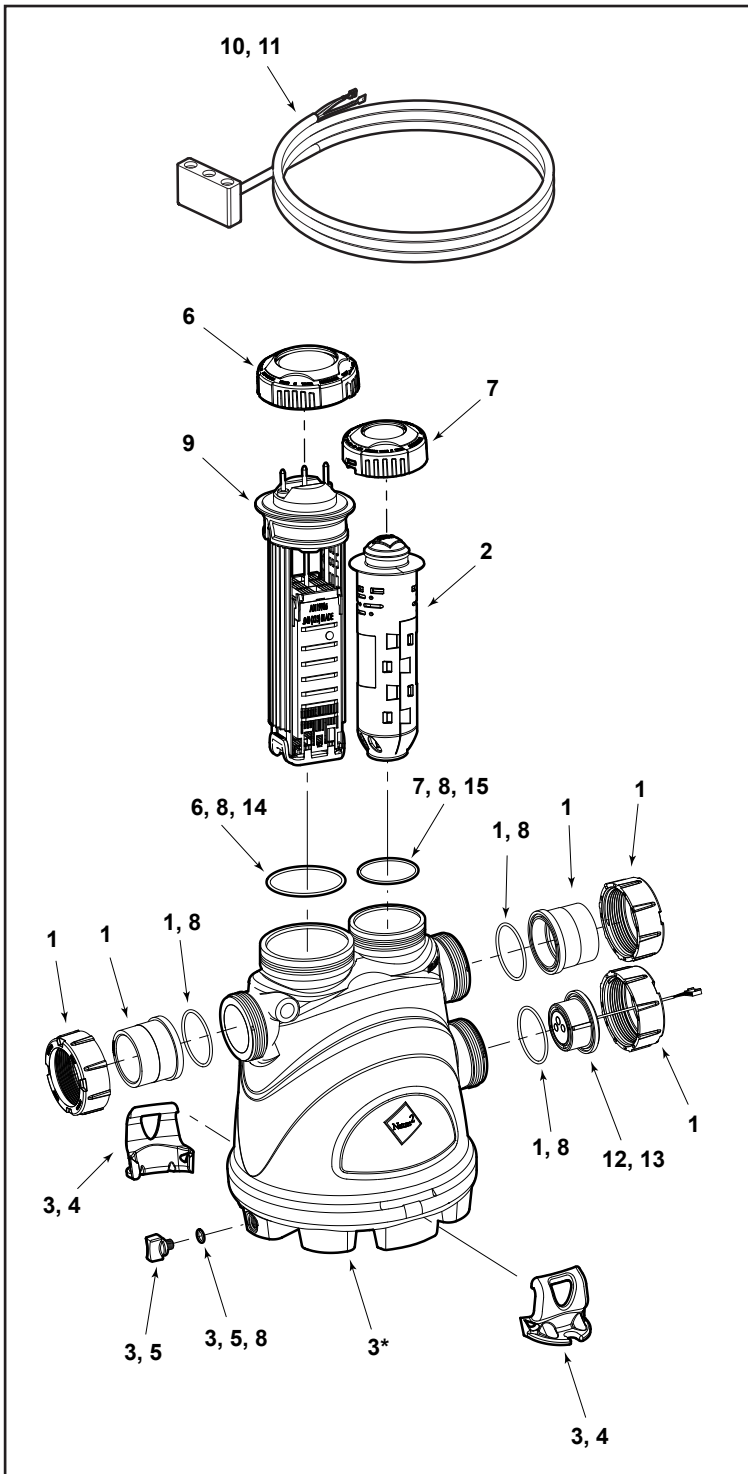


Figure 21c. AquaLink RS PureLink Power Center, 6613AP

9.2 Nature² Fusion Soft Replacement Parts



Dwg. #	Kit #	Description	Qty.
1	R0452100	Universal Union/Tailpiece/Plug Includes: Nut, Union Universal O-Ring, #2-231 Tailpiece, 2" X 2 1/2" Plug, Port (not shown)	3 3 2 1
2	W28000	DuoClear® 25 or Nature ² Fusion 25	1pk
	W26000	DuoClear 25 or Nature ² Fusion 25	4pk
	W28002	DuoClear 45 or Nature ² Fusion 45	1pk
	W26002	DuoClear 45 or Nature ² Fusion 45	4pk
3		Vessel w/ Flow Management System *Not offered as stand alone part	
4	R0502200	Anchor Bracket Kit	2
5	R0446000	Drain Plug w/ O-Ring	2
6	R0502300	Large Collar w/ O-Ring	1
7	R0502400	Small Collar w/ O-Ring	1
8	R0502500	Nature ² Fusion O-Ring Kit Includes: O-Ring, Large Collar O-Ring, Small Collar O-Ring, Unions & Port Plug O-Ring, Feeder Shaft O-Ring, Drain Plug	1 1 3 2 1
9	R0502800	Nature ² Fusion Soft 700 Cell Kit	
	R0503000	Nature ² Fusion Soft 1400 Cell Kit Includes: Electrolytic Cell O-Ring	1 1
10	R0402800	16' Cable, DC	1
11	R0476300	25' Cable, DC	1
12	R0452500	Port Sensor 16' w/O-Ring	1
13	R0476400	Port Sensor 25' w/O-Ring	1
14	R0586300	Tri-Lobe O-Ring	1
15	R0586400	Pro Collar O-Ring Kit	1

Figure 22. Nature² Fusion Soft Vessel Exploded View

NOTES

Zodiac Pool Systems, Inc.
2620 Commerce Way, Vista, CA 92081
1.800.822.7933 | www.ZodiacPoolSystems.com

*ZODIAC® is a registered trademark of Zodiac International, S.A.S.U., used under license.
All trademarks referenced herein are the property of their respective owners.*

©2014 Zodiac Pool Systems, Inc. H0330100_REVD





Fusion soft

**ESTE SISTEMA INCLUYE UN CARTUCHO DE ARRANQUE
DESPUÉS DE PERÍODO DE ARRANQUE SE REQUIERE UN CARTUCHO DE MINERALES
NATURE² (No incluido, consulte la página 26 para más información)**

⚠ ADVERTENCIA

PARA SU SEGURIDAD - Este producto debe ser instalado y mantenido por un contratista que está autorizado y calificado en equipo de piscina en la jurisdicción en la que el producto se instala donde existan requisitos estatales o locales. En el caso de ningún estado o locales obligatorio, el responsable debe ser un profesional con experiencia suficiente en la piscina de la instalación y mantenimiento de equipo para que todas las instrucciones en este manual puede ser seguido exactamente. Antes de instalar este producto, lea y siga todas las advertencias y las instrucciones que acompañan a este producto. El incumplimiento de los avisos de advertencia e instrucciones puede resultar en daños a la propiedad, lesiones personales o la muerte. La instalación y / o operación se anulará la garantía.

La instalación y / o funcionamiento puede crear peligro eléctrico no deseado que puede causar lesiones graves, daños a la propiedad, o la muerte.

Indice

Sección 1. Instrucciones importantes de seguridad	57	Sección 5. Manual de instrucciones.....	82
Sección 2. Descripción del sistema	59	5.1 Controles de interfaz de usuario.....	82
2.1 Descripción del producto	59	5.2 Lectura de la pantalla	83
2.2 Componentes del Nature ² Fusion Soft	59	5.3 Operación	84
2.3 Especificaciones del producto	60	5.4 Arranque	85
2.4 Especificaciones eléctricas.....	61	5.4.1 Procedimiento de arranque.....	85
Sección 3. Instrucciones de instalación	61	5.4.2 Dosis de shock.....	85
3.1 Los materiales y herramientas.....	62	5.4.3 Aplicación de energía	86
3.2 Requisitos de instalación	62	5.5 Invernación	86
3.3 Instalación del vaso en la plataforma de equipo	62	5.6 Recomendaciones	86
3.4 Instalación del vaso	63	Sección 6. Instrucciones de mantenimiento del usuario	87
3.5 Instalación de derivación (bypass)	65	6.1 Diario	87
3.6 Instalación de retorno dividido	66	6.2 Semanal.....	87
3.7 Instalación de la FUSIONM o AquaLink® RS PureLink™	66	6.3 Mensual	87
3.8 Puesta a tierra y cable de conexión.....	68	6.4 Cada seis (6) meses (o una vez cada temporada de piscina que sea más corto).....	88
3.9 Re-configuración de modelo.....	68	6.4.1 Cartucho de repuesto de minerales del Nature ²	88
3.10 Instalación del interfaz del usuario del generador de cloro en un AquaLink RS o un bisel del PDA	69	6.5 Limpieza de la celda electrolítica - como sea necesario	88
3.11 Conexión de la Nature ² Fusion Soft y del sensor de flujo/temp/salinidad.....	70	Sección 7. Solución de problemas	90
3.12 Conexión al Sistema de Control de AquaLink RS.....	74	7.1 Problemas y acciones correctivas	90
3.12.1 Cableado Nature ² Fusion Soft a un Jandy® AquaLink RS	74	7.2 Códigos de servicio nivel 2.....	94
3.12.2 Conexión del generador electrónico de cloro PureLink™ a un Jandy AquaLink RS.....	75	Sección 8. Conversión de la temperatura	95
3.13 Operación de la placa de control externo / ORP	75	Sección 9. Vista ampliada y piezas de repuesto del Nature² Fusion Soft y PureLink	96
Sección 4. Preparación del agua de piscina.....	76	9.1 Piezas de repuesto para el centro de energía eléctrica del AquaLink RS y FUSIONM	96
4.1 Determinación del tamaño de piscina (galones de agua en la piscina).....	76	9.2 Piezas de repuesto del Nature ² Fusion Soft.....	98
4.2 Determinación del tamaño de piscina (litros de agua en la piscina).....	77		
4.3 Seleccionando el tamaño del cartucho.....	77		
4.4 Química que usted necesita saber	77		
4.5 Piscina óptima las condiciones del agua	78		
4.6 La sal (NaCl Cloruro de Sodio).....	78		
4.6.1 Al añadir sal	78		
4.6.2 ¿Qué tipo de sal?.....	79		
4.6.3 ¿Cuánta sal utilizar?	79		
4.6.4 ¿Cómo agregar sal a la piscina?	79		

Figuras

Figura 1.	Componentes del Nature ² Fusion Soft.....	59
Figura 2.	Instalación de los soportes de anclas	63
Figura 3.	Recorte de tubería.....	64
Figura 4.	Ejemplo de instalación del Nature ² Fusion Soft con opciones	64
Figura 5.	Ejemplo de instalación de derivación	65
Figura 6.	Instalación de retorno dividido de Nature ² Fusion Soft	67
Figura 7.	Instalación de la fuente de alimentación	67
Figura 8.	Placa interfaz de control del generador de cloro.....	69
Figura 9.	Instalación del interfaz del usuario.....	69
Figura 10.	Instalación del vaso y del sensor de flujo/temp/salinidad	70
Figura 11.	Diagrama de la fuente de alimentación.....	71
Figura 12.	Diagrama de cableado para el sistema AquaLink® RS PureLink™ con respecto a 240 VCA bomba filtro.....	72
Figura 13.	Diagrama de cableado para el sistema AquaLink RS PureLink con respecto a 120 VCA bomba filtro	73
Figura 14.	Conexión del AquaLink RS y el Nature ² Fusion Soft.....	74
Figura 15.	Cableado del Nature ² Fusion Soft con un sistema de control AquaLink RS	74
Figura 16a.	Cables al sistema red del PureLink.....	75
Figura 16b.	Cables al sistema red de control PDA.....	75
Figura 17.	Puente movable ORP J14	76
Figura 18.	Curva de Perdida de Pression	81
Figura 19.	Interfaz del usuario.....	82
Figura 20.	Limpieza de la celda electrolitica	89
Figura 21a.	Centro de alimentación del Nature ² Fusion Soft	96
Figura 21b.	Centro de control del AquaLink RS PureLink, 6614AP	97
Figura 21c.	Centro de control del AquaLink RS PureLink, 6613AP	97
Figura 22.	Vista ampliada del Nature ² Fusion Soft.....	98

Tables

Table 1.	Libras aproximado y kilogramos de sal necesaria para obtener 3,0 gpl (3.000 ppm).....	80
Table 2.	Libras aproximada y kilogramos de estabilizador necesario para obtener 50 ppm	81

Sección 1. Instrucciones importantes de seguridad

LEA Y SIGA TODAS LAS INSTRUCCIONES

Todo el trabajo eléctrico debe ser realizado por un electricista con licencia de acuerdo a todos los códigos nacionales, estatales y locales. Al instalar este equipo, las precauciones básicas de seguridad deben seguirse, incluyendo las siguientes:

ADVERTENCIA

EQUIPOS A PRESIÓN: Siempre apague la bomba antes de instalar o cambiar cualquier vaso Nature² o cartucho o la adición de tabletas de cloro. Su bomba/sistema de filtro es operado bajo la presión y la presión debe ser liberada antes de comenzar a trabajar. Por favor, consulte el manual de instrucciones de la bomba o del filtro.

PELIGRO

Para reducir el riesgo de lesiones, no quite la cubierta de la succión de su spa o jacuzzi. Nunca opere un spa o jacuzzi, si los accesorios de succión están rotos o desaparecidos. Nunca sustituya un accesorio de succión con una clasificación inferior a la tasa de flujo marcada en el montaje de los equipos.

ADVERTENCIA

Cuando mezcle ácido con agua, SIEMPRE HAY QUE AÑADIR ÁCIDO AL AGUA. NUNCA añadir AGUA AL ACIDO.

ADVERTENCIA

Para reducir el riesgo de choque eléctrico, incendio o daños, el servicio solo lo debe hacer un profesional calificado en servicios de piscina.

ADVERTENCIA

Este producto, si no se opera correctamente, puede formar altas concentraciones de gas de cloro que puede ser perjudicial.

ADVERTENCIA

PREVENGA AHOGAMIENTO DE NIÑOS: No permita que nadie, especialmente los niños pequeños, se sientan, caminen, o salten en cualquier equipo instalado como parte del sistema operativo de su piscina. Coloque los componentes de su sistema operativo por lo menos tres (3) pies (1 m) de distancia de la piscina para que los niños no pueden utilizar el equipo para acceder a la piscina y puedan se lesionarse o se ahogarse.

ADVERTENCIA

Para reducir el riesgo de lesiones graves o la muerte -

- El agua en un spa nunca debe exceder de 104 °F (40 °C). La temperatura del agua entre 100 °F (38 °C) y 104 °F (40 °C) se consideran seguras para un adulto saludable. Las temperaturas de agua más bajas se recomiendan para niños pequeños y cuando el uso del spa excede de 10 minutos.
- Dado que la temperaturas excesivas del agua tienen un alto potencial de causar daños al feto durante los primeros meses de embarazo, mujeres embarazadas o posiblemente embarazadas deben limitar la temperatura del agua termal a 100°F (38°C).
- Antes de entrar en un spa o jacuzzi, el usuario debe medir la temperatura del agua con un termómetro preciso ya que la tolerancia de la temperatura del agua varía en dispositivos de regulación.
- El uso de alcohol, drogas o medicamentos antes o durante el spa puede llevar a la inconsciencia con la posibilidad de ahogarse.
- Las personas obesas y las personas con antecedentes de enfermedad cardíaca, alta o baja presión arterial, problemas del sistema circulatorio o de diabetes deben consultar a un médico antes de usar un spa.
- Las personas que utilizan medicamentos deben consultar a un médico antes de usar un spa o jacuzzi, ya que algunos medicamentos pueden provocar somnolencia, mientras que otros medicamentos pueden afectar el ritmo cardíaco, presión sanguínea y la circulación.
- Las personas con enfermedades infecciosas no deberían utilizar un spa o jacuzzi.

ADVERTENCIA

- Para evitar lesiones, tenga cuidado al entrar o salir del spa o jacuzzi.
- No use drogas o alcohol antes o durante el uso de un spa o jacuzzi para evitar la pérdida de conocimiento y posible ahogamiento.
- Las mujeres embarazadas o posiblemente embarazadas deben consultar a un médico antes de usar un spa o jacuzzi.
- La temperatura del agua en exceso de 100°F (38°C) puede ser nocivo para su salud.
- Antes de entrar en un spa o jacuzzi medir la temperatura del agua con un termómetro preciso.
- No utilice un spa o jacuzzi inmediatamente después de ejercicio extenuante.
- La inmersión prolongada en un spa o jacuzzi puede ser nocivo para su salud.
- No permitir que cualquier aparato eléctrico (como una luz, teléfono, radio o televisión) dentro de los 5 pies (1,52 m), de un spa o jacuzzi.
- El uso de alcohol, drogas o medicamentos pueden aumentar el riesgo de hipertermia fatal en jacuzzi y spas.

ADVERTENCIA

La inmersión prolongada en agua caliente puede provocar hipertermia. La hipertermia ocurre cuando la temperatura interna del cuerpo alcanza un nivel de varios grados por encima de la temperatura normal del cuerpo de 98,6 ° F (37 ° C). Los síntomas de hipertermia incluyen mareo, vértigo, somnolencia, letargo, y un aumento de la temperatura interna del cuerpo. Los efectos de la hipertermia incluyen:

- Desconocimiento de un peligro inminente
- Falta de percibir el calor
- Si no se reconoce la necesidad de salir del spa
- Incapacidad física para salir del spa
- Daño fetal en mujeres embarazadas
- Pérdida del conocimiento que resulta en un peligro de ahogarse
- El uso de alcohol, drogas o medicamentos pueden aumentar el riesgo de hipertermia fatal.

PRECAUCION

Es importante señalar que ciertos materiales utilizados en y alrededor de piscinas y spas pueden no ser compatibles con los productos químicos utilizados para purificar el agua del spa y la piscina (por ejemplo, ácidos, cloro, sal, estabilizadores, etc.)

Como tal, Zodiac Pool Systems, Inc. no garantiza que el agua clorada generados por Nature² Fusion puedan dañar o destruir ciertos tipos de plantas, cubiertas, afrontamiento y otros materiales dentro y en los alrededores de su piscina o spa. Antes de seleccionar los materiales a ser utilizados en y alrededor de su piscina y/o spa, favor de discutir todas las opciones con su contratista para evaluar la compatibilidad de dichos materiales y productos químicos.

- Algunas consideraciones útiles:
- Elección de las plantas que pueden resistir salpicaduras de agua de la piscina con cloro y/o de la sal y otros productos químicos de purificación de agua.
- Todos los componentes de metal utilizados en y alrededor de una piscina deben ser de alto grado, acero inoxidable de calidad.
- Seleccione cuidadosamente de los productos de albañilería. La porosidad y la dureza de la piedra natural es muy variable. Por lo tanto, le recomendamos que consulte con su constructor o contratista en la mejor opción para los materiales de piedra alrededor de su piscina o spa.
- Sellado de todos los productos de albañilería. Los profesionales de la industria de la piedra especifican que incluso la piedra natural, especialmente cuando se usa al aire libre, deben estar sellados para evitar la erosión, la coloración, y la degradación prematura. Consulte con su contratista de cubierta o de piedra para aislar adecuadamente los productos de albañilería que ha seleccionado usar alrededor de su piscina o spa.
- Para resultados óptimos, selladores deben reaplicarse regularmente. Reaplique el sellador de protección de acuerdo a las instrucciones del fabricante.

GUARDE ESTAS INSTRUCCIONES

Sección 2. Descripción del sistema

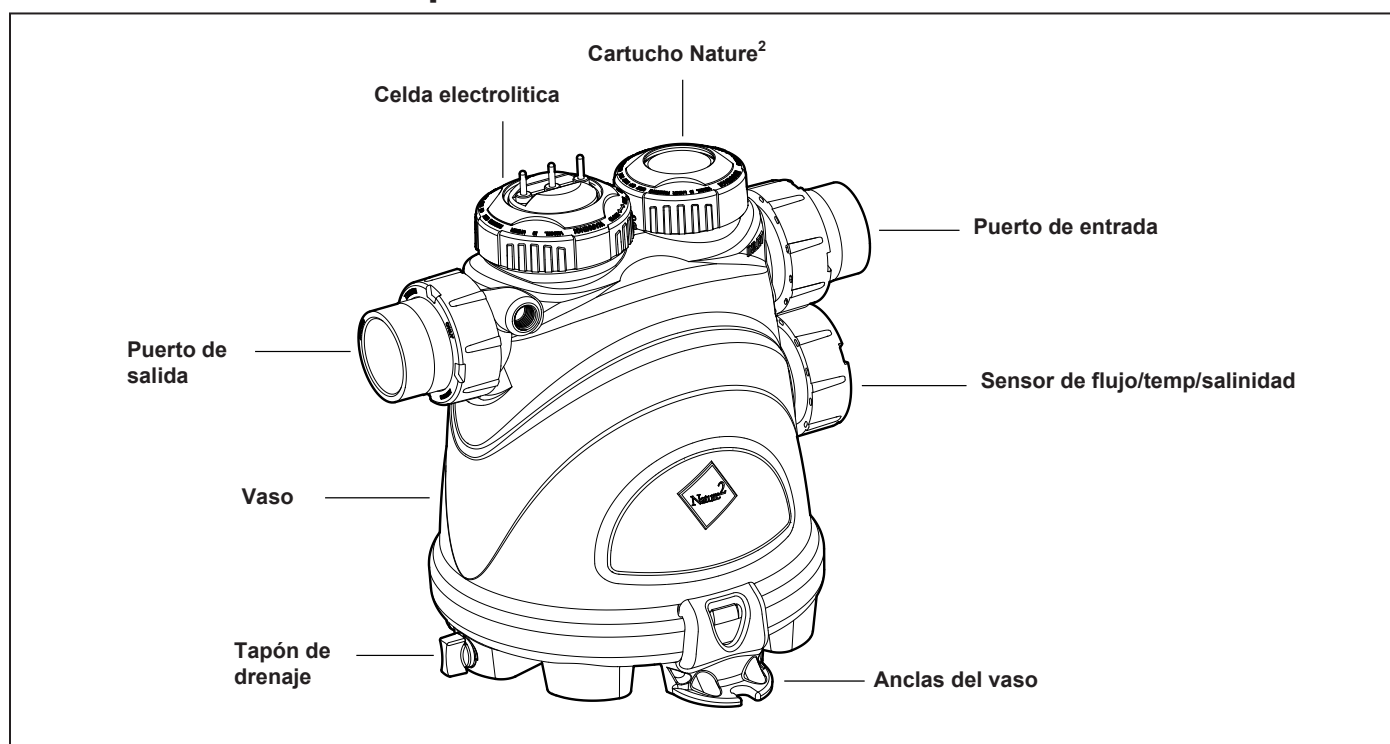


Figura 1. Componentes del Nature² Fusion Soft

2.1 Descripción del producto

El Nature² Fusion Soft es un todo-en-uno, el sistema de sanidad, que incluye saneamiento de minerales y las tecnologías de la cloración de agua salada en una misma carcasa, que se puede interconectar con un sistema centralizado de control de piscina.

El Nature² Fusion Soft utiliza un enfoque dual para limpiar el agua de la piscina. El primer proceso es la tecnología de Nature² Zodiac[®] que entrega controlada de pequeñas cantidades de minerales beneficiosos para ayudar a reducir las bacterias y mantener la piscina libre de algas. El cartucho de minerales reduce la cantidad de cloro de la piscina requiere, lo que mejora drásticamente la calidad del agua y extiende la vida de la celda electrolítica. El segundo proceso es conocido como la electrólisis que produce el cloro de una baja concentración de sal en el agua de la piscina. El cloro mata las bacterias, oxida la materia orgánica, y mata a las algas y luego se vuelve sal. El Nature² Fusion Soft vuelve a utilizar la sal para repetir el proceso nuevamente.

2.2 Componentes del Nature² Fusion Soft

El sistema Fusion Nature² Soft se compone de los siguientes componentes:
Nature² FUSIONM (para sistemas autónomos, se vende por separado)

- La fuente de alimentación Nature² FUSIONM convierte la corriente alterna en corriente baja tensión que se requiere por la celda para realizar el electrólisis.
- La pantalla LCD ofrece una monitorización de la producción de cloro, modalidad de la celda, el nivel de salinidad, temperatura, flujo de agua y de diagnóstico.
- La fuente de alimentación está conectada con la circulación de la bomba de la piscina de origen eléctrico, de manera que la celda electrolítica sólo puede funcionar cuando la bomba de la piscina está encendido. La porción de flujo del sensor de flujo/temperatura/salinidad es un dispositivo de reserva de seguridad solamente.

Centro de control AquaLink® RS PureLink™ (para sistema centralizado de control de la piscina, se vende por separado)

- El sistema de PureLink es un todo-en-uno sistema de centro de control de cloración de agua salada para uso con AquaLink RS PDA, All Button, cubierta, o controladores de OneTouch™.
- El centro de control PureLink convierte la corriente alterna de baja tensión de corriente que se requiere para que la celda realice la electrólisis.
- La electrónica de generador de cloro están conectados con la electrónica de la bomba de la piscina, de manera que la celda electrolítica funciona solamente cuando la bomba de la piscina está encendida. La porción de flujo de la corriente del sensor de flujo/temp/salinidad es un dispositivo de reserva de seguridad solamente.

Desinfección del vaso del Nature² Fusion

- La desinfección del vaso utiliza una combinación de una celda electrolítica y un cartucho de minerales. La celda electrolítica contiene electrodos bipolares que realizan la electrólisis y la producción de cloro cuando se activa con corriente continua. El cloro se genera como agua de la piscina con sal que pasa a través de la celda. La producción de cloro puede ser modificada al ajustar el nivel de producción de cloro en el centro de control o por la variación del número de horas que el Nature² Fusion Soft está activo cada día. **El Nature² Fusion Soft limpia automáticamente los electrodos una vez cada tres (3) horas por inversión de polaridad.** Esto no interrumpe la producción de cloro. El cartucho de minerales produce una pequeña y controlada cantidad de plata y cobre que funciona en conjunto con el cloro para mantener una piscina libre de algas.

Sensor de flujo/temp/salinidad

- La porción de flujo de la corriente sensor de flujo/temp/salinidad ayuda a detectar si hay un flujo adecuado de agua a través de el vaso.
- La porción de la salinidad del flujo el sensor de flujo/temp/salinidad detecta el nivel de sal en el agua de la piscina. Este nivel de sal se muestra en gramos por litro (GPL) * en la pantalla de cristal líquido (LCD), cada vez que se pulsa el botón de la salinidad. Esto elimina la necesidad de manual de pruebas de la salinidad del agua de la piscina.
- Temperatura de la piscina se muestra pulsando el botón de temperatura.

* 1 gramo por litro (GPL) = 1000 ppm (partes por millón)

2.3 Especificaciones del producto

	Nature ² Fusion Soft 700	Nature ² Fusion Soft 1400
Capacidad	Hasta 12.000 galones. (45,000 L)	Hasta 40.000 galones. (151,000 L)
Sustituir el cartucho de Nature² (se vende por separado)	DuoClear® 25 o Nature ² Fusion 25 #W28000 (singular) #W26000 (4-paquete)	DuoClear 45 o Nature ² Fusion 45 #W28002 (singular) #W26002 (4-paquete)
Importante: El buen modelo de cartucho de repuesto que se indica en la etiqueta del recipiente		
Presión máxima de funcionamiento	50 psi	50 psi
Caudal mínimo	30 GPM (114 LPM)	30 GPM (114 LPM)
Caudal máximo	120 GPM (455 LPM)	120 GPM (455 LPM)
Requisitos de nivel de sal *	3.000 - 3.500 ppm	3,000 - 3,500 ppm
Recommeded nivel de sal *	3,000 ppm	3,000 ppm
Dimensiones del vaso	16.5" L x 16" H x 14.5" D (42 cm x 40 cm x 37 cm)	
Dimensiones de la fuente de alimentación	14.5" L x 10" H x 6.5" D (37 cm x 25 cm x 17 cm)	
Peso del vaso	10.6 lbs (4.8 kg)	11 lbs (5 kg)
Peso de la fuente de alimentación	25 lbs (11.3 kg)	25 lbs (11.3 kg)

* No exceda 3,500 ppm

2.4 Especificaciones eléctricas

	Nature2 Fusion Soft 700 Conectado a FUSIONM	Nature2 Fusion Soft 1400 Conectado a FUSIONM
Entrada	120 VCA, 50/60 Hz, 1,5 amperios 240 VCA, 50/60 Hz, 0,75 amperios	120 VCA, 50/60 Hz, 2,5 amperios 240 VCA, 50/60 Hz, 1,25 amperios
Salida	22-30 VCC @ 3 amperios máximo	22-30 VCC @ 6 amperios
Cloro	0,625 libras / día (283 g / día)	1,25 libras / día (567 g / día)
Opción de Control Externo	ORP / Conector de control externo AquaLink® conector RS485	ORP / Conector de control externo AquaLink conector RS485

PRECAUCION

La electrónica del clorador de agua salada del FUSIONM viene con cables de fábrica para el servicio de 240 VCA. Si el servicio de energía eléctrica disponible es de 120 VCA, a continuación, el cableado de alimentación debe ser cambiado para operar con 120 VCA, como se muestra en la Figuras 11 y 13.

La electrónica del clorador son alimentados desde el lado de carga desde el relé de la bomba de circulación de la piscina, por lo tanto, si el servicio de energía eléctrica disponible es de 120 VCA, la bomba debe ser cableada para 120 VCA.

Sección 3. Instrucciones de instalación

ADVERTENCIA

PARA SU SEGURIDAD: Este producto debe ser instalado y mantenido por un profesional o técnico de servicio de piscina y spa. Los procedimientos en este manual debe ser seguidos exactamente. El incumplimiento de los avisos de advertencia e instrucciones pueden resultar en daños a la propiedad, lesiones graves o la muerte. La instalación y/o operación inapropiada anulará la garantía.

ADVERTENCIA

Al usar aparatos eléctricos, las precauciones básicas deben seguirse, incluyendo las siguientes:

- **RIESGO DE DESCARGA ELÉCTRICA QUE PUEDE CAUSAR LESIONES GRAVES O LA MUERTE.** Antes de comenzar la instalación o servicio, asegúrese de que toda la energía del dispositivo este desconectada/apagada en el interruptor de circuito.
- Se requiere de conexión a tierra. La unidad debe ser instalada por un representante de servicio técnico especializado y debe ser puesta a tierra y a cable de conexión. (Ver la sección 3.8).
- Debe ser instalado para permitir el acceso para su mantenimiento.
- Lea la Sección 1, información de seguridad. Antes de intentar cualquier tipo de cableado eléctrico, asegúrese de leer y seguir las instrucciones de seguridad. **El cableado solo lo deben hacer por un profesional calificado.**

3.1 Los materiales y herramientas

NOTA La sal no esta incluida. Vea la sección 4, Preparación de Agua de Piscina.

Materiales de instalación necesarios proveidos	Centro de control PureLink™ (Opcional - Se vende por separado)	
<p>Nature2 Fusion Soft</p> <p>Vaso con 2 “-2 ½” (5 - 6,3 cm) uniones universales</p> <p>Sensor de 16 pies (4,88 m) de cable y anillo tórico</p> <p>Tuerca de unión universal (para garantizar el sensor)</p> <p>Cable de alimentación CC de 16 pies (4,88 m)</p> <p>Manual de Instalación y Operación con información de garantía</p> <p>Fuente de alimentación FUSIONM o APUREM (se vende por separado)</p> <p>Fuente de alimentación con interfaz del usuario</p> <p>Dos (2) tuercas de cables</p> <p>Plantilla de instalación</p>	<p>centro de control AquaLink® RS PureLink (Standard o con disyuntores)</p> <p>Dos (2) tuercas de cables</p> <p>Plantilla de instalación</p> <tr> <th data-bbox="781 457 1474 499">Herramientas necesarias para la instalación</th> </tr> <p>Cinta de medir</p> <p>Destornilladores Phillip y cabeza plana</p> <p>Pinzas</p> <p>La sierra</p> <p>Voltímetro para determinar la tensión de la línea de cableado de CA a la fuente de alimentación</p> <p>Taladro eléctrico y broca de 1 / 4 “(0,6 cm) para el suministro de energía en el bloque de montaje de pared o de estuco</p> <p>Limpiador para todo fin aprobado por la NSF®</p> <p>Cemento para todo fin aprobado por la NSF (como Weld-On® 794™, 793™)</p>	Herramientas necesarias para la instalación
Herramientas necesarias para la instalación		

3.2 Requisitos de instalación

Decida a dónde instalar el Nature² Fusion Soft.

- El vaso deberá ser instalado en un 17” (43 cm) de longitud de tubería.
- El vaso debe estar instalado en la plataforma existente o una losa de concreto para soportar el peso.
- El vaso debe estar instalado como la última pieza del equipo en el sistema de cañerías de circulación poco antes de la piscina con el Nature² como la entrada y la parte clorador en la salida. Los puertos de entrada y salida están claramente marcadas en el vaso.
- El vaso debe ser instalado corriente abajo o el calentador puede dañarse.
- Si el vaso se instala debajo del nivel de agua de la piscina, debe ser instalado con una válvula de retención. La válvula de retención va a aislar el vaso y evitar que la piscina se drene durante la instalación, cambio de celda o cambio de cartucho.
- Si el tamaño de cañerías es mayor de 2” (5 cm) de diámetro o si los flujos son mayores de 120 gpm (455 lpm), el vaso deberá ser instalado en una configuración de derivación (ver sección 3.5).
- Si el vaso que se utiliza con la función de sistema de línea de agua, se debe instalar en una fracción de la configuración de retorno o daño al vaso puede ocurrir (ver sección 3.6).
- Nunca instale el Nature² Fusion Soft directamente en tuberías de cobre o daño a las tuberías puede ocurrir. Si se instalan válvulas de latón o bronce retrolavado, u otros componentes sensibles metálicos, consulte con su distribuidor para las recomendaciones de su sistema.

3.3 Instalación del vaso en la plataforma de equipo

En algunas áreas, por ejemplo, de la Florida, los códigos de construcción exigen que todos los aparatos sean fijados de manera segura a la plataforma de equipos para soportar los vientos fuertes creado por los huracanes. Por favor, siga todos los códigos y normas locales.

NOTA Tornillos y arandelas de anclaje para asegurar el vaso a la plataforma de los equipos no se incluyen con el vaso. Zodiac Pool Systems, Inc. ("Zodiac") recomienda que un 2 ¼ "X ¼" (5,7 cm x 0,6 cm) de largo de acero inoxidable TAPCON® tornillo y arandela de concreto planos de acero inoxidable se utilizan para montar cada una de las dos (2) anclas en la base a la plataforma de los equipos. El tornillo de Tapcon® concretas de Florida cumple con los requisitos del código de construcción.

1. Manualmente coloque las dos (2) anclas en los pies al costado del vaso, como se muestra en la Figura 2. Asegúrese de que estos soportes de anclas se coloquen firmemente a los pies de la vaso.
2. Coloque el vaso en la plataforma y marque la ubicación de cada hoyo de las anclas en la plataforma.
3. Perfore los agujeros de 5/32" (0,5 cm) en la plataforma para cada uno de lass dos (2) anclas. El tamaño correcto de broca de concreto debe ser obtenido cuando se compran los tornillos de concreto.
4. Instale los tornillos Tapcon y arandelas en cada uno de los dos (2) agujeros para asegurar el vaso a la plataforma de equipos. No se exceda en apretar los tornillos.

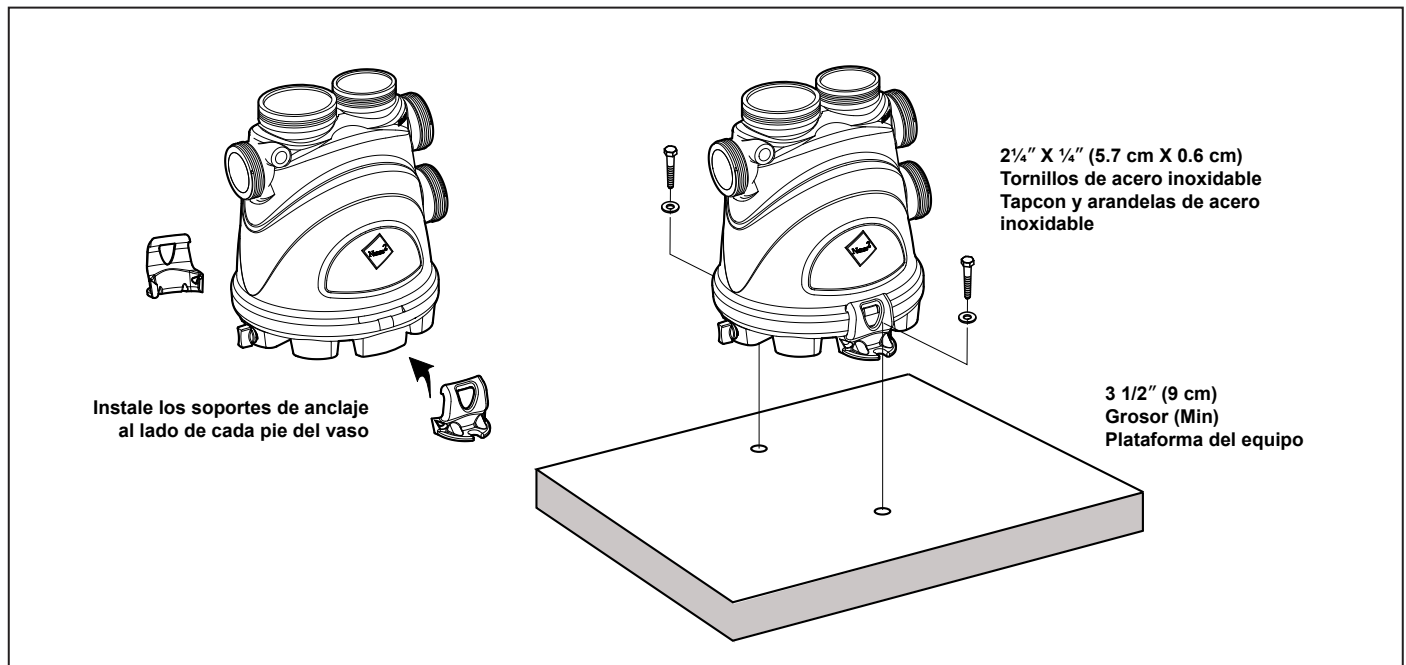


Figura 2. Instalación de los soportes de anclas

3.4 Instalación del vaso

1. Asegúrese de que la bomba de la piscina está apagada.
2. Quite la tapa del temporal al lado del cartucho de el vaso, e instale el cartucho de Nature² incluido en la caja. No tire de la tapa, será utilizada para el invierno del sistema.
3. Localice una sección adecuada de la tubería para instalar el vaso, de aproximadamente 17" (43 cm) de largo, que se ajusta a los requisitos de instalación descritos en la sección 3.2.
4. Recorte un 13 7/8" (35 cm) de la sección 2" (5 cm) de la cañería para insertar el vaso (véase la Figura 3).
5. Conecte la salida del filtro o un calentador al puerto de entrada de vasos con la correspondiente tubería PVC cédula 40; asegurar la conexión con un tubo de pegamento que sea compatible con el PVC.

NOTA Bujes reductores puede ser utilizados para dar cabida a plomería de 1,5 "(3,8 cm), sin efecto sobre el funcionamiento de la Nature² Fusion Soft.

6. Conecte el puerto de salida del vaso a la línea de retorno de la piscina con el mismo tipo de tubo de PVC y de asegurar la conexión con el pegamento de tuberías. Transcurrido el tiempo suficiente para que seque el pegamento.
7. Apriete a mano todas las uniones, los sensores, y collares.

⚠ PRECAUCIÓN

Tenga cuidado de no obtener los dedos atrapados entre el union y el enchufe de entrada para apretar ya que esto puede causar una lesión.

8. Arranque la bomba y revise si hay fugas.

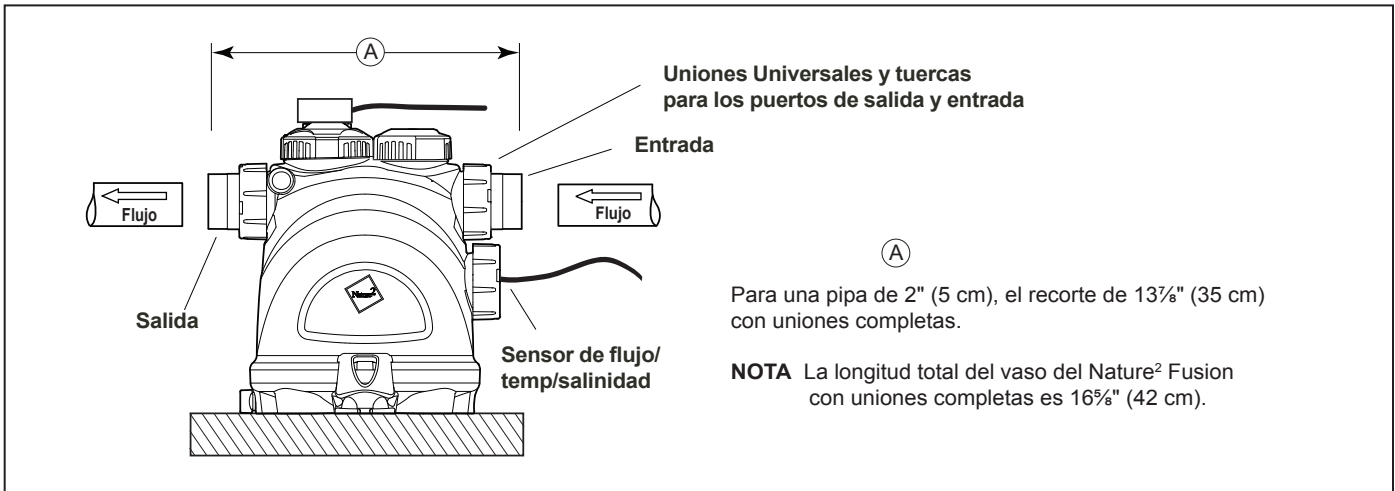


Figura 3. Recorte de tubería

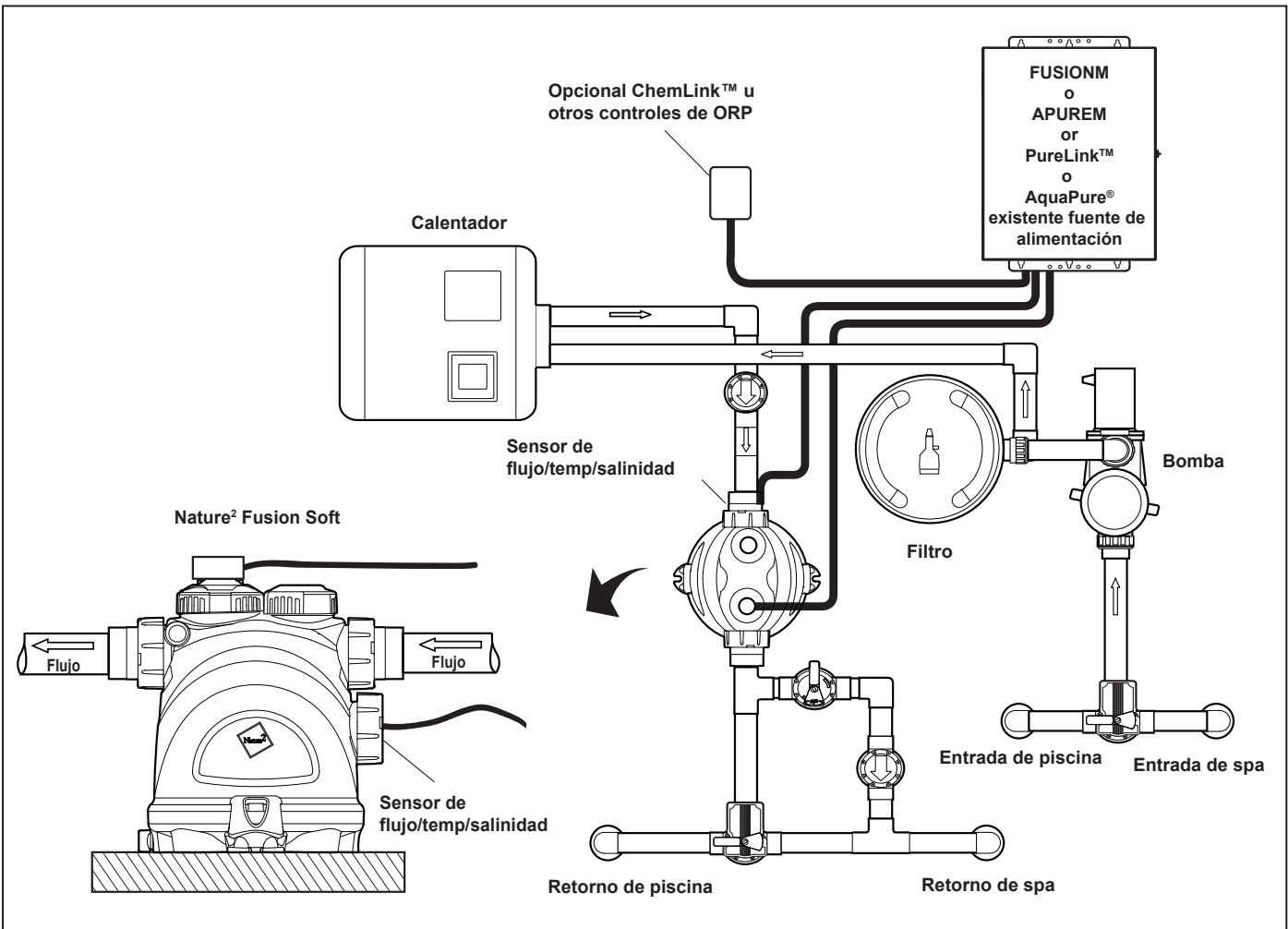


Figura 4. Ejemplo de instalación del Nature² Fusion Soft con opciones

3.5 Instalación de derivación (bypass)

Si el tamaño de cañerías es mayor de 2" (5 cm) de diámetro o si los caudales son mayores de 120 gpm (450 LMP), el vaso deberá hacerse una instalación de derivación (ver Figura 5). Se recomienda que 2" (5 cm) de PVC cédula 40 de tubo se utiliza para una tubería de línea derivada. Una válvula de control debe ser instalada para regular el flujo a través del vaso. Puede ser instalado en el lado de la entrada del vaso o entre la entrada y el lado de descarga de la tubería de derivación.

1. Asegúrese de que la bomba de la piscina está apagada.
2. Quite la tapa del temporal en el lado del cartucho de el vaso, y empezar a instalar el cartucho de Nature² incluido en la caja. No tire de la tapa. Será utilizado para el invierno del sistema.
3. Localice una sección adecuada de la tubería en la línea de by-pass para instalar el vaso, de aproximadamente 17" (43 cm) de largo, que se ajusta a los requisitos de instalación descritos en la sección 3.2.
4. Recorte un 13 7/8" (35 cm) de la sección 2" (5 cm) la cañería para insertar el vaso (véase la Figura 3).
5. Instale uniones "T" en la línea de retorno para que el agua se desvíe al vaso Nature² Fusion Soft.
6. Conecte la línea de derivación desde la union "T" de salida a la entrada del vaso y de la salida del vaso a la segunda union "T".

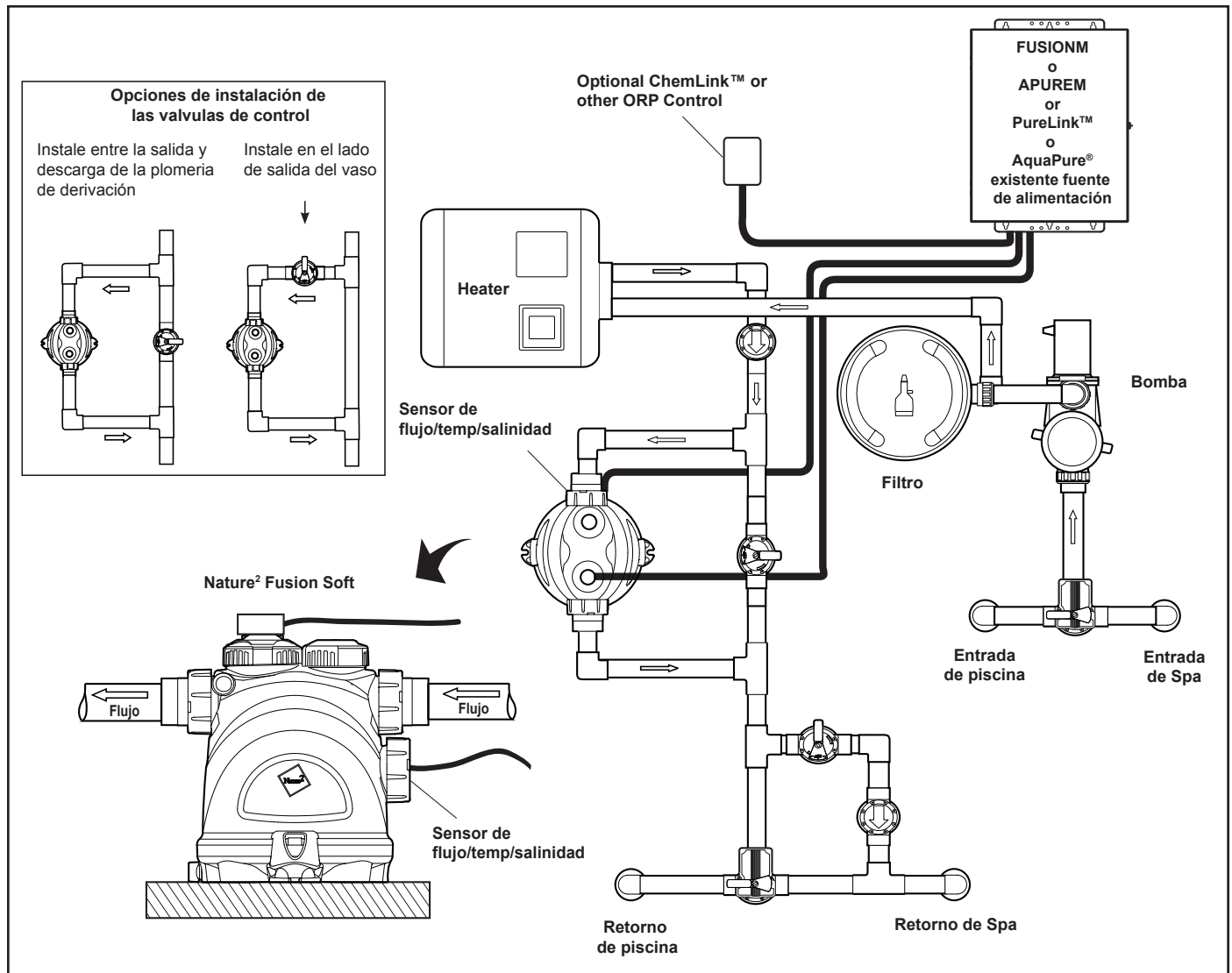


Figura 5. Ejemplo de instalación de derivación

7. Instale una válvula de control en la línea de ida y vuelta entre el primer y el segundo “T”, o antes de la entrada del vaso en la línea de paso para controlar el flujo de agua a través de la plomería de derivación.
8. Apriete a mano todos los uniones, los sensores, y collares.

PRECAUCIÓN

Tenga cuidado de no obtener los dedos atrapados entre el union y el enchufe de entrada para apretar ya que esto puede causar una lesión.

9. Abra completamente todas las válvulas de cierre, incluyendo la válvula de control, y poner la bomba en la desviación de agua a través de la nueva instalación de derivación.
10. Compruebe el vaso y el sistema para detectar si hay fugas.
11. Ajuste de la válvula de control de modo que el flujo a través del vaso es de entre un mínimo de 30 GPM (114 LPM) y un máximo de 120 gpm (455 LPM).

3.6 Instalación de retorno dividido

Si el vaso que se utiliza con un sistema con elemento de agua, debe ser instalado en una fracción de la configuración de retorno o daños en los vasos puede ocurrir.

1. Asegúrese de que la bomba de la piscina está apagada.
2. Quite la tapa del temporal en el lado del cartucho de el vaso, y empezar a instalar el cartucho de Nature² incluido en la caja. No tire de la tapa. Será utilizado para el invierno del sistema.
3. Localice una sección adecuada de la tubería a instalar el vaso que se ajusta a los requisitos de instalación descritos en la sección 3.2.
4. Instale una válvula de tres (3) vías en la línea de retorno para que el agua se desvíe/restrinja al Nature² y a la línea de elementos de agua.
5. Abra completamente todas las válvulas cerradas, incluidas las de 3 vías, para permitir el flujo irrestricto al Nature² Fusion Soft y la línea de elementos de agua.
6. Apriete a mano todos los uniones, los sensores, y collares.

PRECAUCIÓN

Tenga cuidado de no obtener los dedos atrapados entre el union y el enchufe de entrada para apretar ya que esto puede causar una lesión.

7. Encienda la bomba y deje que el agua pase a través del nuevo sistema. Revise si hay fugas.
8. Asegúrese de que el caudal de la Nature² Soft Fusion no baje de 30 gpm (114 LMP).

3.7 Instalación de la FUSIONM o AquaLink® RS PureLink™

PRECAUCIÓN

No se debe considerar adecuado utilizar el centro de distribución de energía eléctrica como equipo de servicio y mantenimiento. Por lo tanto, se requiere tener los medios apropiados de desconexión, aislamiento del circuito, y/o ramal de protección instalado **en sentido ascendente** del centro de energía eléctrica.

NOTA El centro de control debe estar ubicado en o cerca de la plataforma del equipo.

1. Coloque el centro de control por lo menos cinco (5) pies o más lejos de la piscina / spa y cinco (5) pies arriba de tierra. Todos los códigos nacionales, estatales y locales, son aplicables.

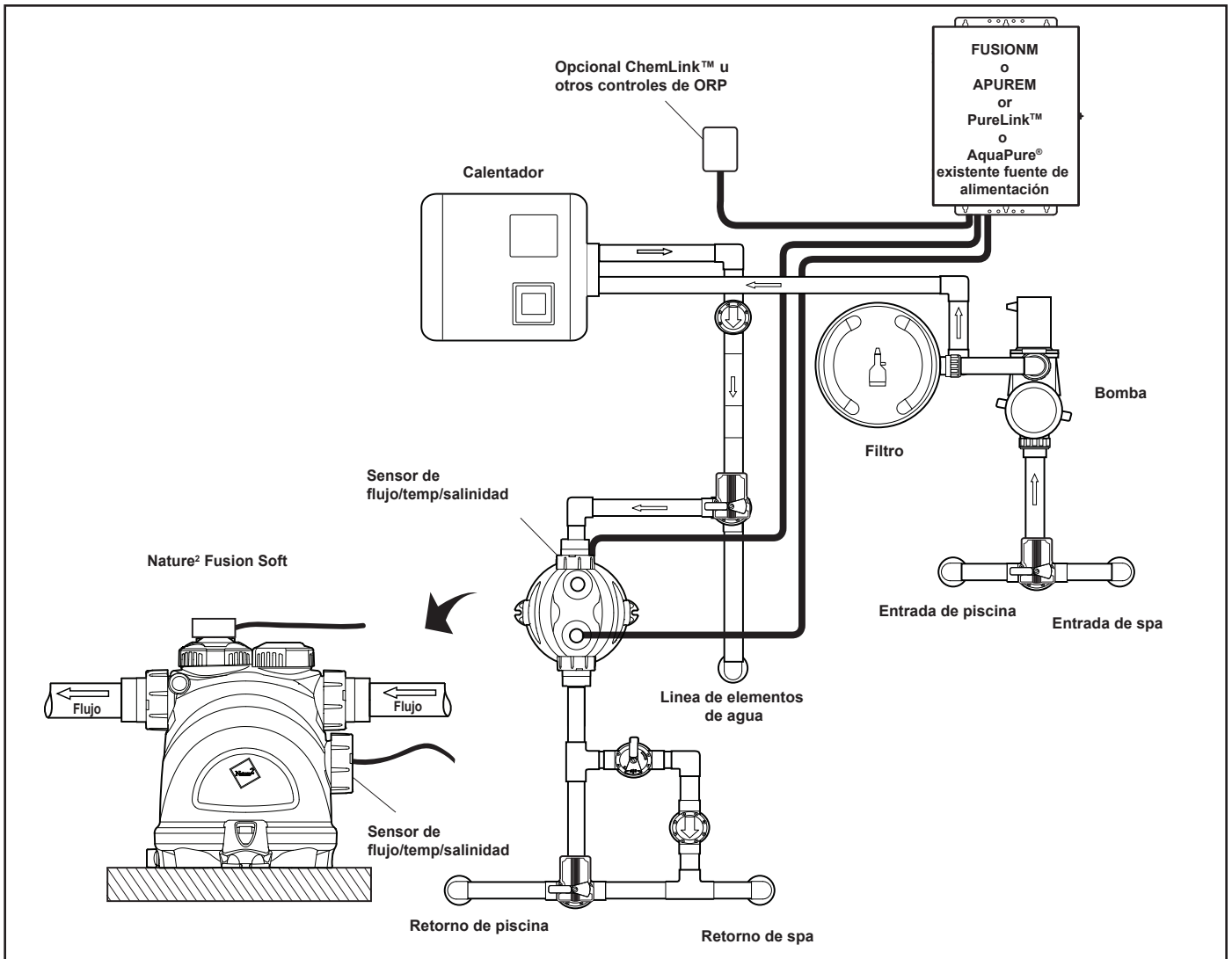


Figura 6. Instalación de retorno dividido de Nature2 Fusion Soft

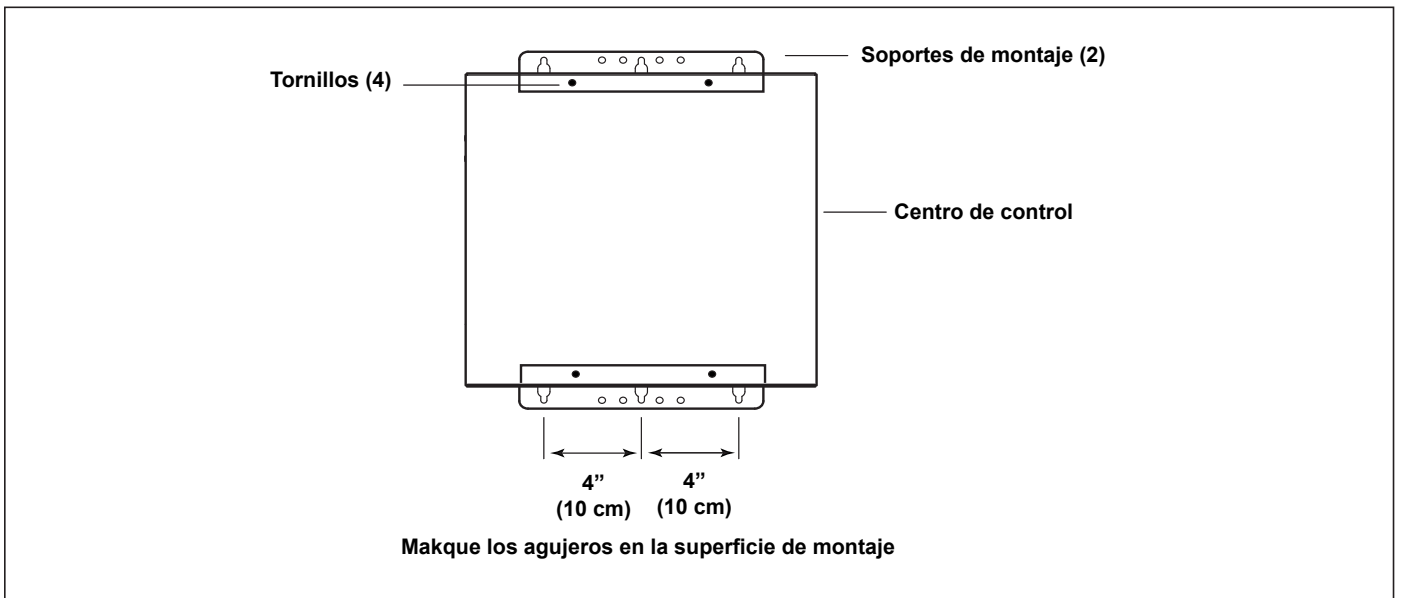


Figura 7. Instalación de la fuente de alimentación

2. El centro de control viene con dos (2) soportes de montaje, colocados en la parte trasera del centro de control durante el envío. Quite los cuatro (4) tornillos que sujetan las dos (2) soportes en el cartón de envío (véase la Figura 7). Retire y deseche el cartón.
3. Utilizando el soporte de montaje superior como guía, marque tres (3) agujeros en la superficie de montaje donde el centro de control se instalará. Perfore los agujeros en la superficie de montaje.

NOTA Los tres (3) agujeros de montaje son de 4 "(10 cm) de separación centro a centro.

NOTA Utilice tornillos de peso pesado. El centro de control con todos los componentes disponibles instalado pesa aproximadamente 30 libras.

4. Vuelva a instalar los soportes de montaje a la parte superior e inferior de la parte trasera del centro utilizando los cuatro (4) tornillos que se han removido en el paso 2. Asegúrese de que los soportes se roten desde la posición original de envío.
5. Cuelgue la fuente de alimentación en la superficie usando los tres (3) agujeros taladrados en el paso 3. Con centro de control en su lugar, marque los tres (3) agujeros en el soporte de montaje inferior.

NOTA Al igual que con los soportes de arriba, se requiere de tres (3) agujeros de montaje. Los tres (3) agujeros de montaje son de 4 "(10 cm) de separación centro a centro.

6. Haga los agujeros e instale los tornillos.
7. Nivele el centro de control y apriete todos los tornillos, asegurando que el centro de control está bien conectado a la superficie de montaje.
8. Verifique el voltaje de la fuente. (Todas las unidades son predeterminadas de fábrica con conexión de cable de 240 VCA). Para poder utilizar el 120 VCA, el cableado interno predeterminado de fábrica del centro de control debe ser cambiado. (Ver Figuras 11 y 13).

3.8 Puesta a tierra y cable de conexión

Un sólido alambre de cobre # 8 AWG (8,4 mm²) se recomienda para conectar el centro de control a una conexión permanente de tierra que sea aceptable a las autoridades locales. Consulte los códigos locales para el calibre correcto de alambre.

El Código Eléctrico Nacional (NEC®) se requiere que equipos de piscina estén puestos a tierra y a cables de conexión. Compruebe los códigos locales para determinar si el NEC y / u otros códigos de instalación local se cumplan de acuerdo con la autoridades competentes (AHJ). Un alambre sólido de cobre # 8 AWG (8,4 mm²) se recomienda, por el CNE, para que la fuente de alimentación este conectada a un enlace permanente, que sea aceptable para las autoridades locales (AHJ). Consulte los códigos locales para el calibre aceptable de alambre. Coloque el punto de unión que se encuentra en la parte inferior de la placa posterior del chasis a un punto común de la tierra. No utilice la fuente de alimentación como el punto de unión común. Cada pieza de equipo no relacionados con la piscina que requiere que sean puestos a tierra. Nunca ponga a tierra una bomba de piscina a la placa trasera del chasis.

3.9 Re-configuración de modelo

La placa del interfaz del Fusion Nature² Soft se configura como un modelo de 1400 Nature² Fusion Soft predeterminado de fábrica.

¡IMPORTANTE!

Si se está instalando un modelo de 700 Nature² Fusion Soft la placa del interfaz debe ser re-configurado.

Para configurar la placa como un modelo de 700 Nature² Fusion Soft, utilice los alicates de corte para cortar el puente JL1 como se muestra en Figura 8.

⚠ PRECAUCIÓN

Si la placa de interfaz del generador de cloro no es re-configurada, la vida de su Nature² Fusion Soft podría ser acortada.

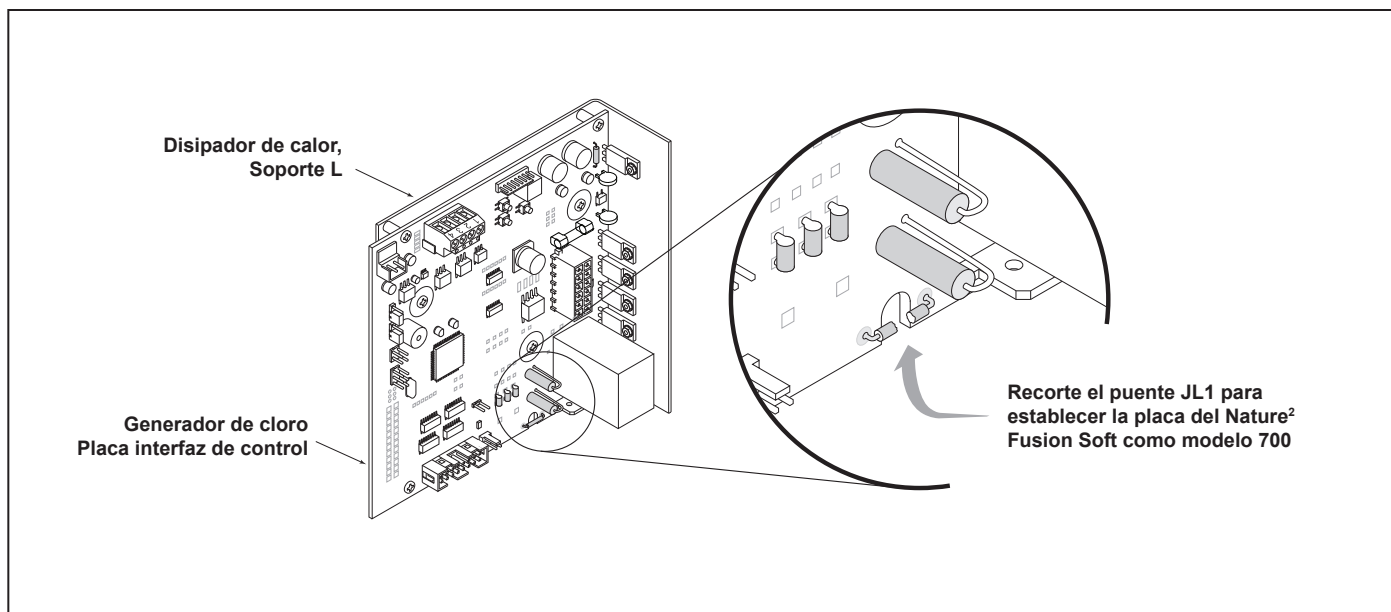


Figura 8. Placa interfaz de control del generador de cloro

3.10 Instalación del interfaz del usuario del generador de cloro en un AquaLink® RS o un bisel del PDA

1. En la placa interfaz del usuario del generador de cloro, conecte un extremo del cable de cinta al conector J1 de 16 clavijas como se muestra en la Figura 9.
2. Conecte el otro extremo del cable de cinta a la placa interfaz en el conector J1 de 16 clavijas.
3. Conecte la placa interfaz del usuario del generador de cloro al bisel usando los cuatro (4) tornillos suministrados.

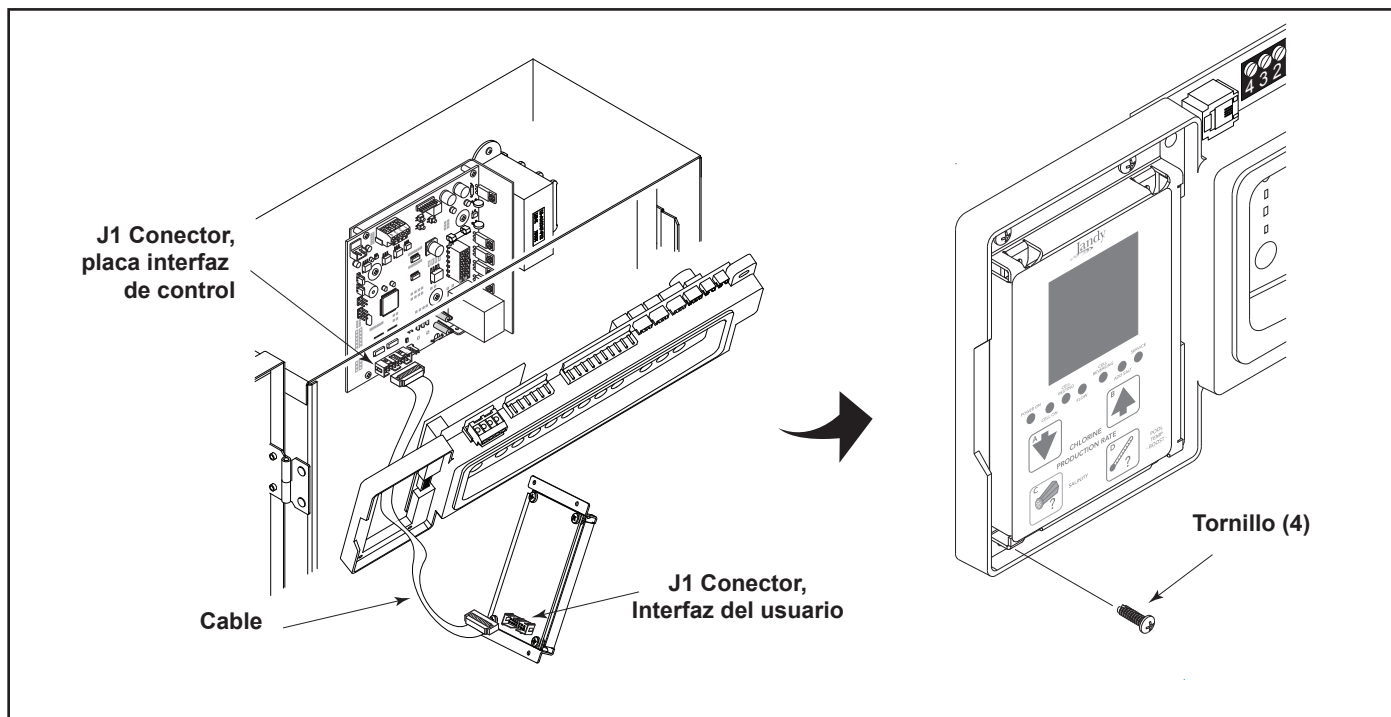


Figura 9. Instalación del interfaz del usuario

3.11 Conexión de la Nature² Fusion Soft y del sensor de flujo/temp/salinidad

⚠ ¡ADVERTENCIA!

ATENCIÓN INSTALADOR: Si el flujo el sensor de flujo/temp/salinidad no se instala correctamente, puede permitir al vaso a operar sin el flujo de agua. Esto causa una acumulación de gases inflamables, provocando un incendio o una explosión.

- Montaje como se muestra en la Figura 10. Esto dará como resultado la operación más confiable.
- **¡IMPORTANTE!** Cada vez que el sensor de flujo/temp/salinidad está conectado o desconectado y vuelto a conectar, la alimentación de CA a la unidad debe apagarse, y enciéndalo de nuevo (ciclo). Si no se apaga y enciende, el funcionamiento de la corriente el sensor de flujo/temp/salinidad no sera fiable.

1. Asegurese que bomba de la piscina esté apagada.
2. Instale el sensor de flujo/temperatura/salinidad en el vaso (ver Figura 10).
3. Instale el dispositivo de alivio de la tensión suministrado con el vaso en la sección de baja tensión en la unidad de alimentación. El extremo del conector de alimentación del cable del sensor flujo/temp/salinidad a través de la instalación dispositivo de alivio de tensión CC. Asegúrese de que el conector esté limpio y seco, a continuación, enchufe el cable al conector situado en el centro de control placa de circuito impreso, como se muestra en las Figuras 11, 12 y 13. (No tire demasiado el cable del sensor flujo/temp/salinidad, permita cierta holgura).
4. Conecte el cable de CC en los postes terminales de la celda que sobresalen en la parte superior de la celda en el vaso de Nature² Fusion Soft. El cable de CC puede ser conectado a la celda en cualquier dirección.
5. Conecte el cable de CC al centro de control. Coloque el cable de CC a través del mismo ojal de ajuste de la instalación como el del sensor de flujo/temp/salinidad en la unidad de alimentación. Conecte el cable de CC en la dos (2) conectores ubicado en el bajo voltaje del centro de control, ver figuras 11, 12 y 13. Este juego de cables establece la conexión entre la celda y la placa de interfaz de energía.

⚠ PRECAUCION

Para evitar el riesgo de daños al equipo y posibles lesiones, es importante asegurarse de que el conector del cable de CC esté totalmente asentado en la celda electrolítica terminales de postes.

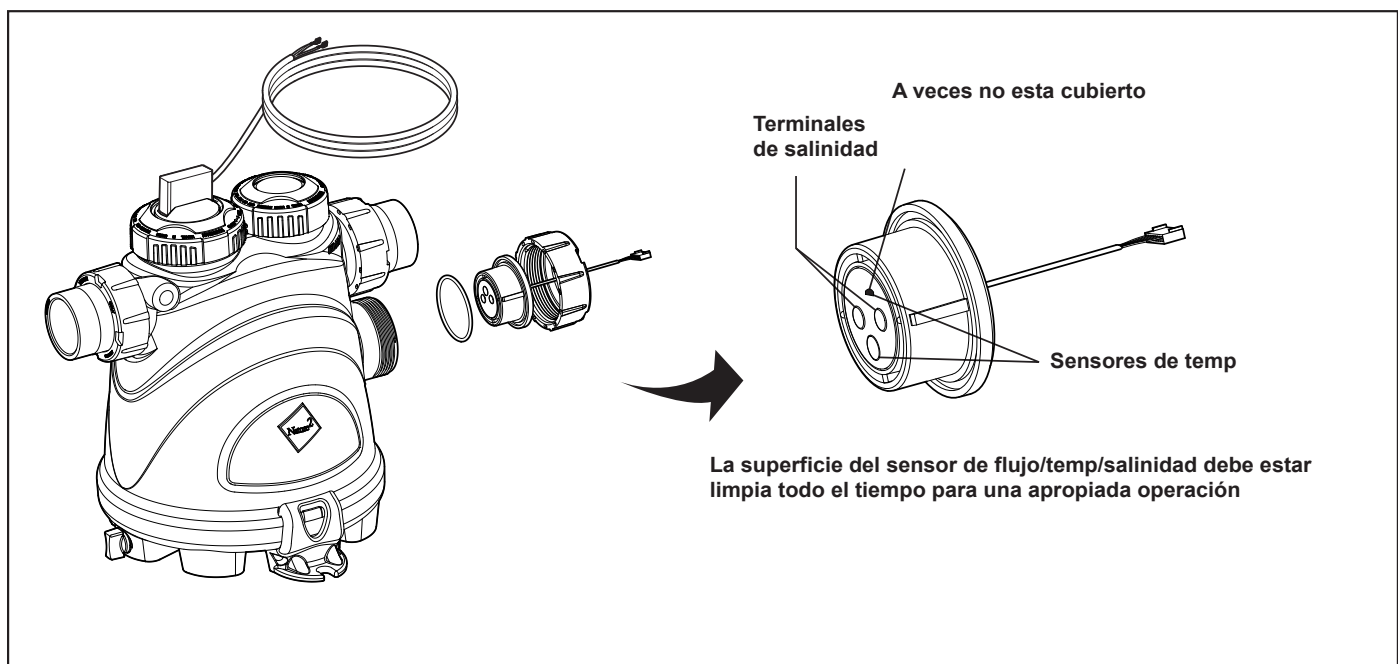


Figura 10. Instalación del vaso y del sensor de flujo/temp/salinidad

6. Apriete el ojal de ajuste para el sensor de flujo/temp/salinidad y el cable de CC. No tire el cable del sensor demasiado.

⚠ PRECAUCION

No apriete demasiado la conexión de alivio de tensión. Apretar en exceso puede causar daño al cable del sensor flujo / temp / salinidad.

7. Antes de volver a instalar la cubierta frontal, compruebe el cableado. Asegúrese de que el sensor de flujo/temp/salinidad este conectado. El cable de CC debe estar conectado. Además, verifique el cableado de la corriente alterna.
8. Si el cable de cinta de la interfaz de usuario conectado a la tarjeta de interfaz de energía fue desconectado durante la instalación vuelva a conectarlo antes de volver a instalar la cubierta (ver Figuras 11, 12 y 13).

⚠ ADVERTENCIA

No haga funcionar la celda electrolítica, sin circulación de agua. Una acumulación de gases inflamables dará lugar a incendio o explosión.

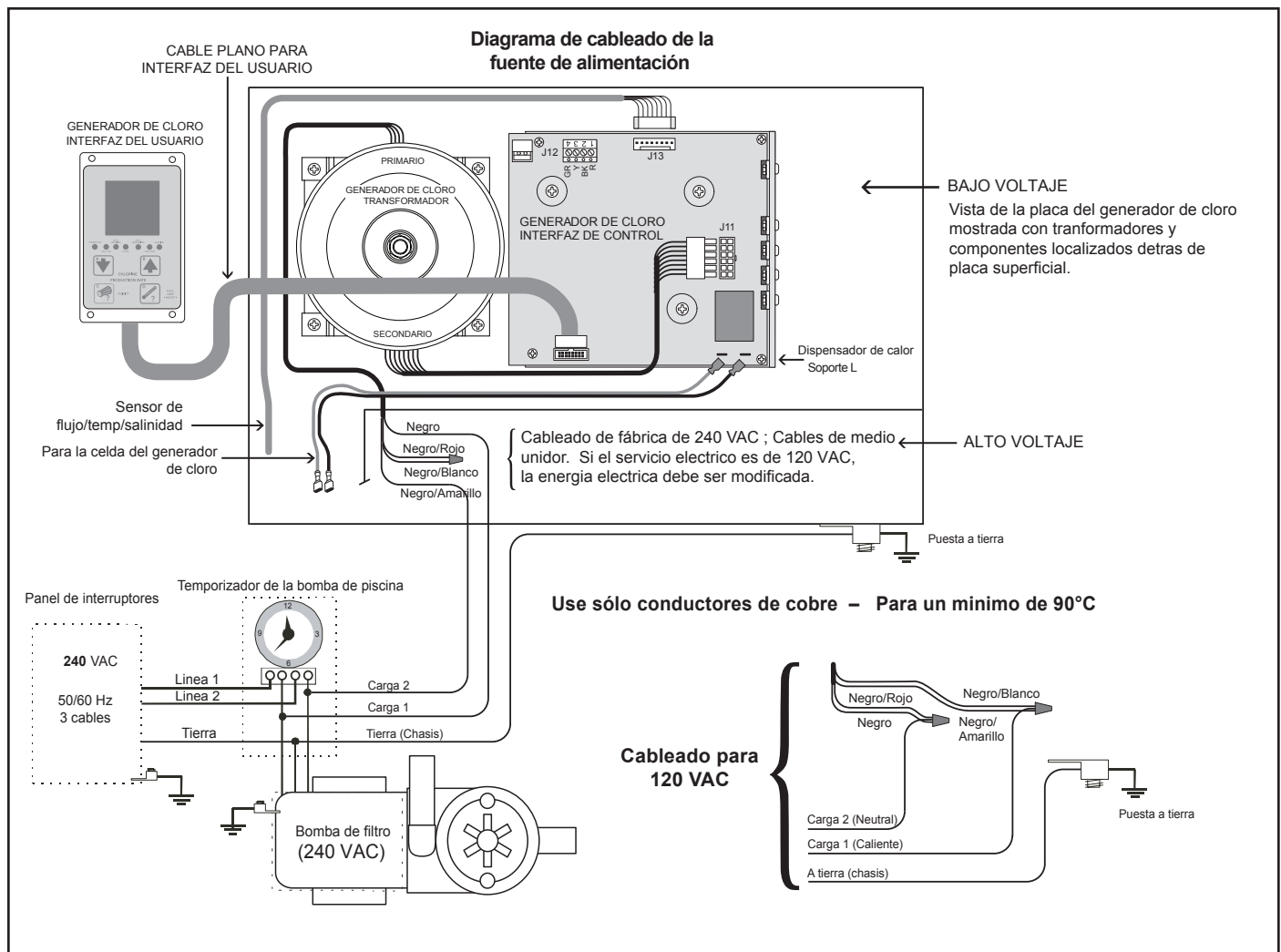


Figura 11. Diagrama del la fuente de alimentación

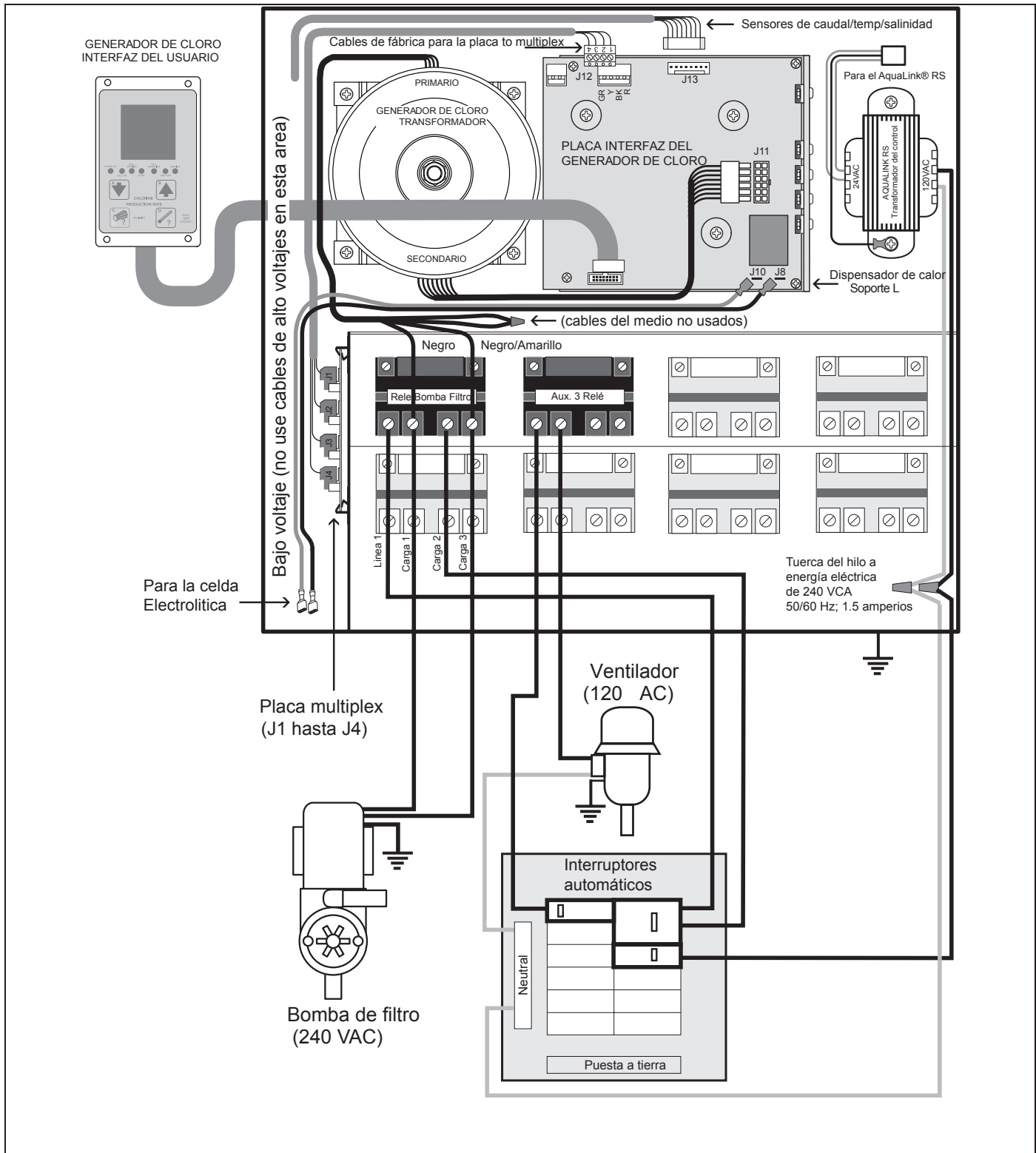


Figura 12. Diagrama de cableado para el sistema AquaLink® RS PureLink™ con respecto a 240 VCA bomba filtro

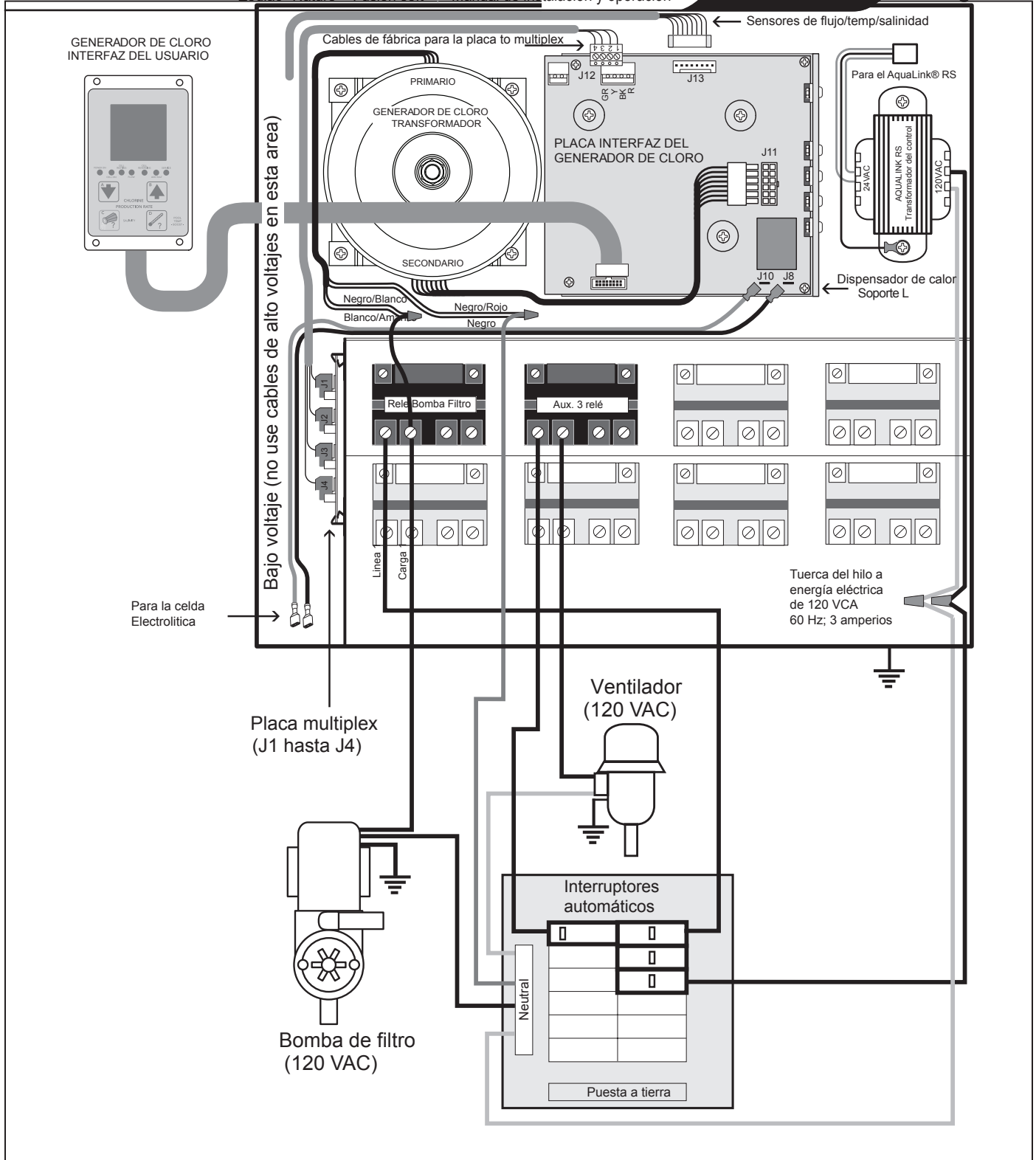


Figura 13. Diagrama de cableado para el sistema AquaLink® RS PureLink™ con respecto a 120 VCA bomba filtro

3.12 Conexión al Sistema de Control de AquaLink® RS

El Jandy® AquaLink RS es un multi-controlador de la piscina que puede controlar totalmente la función del generador de cloro del Nature2 Fusion Soft. La interfaz de usuario del generador de cloro mostrará “JA”, cuando se pulsa cualquiera de sus botones mientras que el AquaLink RS controla. El ajuste de la tasa de producción de cloro o el modo de refuerzo (BOOST) puede ser controlado desde el menú principal del controlador del AquaLink RS (All Button, OneTouch™, o PDA). El Modo de refuerzo (BOOST) también se puede activarse desde la interfaz de usuario del generador de cloro mientras el AquaLink RS este en línea. Consulte el Manual de Operación del AquaLink RS (o el Manual de Operación del PDA AquaLink RS) para más información. La interfaz de usuario del generador de cloro mostrará la temperatura, la salinidad, los códigos de servicio, y los indicadores LED como normal.

NOTA El Nature2 Soft Fusion y el PureLink™ se comunicará con AquaLink RS utilizando las versiones de firmware JJ o posterior.

3.12.1 Cableado Nature2 Fusion Soft a un Jandy AquaLink RS

En el centro de la AquaLink RS, conecte el Nature2 Fusion Soft directamente con la parte de carga del relé de la bomba de filtro (ver Figura 14).

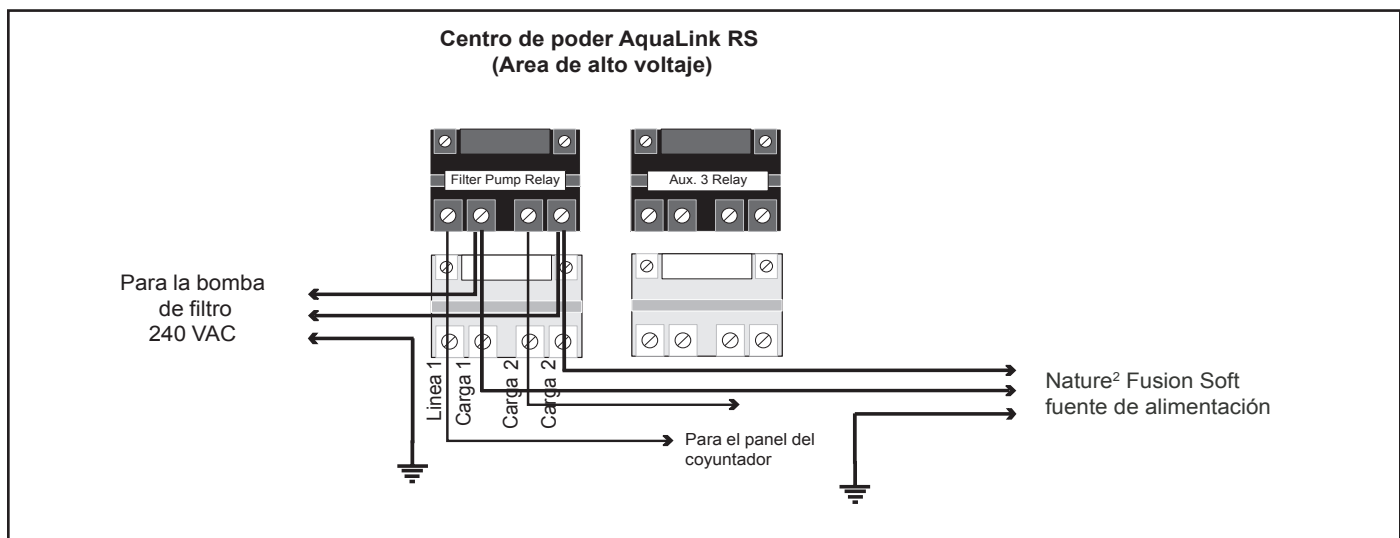


Figura 14. Conexión del AquaLink RS y el Nature2 Fusion Soft

El AquaLink RS y el Nature2 Fusion Soft usan cuatro (4) conexiones del cable de comunicación y se pueden conectar hasta 500 pies (150 m) de distancia. Cualquier cable exterior nominal de cuatro (4), mínimo 22 AWG, se puede utilizar. Localice los terminales de tornillo adecuado en el circuito de acuerdo a la Figura 15. Conecte el cable del Nature2 Fusion Soft de la barra terminal de 4 clavijas a la barra terminal roja de 4 clavijas del AquaLink RS.

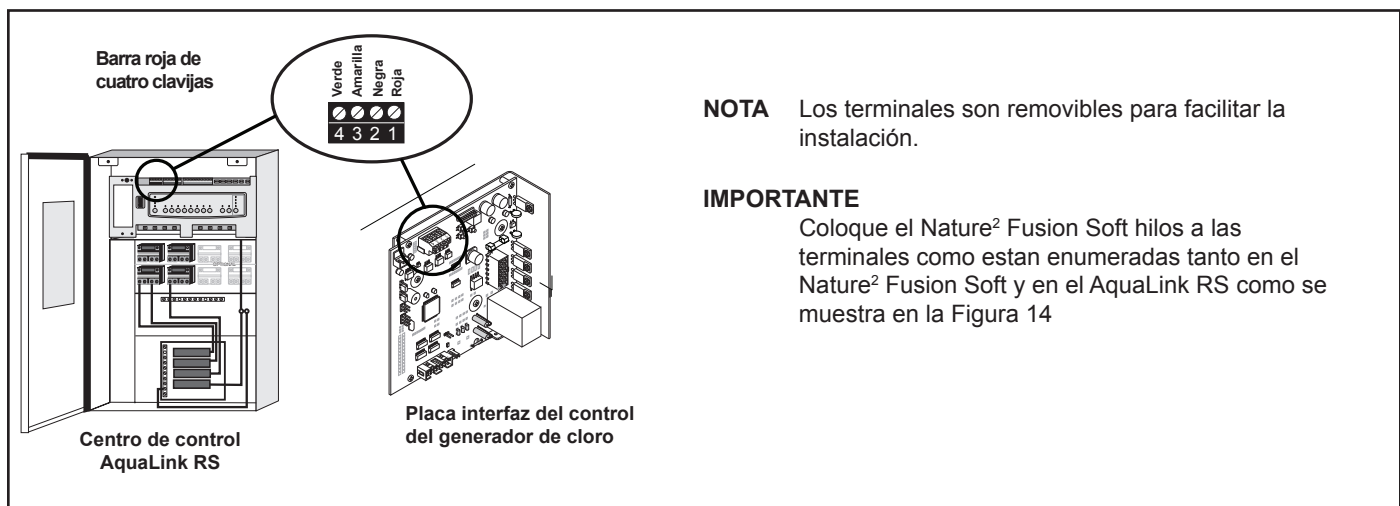


Figura 15. Cableado del Nature2 Fusion Soft con un sistema de control AquaLink RS

3.12.2 Conexión del generador electrónico de cloro PureLink™ a un Jandy® AquaLink® RS

La electrónica del generador de cloro en el centro de control PureLink y el controlador de AquaLink RS requiere conexión de cuatro (4) cables de comunicación. Para el exterior un nominal de cuatro (4) cables, mínimo 22 AWG, se puede utilizar. Localice las terminales de tornillo adecuado en el circuito de acuerdo a las figuras 16a y 16b. Desde el generador de cloro del interfaz conecte barra terminal roja de cuatro clavijas con la barra terminal roja de cuatro clavijas del AquaLink RS. Vea la figura 1.

Conecte los cables del transformador del PureLink al lado de la carga del relé de bomba de filtración. Ver Figuras 12 y 13.

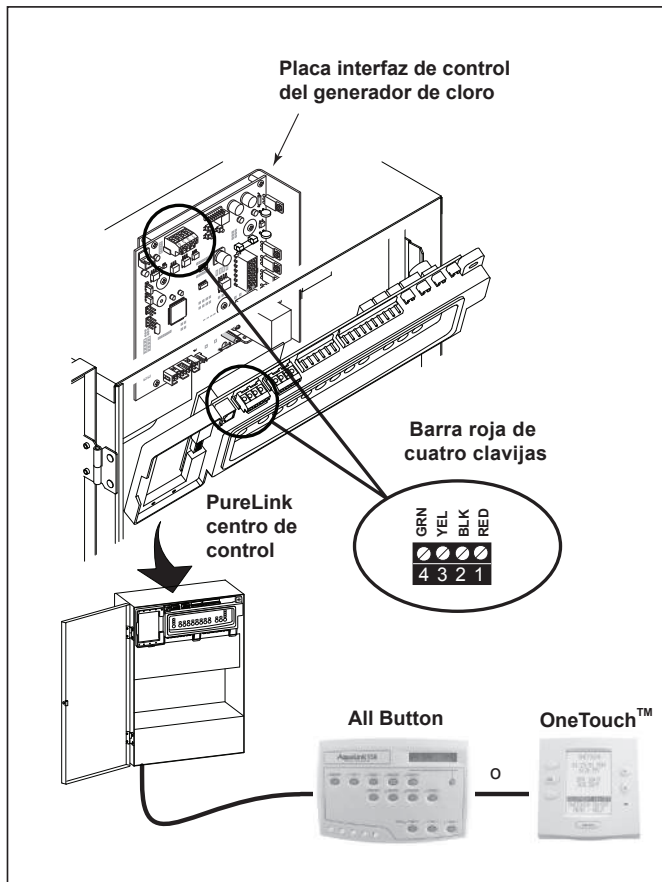


Figure 16a. Cables al sistema red del PureLink

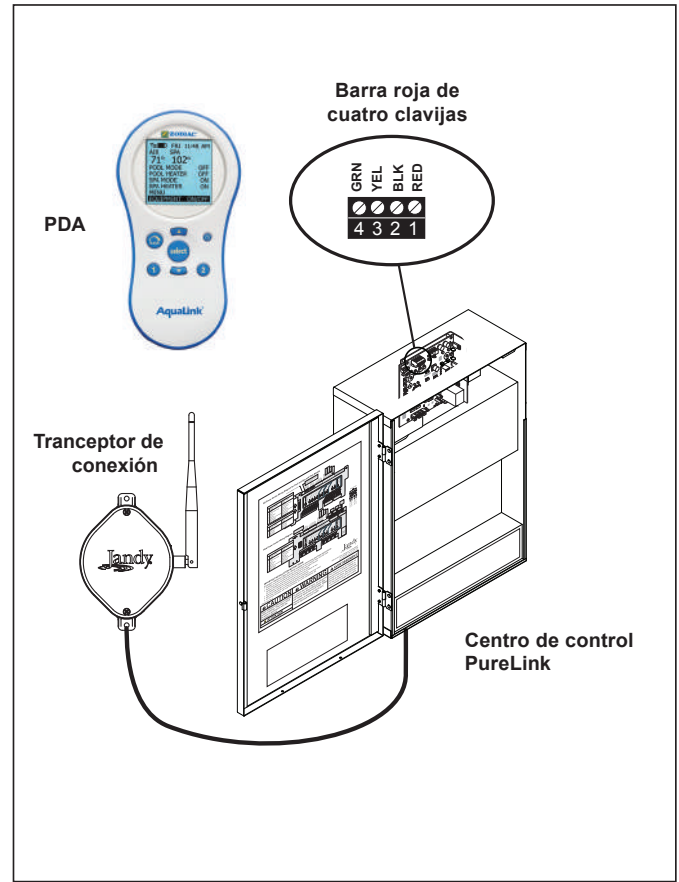


Figure 16b. Cables al sistema red de control PDA

3.13 Operación de la placa de control externo / ORP

Un dispositivo externo como un ORP (potencial reducción oxidación) controlador de suministro de 24 voltios de CA puede usarse para controlar la salida de la cloración. El tablero de control de cloración se puede configurar en el campo para operar en dos (2) modos diferentes. El modo de operación está determinada por la posición de un jumper J14 muebles. Ver la Figura 17 para la ubicación.

POS-1 Espere por lo menos un (1) minuto después de encenderlo. Véase la nota 1.

Con el puente J14 establece POS-1 y no hay voltaje aplicado al conector J15 24 ORP VCA, el clorador funciona normalmente mostrando la tasa de producción del 0% al 100% en la parte frontal de la fuente de alimentación.

Al 24 voltios AC se aplica a las 24 entradas ORP VCA, la producción de cloro se desactivará.

El panel frontal de la fuente de alimentación entonces parpadeará "CE" (control externo). Una vez que la entrada de 24 voltios de CA se retira el generador de cloro volverá al funcionamiento normal. El "CE" será sustituido con la producción actual de ajuste de 0% a 100%.

POS-2 Espere por lo menos un (1) minuto después de encenderlo. Véase la nota 1.

Colocando el puente en POS-2 permite que el clorador opere en el sentido contrario a POS-1. Con 24 voltios de CA se aplica a los 24 entradas ORP VCA, la producción de cloro se activará. El panel frontal de la fuente de alimentación se mostrará una tasa de producción del 0% a 100%. Cuando la CA de 24 voltios se retira el generador de cloro flash “CE” cada pocos segundos y la producción de cloro está deshabilitada.

RESUMEN

POSICIÓN DE J14	24 VCA	0 VCA
POS-1 (de fábrica)	Desconecte la unidad, muestra CE	Unidad, muestra 0-100%
POS-2	Unidad, muestra 0-100%	Desconecte la unidad, muestra CE

Nota 1 La unidad de las muestras de control externo / ORP en la configuración de potencia instantánea se aplica a la cloración y no responderá a los cambios durante el primer minuto de la operación. La unidad puede aparecer a estar atascado en o sobresalía de la “CE” de modo. Espere varios minutos hasta que la unidad se haya calentado para verificar los cambios realizados para establecer el control externo-up.

Nota 2 A diferencia de los modelos de producción anterior con el control de ORP, cloradores múltiples pueden ser unidos entre sí para ser controlados con un controlador de ORP sin el uso de relés externos y transformadores. Comuníquese con la fábrica para obtener más información.

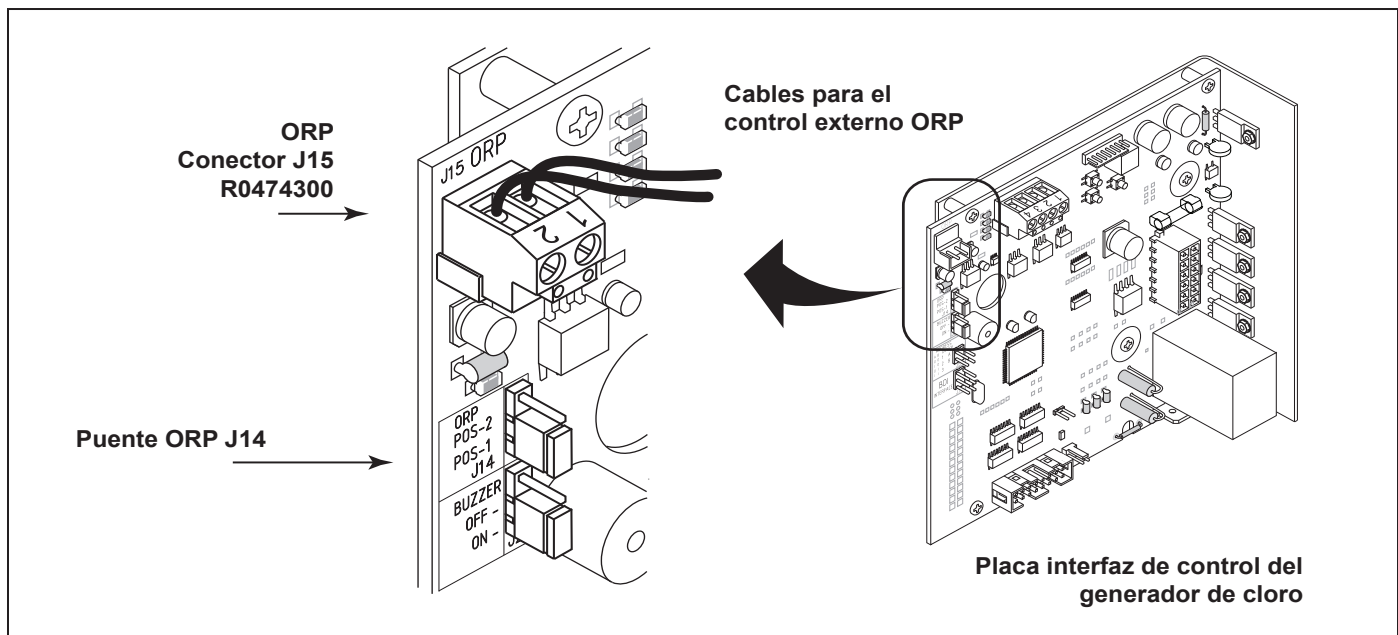


Figura 17. Puente móvil ORP J14

Sección 4. Preparación del agua de piscina

4.1 Determinación del tamaño de piscina (galones de agua en la piscina)

- **Piscinas rectangulares**
Longitud media (pies) x anchura media (pies) x profundidad media (pies) x 7.5 = galones de capacidad.
- **Piscinas circulares**
Diámetro (pies) x diámetro (pies) x profundidad media (pies) x 5.9 = galones de capacidad.
- **Piscinas ovales**
Diámetro largo (pies) de diámetro x corto (pies) x profundidad media (pies) x 5.9 = galones de capacidad.
- **Lados inclinados**
Multiplicar el total de galones por 0,85 = galones de capacidad.

4.2 Determinación del tamaño de piscina (litros de agua en la piscina)

- **Rectangular Piscinas**
Duración media (metros) x ancho promedio (metros) x profundidad media (metros) x 1000 = litros de capacidad.
- **Piscinas circulares**
Dámetro (metros) x diámetro (metros) x profundidad media (metros) x 790 = litros de capacidad.
- **Piscinas ovaes**
Diámetro largo (metros) x diámetro corto (metros) x profundidad media (metros) x 790 = litros de capacidad.
- **Lados inclinados**
Multiplicar el total de litros por 0,85 = litros de capacidad.

4.3 Seleccionando el tamaño del cartucho

Fusion Soft 700	Fusion Soft 1400
Nature2 Mineral cartridge requerido DuoClear® 25 o Nature2 Fusion 25 #W28000 (singular) #W26000 (4-paquete) Producción de cloro 0,625 libras / día (283 g / día)	Nature2 Mineral cartucho requerido DuoClear 45 o Nature2 Fusion 45 #W28002 (singular) #W26002 (4-paquete) Producción de cloro 1,25 libras / día (567 g / día)
Piscina privada Hasta 12.000 galones (hasta 45.000 litros) (Véase la regla general en las notas abajo)	Piscina privada Hasta 40.000 galones hasta 151.000 litros) (Véase la regla general en las notas abajo)

Regla general del tamaño: En las zonas con uso todo el año y altas temperaturas del agua, como Florida, Texas, Arizona, Las Vegas y el sur de California, la debe considerar lo siguiente:

Uso todo el año: Aumentar el tamaño del dispositivo de Nature² Fusion Soft o la adición de más de una unidad se puede recomendar para las piscinas que están cerca del tamaño máximo y de uso anual. Por favor, consulte con un representante calificado de servicio.

Alta temperatura del agua: Debido a que aumenta la demanda de cloro con el aumento de la temperatura del agua, los ajustes deben hacerse a fin de cumplir con la demanda de cloro. En los meses de verano, donde la temperatura del agua sube por encima de 85 °F (30 °C), debe aumentar el tiempo de actividad de la bomba y aumentar la producción de cloro (%).

4.4 Química que usted necesita saber

- **Estabilizador de cloro** (ácido cianúrico) es necesaria para mantener los niveles adecuados de cloro. La mayoría de cloro inestable es destruida por la radiación UV del sol dentro de los dos (2) horas. Estabilizador de cloro debe mantenerse entre 10 a 50 ppm. Para las piscinas cubiertas, no es necesario añadir estabilizador de cloro al agua de la piscina.
- **Los nitratos** pueden causar las demandas de cloro muy alta y se agotan el cloro de su piscina. En algunos casos, incluso los nitratos pueden bajar sus niveles de cloro a cero. El representante local de servicio cualificado puede probar de nitratos. Asegúrese de que los nitratos no están presentes en su piscina.
- **Los Metales (algunos metales)** puede causar la pérdida de cloro. Además, los metales pueden manchar su piscina. Haga que su local cualificado representante del servicio de verificación de los metales y recomendar los métodos de eliminación.
- **Las cloraminas** no deben estar presentes en el agua de la piscina. Cuando se combinan con materiales orgánicos libre de cloro, se forman las cloraminas. Esto se relaciona el cloro libre en la piscina y no permite que el cloro en la piscina de desinfectar. Las cloraminas también nube de agua de la piscina y quemar los ojos. Choque para eliminar las cloraminas en el arranque inicial de la piscina.
- **La super cloración** quema el material orgánico que se ha combinado con el cloro. Esto libera el cloro para desinfectar. Al experimentar cargas pesadas de natación o de fuertes lluvias, use la modalidad de refuerzo (BOOST) para maximizar la producción de cloro.
- **Dosis de shock** (Superoxidation) es también una forma de quemar el material orgánico que se ha combinado con el cloro. Este método implica la adición manual de productos químicos para aumentar rápidamente el nivel de cloro. Cuando el nivel de cloro se levantó rápidamente de 5 a 15 ppm, el agua de la piscina se dice que se han sorprendido.

NOTA En el arranque inicial de una piscina, es mejor dar una sacudida eléctrica utilizando una fuente alterna, es decir, utilizar un tratamiento de choque disponibles en su proveedor de piscina local.

⚠ PRECAUCIÓN

Nunca use ácido seco para ajustar el pH en las zonas áridas zonas geográficas con la evaporación excesiva y de la dilución mínima de agua de la piscina con agua dulce. Una acumulación de los subproductos puede dañar la celda electrolítica.

- La condición de **pH** resultante de la operación del sistema de cloración de agua salada se encuentra cerca de neutral. Sin embargo, otros factores que suelen provocar el pH del agua de la piscina a subir. Por lo tanto, el pH en una piscina con cloro por un sistema de agua salada tiende a estabilizarse en aproximadamente 7,6. Si el pH sube por encima de 7,6 piscina un representante calificado de servicio tiene que probar para ver si otros factores como la dureza de calcio o alcalinidad total es la causa y luego equilibre correctamente.
- **Total de Sólidos Disueltos (TDS)** añadir sal a la piscina de agua elevará el nivel de TDS. Si bien esto no afecta negativamente a la química del agua de la piscina o la claridad, el agua de la piscina debe ser probada por un profesional para TDS debe hacerse saber que la sal se ha añadido para el sistema de desinfección. La persona que realiza la prueba de TDS luego debe restar el nivel de salinidad para llegar al nivel de TDS correcto.
- **Piscina de agua nueva** en una cubierto recientemente o en la piscina recién barnizado puede contener materias indeseables. Esta cuestión no deseada podría interferir con la capacidad de la cloración de agua salada para desinfectar adecuadamente. Asegúrese de que el agua es probada por un representante calificado de servicio y debidamente equilibrada antes de encender el sistema de cloración. Piscinas con nuevo rebestimiento tienen una demanda constante de ácido por seis (6) meses. La comprobación periódica y la corrección del pH reducirá la necesidad de la limpieza manual de la celda.
- **Agentes de secuestro** puede ser utilizados en algunas áreas donde la dureza total del agua de su fuente puede ser inusualmente alto. Elevada dureza total, puede contribuir a la formación de sarro en la piscina. Los agentes de secuestro ayudarán a mantener los minerales en solución y en ciertas condiciones puede impedir que esto suceda. Consulte a un representante de servicio cualificado sobre el uso de un agente de secuestro.

4.5 Piscina óptima las condiciones del agua

De acuerdo con las normas de la Asociación de Profesionales de Pool y Spa (APSP), se recomienda las condiciones siguientes del equilibrio del agua que se mantendrá para proteger el acabado de la piscina y los equipos y garantizar la agradable apariencia del agua. El Nature² Soft Fusion se justifica para funcionar correctamente sólo si se cumplen estas condiciones.

Cloro Libre	0,5 a 3,0 ppm. La exposición continua a niveles por encima de 3,0 ppm puede causar la corrosión de los metales de la piscina. Consulte la Sección 6.2 para pruebas de cloro Procedimiento
Cloro combinado (cloraminas)	(Ninguna Super cloro para eliminar todas las cloraminas.)
pH	7,4 - 7,6 (Use ácido muriático para bajar el pH y la ceniza y elevar el pH.)
Estabilizador de cloro (ácido cianúrico)	10 - 50 ppm (solo para piscinas exteriores)
Alcalinidad total	80 - 120 ppm.
Calcio	175 - 400 ppm.
Metales	Ninguno.
Nitratos	Ninguno.
Fosfatos	Ninguno.

4.6 La sal (NaCl Cloruro de Sodio)

4.6.1 Al añadir sal

Añadir sal a la piscina si la sal es demasiado baja (ver Cuadro 1). Para una recién renovada piscina, se recomienda esperar al menos 30 días (superficie debe estar completamente curada) antes de añadir sal. Siga las instrucciones del fabricante de la superficie para su piscina particular. Para vinilo y fibra de vidrio, piscinas, la sal se puede añadir en el inicio.

4.6.2 ¿Qué tipo de sal?

- La más pura la sal es mejor para la vida y el rendimiento de la celda electrolítica. Utilice una sal que es de al menos 99,8% de NaCl puro. La sal es un ideal evaporada, granulado, la calidad de los alimentos, la sal no yodada. Consulte a su proveedor de sal.
- Evite el uso de sal con antiaglomerantes (ferrocianuro de sodio, también conocido como YPS o Prusiato de sodio) que pueden causar la decoloración de algunos de los accesorios y acabados de superficie en la piscina.
- “Bolititas” de agua salada acondicionado se comprimen las formas de la sal se evapora y puede ser utilizado, pero tardará más tiempo en disolverse.
- **No utilice el cloruro de calcio como fuente de sal. (Cloruro de sodio Utilice solamente.)**
- **No utilice sal de roca (impurezas insolubles se mezcla con la sal de roca puede acortar la vida de la unidad).**

4.6.3 ¿Cuánta sal utilizar?

Use la Tabla 1 para determinar la cantidad de sal se necesita. La mayoría de las piscinas contienen algo de sal dependiendo de la fuente de agua y productos químicos utilizados para desinfectar. Si la cloración de agua salada no se ha activado por cable y, sin embargo, una tira de prueba de sal o una mano medidor calibrado de NaCl (sal) puede ser usado para determinar la concentración de sal existente del agua. Si la unidad está conectada (conectada), la utilizan para determinar la salinidad. La temperatura del agua puede afectar a la lectura de la salinidad, siempre prueba de la salinidad en los lugares de equipos.

Establecer la producción de cloro a 00%. De funcionamiento de la unidad por encima de 00% de la producción de sal, sin dañar la celda electrolítica. El botón C en la salinidad desinfectante de teclado interfaz de usuario se puede utilizar para determinar la salinidad en el caso de una instalación nueva piscina, o un cambio completo del agua mientras la producción de cloro se establece en 00%. Consulte Sección 5.4.2, el paso 2.

- 3.000 - 3.500 ppm de sal se recomienda para las condiciones del agua óptima.
- La concentración de sal de baja por debajo de 2.000 ppm a causa de la falla prematura de la celda.
- Alta concentración de sal por encima de 4.000 ppm pueden dañar el centro de control.
- Alta concentración de sal por encima de 6.000 ppm pueden causar daños de corrosión a los accesorios de la piscina.

NOTA En caso de exceso de sal inadvertidamente añadido a la piscina véase la sección 7, Solución de problemas.

4.6.4 ¿Cómo agregar sal a la piscina?

1. Encienda la bomba para hacer circular el agua de la piscina.

IMPORTANTE La producción de cloro se apaga pulsando el botón de flecha “A” y la configuración de la velocidad de producción de cloro a 00%.

2. Pruebe el agua para el nivel de salinidad del uso de tiras reactivas, medidor electrónico, o por su representante calificado de servicio.
3. Utilice la Tabla 1 para determinar la cantidad de sal a añadir. Sea conservador al añadir sal, ya que es más fácil de añadir más si es necesario de lo que es para diluir si hay demasiada sal.
4. Esparsa sal en la piscina. No agregue a través de espumador (skimmer), drenaje principal, o tanque de reposo. Cepille la sal alrededor de la piscina para facilitar la disolución. Sistema de filtro de circular durante 24 horas para garantizar una distribución uniforme.
5. Después de 24 horas, verifique la lectura correcta de sal.
6. Encienda el sistema y ponga la deseada tasa de producción de cloro (presionando los botones de flecha A o B).

NOTA Para obtener una nueva piscina o recién renovada piscina, se recomienda esperar al menos 30 días (superficie debe estar completamente curado) antes de añadir sal. Siga los fabricantes de superficie de la piscina directrices para su piscina particular. Para vinilo y fibra de vidrio, piscinas, la sal se puede añadir en el inicio.

Table 1. Libras aproximado y kilogramos de sal necesaria para obtener 3,0 gpl (3.000 ppm)

Conc. de sal antes de añadir ppm	Tamaño de piscina US Galones (Litros)									
	10,000 g (38,000 L)	12,000 g (45,000 L)	14,000 g (53,000 L)	16,000 g (60,000 L)	18,000 g (68,000 L)	20,000 g (76,000 L)	22,000 g (83,000 L)	24,000 g (91,000 L)	26,000 g (98,000 L)	28,000 g (106,000 L)
000	250 lbs (113 kgs)	300 lbs (136 kgs)	350 lbs (159 kgs)	400 lbs (181 kgs)	450 lbs (204 kgs)	500 lbs (227 kgs)	550 lbs (249 kgs)	600 lbs (272 kgs)	650 lbs (295 kgs)	700 lbs (318 kgs)
250	230 lbs (104 kgs)	280 lbs (127 kgs)	320 lbs (145 kgs)	370 lbs (168 kgs)	415 lbs (188 kgs)	460 lbs (209 kgs)	510 lbs (231 kgs)	550 lbs (249 kgs)	600 lbs (272 kgs)	645 lbs (293 kgs)
500	210 lbs (95 kgs)	250 lbs (113 kgs)	295 lbs (134 kgs)	340 lbs (154 kgs)	380 lbs (172 kgs)	420 lbs (191 kgs)	460 lbs (209 kgs)	505 lbs (229 kgs)	545 lbs (247 kgs)	590 lbs (268 kgs)
750	190 lbs (86 kgs)	230 lbs (104 kgs)	270 lbs (122 kgs)	300 lbs (136 kgs)	340 lbs (154 kgs)	380 lbs (172 kgs)	420 lbs (191 kgs)	460 lbs (209 kgs)	495 lbs (225 kgs)	530 lbs (240 kgs)
1000	165 lbs (75 kgs)	200 lbs (91 kgs)	230 lbs (104 kgs)	265 lbs (120 kgs)	300 lbs (136 kgs)	330 lbs (150 kgs)	360 lbs (163 kgs)	400 lbs (181 kgs)	430 lbs (195 kgs)	460 lbs (209 kgs)
1250	145 lbs (66 kgs)	175 lbs (79 kgs)	200 lbs (91 kgs)	230 lbs (104 kgs)	260 lbs (118 kgs)	290 lbs (132 kgs)	320 lbs (145 kgs)	350 lbs (159 kgs)	380 lbs (172 kgs)	410 lbs (186 kgs)
1500	125 lbs (57 kgs)	150 lbs (68 kgs)	175 lbs (79 kgs)	200 lbs (91 kgs)	225 lbs (102 kgs)	250 lbs (113 kgs)	275 lbs (125 kgs)	300 lbs (136 kgs)	325 lbs (147 kgs)	350 lbs (159 kgs)
1750	105 lbs (48 kgs)	130 lbs (59 kgs)	150 lbs (68 kgs)	170 lbs (77 kgs)	190 lbs (86 kgs)	210 lbs (95 kgs)	230 lbs (104 kgs)	250 lbs (113 kgs)	275 lbs (125 kgs)	295 lbs (134 kgs)
2000	85 lbs (39 kgs)	100 lbs (45 kgs)	120 lbs (54 kgs)	140 lbs (63 kgs)	150 lbs (68 kgs)	170 lbs (77 kgs)	190 lbs (86 kgs)	205 lbs (93 kgs)	100 lbs (45 kgs)	240 lbs (109 kgs)
2250	60 lbs (27 kgs)	70 lbs (32 kgs)	85 lbs (39 kgs)	100 lbs (45 kgs)	110 lbs (50 kgs)	120 lbs (54 kgs)	130 lbs (59 kgs)	145 lbs (66 kgs)	160 lbs (73 kgs)	168 lbs (76 kgs)
2500	40 lbs (18 kgs)	50 lbs (23 kgs)	60 lbs (27 kgs)	65 lbs (29 kgs)	70 lbs (32 kgs)	80 lbs (36 kgs)	90 lbs (41 kgs)	100 lbs (45 kgs)	105 lbs (48 kgs)	110 lbs (50 kgs)
2750	20 lbs (9 kgs)	25 lbs (11 kgs)	30 lbs (14 kgs)	30 lbs (14 kgs)	40 lbs (18 kgs)	40 lbs (18 kgs)	45 lbs (20 kgs)	50 lbs (23 kgs)	50 lbs (23 kgs)	60 lbs (27 kgs)

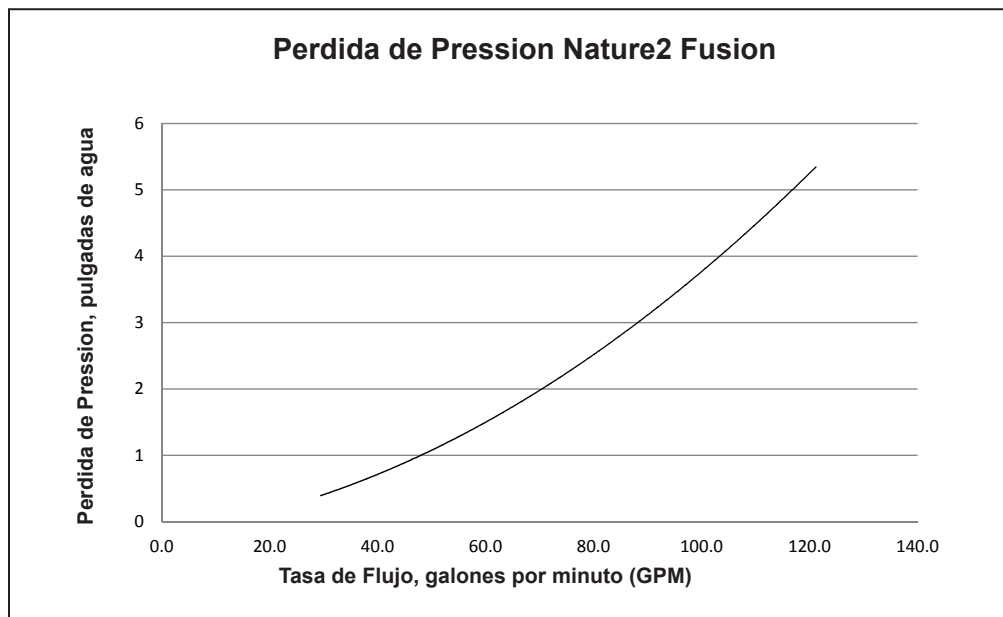
Conc. de sal antes de añadir ppm	Tamaño de piscina US Galones (Litros)									
	30,000 g (113,000 L)	32,000 g (121,000 L)	34,000 g (129,000 L)	36,000 g (136,000 L)	38,000 g (144,000 L)	40,000 g (151,000 L)	42,000 g (159,000 L)	44,000 g (166,000 L)	45,000 g (169,000 L)	
000	750 lbs (340 kgs)	800 lbs (363 kgs)	850 lbs (386 kgs)	900 lbs (408 kgs)	950 lbs (431 kgs)	1000 lbs (454 kgs)	1052 lbs (477 kgs)	1102 lbs (500 kgs)	1127 lbs (511 kgs)	
250	690 lbs (313 kgs)	736 lbs (334 kgs)	782 lbs (355 kgs)	828 lbs (376 kgs)	874 lbs (396 kgs)	920 lbs (417 kgs)	963 lbs (437 kgs)	1010 lbs (458 kgs)	1032 lbs (468 kgs)	
500	630 lbs (286 kgs)	672 lbs (305 kgs)	714 lbs (324 kgs)	756 lbs (343 kgs)	796 lbs (362 kgs)	840 lbs (381 kgs)	875 lbs (397 kgs)	917 lbs (416 kgs)	939 lbs (426 kgs)	
750	570 lbs (259 kgs)	608 lbs (276 kgs)	646 lbs (293 kgs)	684 lbs (310 kgs)	722 lbs (327 kgs)	760 lbs (345 kgs)	789 lbs (358 kgs)	827 lbs (375 kgs)	844 lbs (383 kgs)	
1000	495 lbs (225 kgs)	528 lbs (240 kgs)	561 lbs (254 kgs)	594 lbs (269 kgs)	627 lbs (284 kgs)	660 lbs (299 kgs)	701 lbs (318 kgs)	734 lbs (333 kgs)	752 lbs (341 kgs)	
1250	435 lbs (197 kgs)	464 lbs (210 kgs)	493 lbs (224 kgs)	522 lbs (237 kgs)	551 lbs (250 kgs)	580 lbs (263 kgs)	613 lbs (278 kgs)	642 lbs (291 kgs)	657 lbs (298 kgs)	
1500	375 lbs (170 kgs)	400 lbs (181 kgs)	425 lbs (193 kgs)	450 lbs (204 kgs)	475 lbs (215 kgs)	500 lbs (227 kgs)	525 lbs (238 kgs)	551 lbs (250 kgs)	564 lbs (256 kgs)	
1750	315 lbs (143 kgs)	336 lbs (152 kgs)	357 lbs (162 kgs)	378 lbs (171 kgs)	399 lbs (181 kgs)	420 lbs (191 kgs)	439 lbs (199 kgs)	459 lbs (208 kgs)	470 lbs (213 kgs)	
2000	255 lbs (116 kgs)	272 lbs (123 kgs)	289 lbs (131 kgs)	306 lbs (139 kgs)	323 lbs (147 kgs)	340 lbs (154 kgs)	351 lbs (159 kgs)	368 lbs (167 kgs)	375 lbs (170 kgs)	
2250	180 lbs (82 kgs)	192 lbs (87 kgs)	204 lbs (93 kgs)	216 lbs (98 kgs)	228 lbs (103 kgs)	240 lbs (109 kgs)	262 lbs (119 kgs)	276 lbs (125 kgs)	282 lbs (128 kgs)	
2500	120 lbs (54 kgs)	128 lbs (58 kgs)	136 lbs (62 kgs)	144 lbs (65 kgs)	152 lbs (69 kgs)	160 lbs (73 kgs)	176 lbs (80 kgs)	183 lbs (83 kgs)	187 lbs (85 kgs)	
2750	60 lbs (27 kgs)	64 lbs (29 kgs)	68 lbs (31 kgs)	72 lbs (33 kgs)	76 lbs (34 kgs)	80 lbs (36 kgs)	88 lbs (40 kgs)	93 lbs (42 kgs)	95 lbs (43 kgs)	

NOTA Agregue la sal cuando sea necesario para mantener la concentración de 3,0 gpl.

Table 2. Libras aproximada y kilogramos de estabilizador necesario para obtener 50 ppm

Nivel de ácido cianurico - ppm	Galones and (Litros) de agua para piscinas/spa							
	10,000 gal (38,000 L)	15,000 gal (57,000 L)	20,000 gal (76,000 L)	25,000 gal (95,000 L)	30,000 gal (113,000 L)	35,000 gal (132,000 L)	40,000 gal (151,000 L)	45,000 gal (170,000 L)
0	4.2 lbs (1.9 kg)	6.3 lbs (2.9 kg)	8.4 lbs (3.8 kg)	10.5 lbs (4.8 kg)	12.6 lbs (5.7 kg)	14.8 lbs (6.7 kg)	16.9 lbs (7.6 kg)	19.0 lbs (8.6 kg)
10	3.4 lbs (1.5 kg)	5.1 lbs (2.3 kg)	6.7 lbs (3.1 kg)	8.4 lbs (3.8 kg)	10.1 lbs (4.6 kg)	11.8 lbs (5.4 kg)	13.5 lbs (6.1 kg)	15.2 lbs (6.9 kg)
20	2.5 lbs (1.1 kg)	3.8 lbs (1.7 kg)	5.1 lbs (2.3 kg)	6.3 lbs (2.9 kg)	7.6 lbs (3.4 kg)	8.9 lbs (4.0 kg)	10.1 lbs (4.6 kg)	11.4 lbs (5.2 kg)
30	1.7 lbs (0.8 kg)	2.5 lbs (1.2 kg)	3.4 lbs (1.5 kg)	4.2 lbs (1.9 kg)	5.1 lbs (2.3 kg)	5.9 lbs (2.7 kg)	6.7 lbs (3.1 kg)	7.6 lbs (3.4 kg)
40	0.8 lbs (0.4 kg)	1.3 lbs (0.6 kg)	1.7 lbs (0.8 kg)	2.1 lbs (1.0 kg)	2.5 lbs (1.2 kg)	3.0 lbs (1.3 kg)	3.4 lbs (1.5 kg)	3.8 lbs (1.7 kg)

NOTE La tabla de arriba es para referencia general. La lectura recomendada es de estabilizador de entre 10 - 50 ppm y que varían en función del clima geográfico. Climas cálidos y soleados exigirá una lectura estabilizador en el extremo superior del rango indicado. Consulte a su representante local para su nivel óptimo. Siempre añada estabilizador de acuerdo a las instrucciones del fabricante. No es necesario añadir estabilizador para las piscinas cubiertas.

**Figura 18. Curva de Perdida de Pession**

Sección 5. Manual de instrucciones

NOTA La interfaz de usuario se encuentra dentro del centro de control. Para acceder al panel de control, abra la puerta para el centro de control. Vea la figura 1.

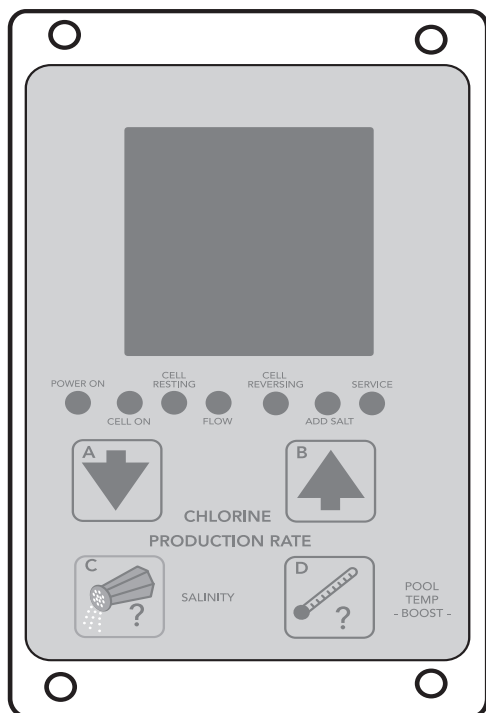


Figura 19. Interfaz del usuario

NOTA Cuando un temporizador de bomba de la piscina es utilizada para limitar el tiempo de ejecución de cloración, las 24 horas sólo se cuenta atrás, cuando el clorador está encendido.

Temperatura

Presione el botón Temperatura D para verificar la temperatura del agua de la piscina. La visualización en pantalla de las medidas de temperatura pueden ser en grados Fahrenheit o en grados Celsius. Para mayor información, véase la Sección 8. Controles de interfaz de usuario de funcionamiento cuando el Sistema de Control AquaLink® RS está en línea

Ajuste de tasa de producción de cloro con AquaLink RS en línea

La interfaz de usuario se puede utilizar para ajustar la tasa de producción de producción (%) cuando el sistema de cloración de agua salada es controlado por el AquaLink RS sólo cuando el AquaLink RS se coloca en modo de servicio. Cuando el botón de flecha hacia abajo A o el botón de flecha B está presionado, un JA en la pantalla indica que el AquaLink RS es el control de todo el sistema, incluyendo las tasas de salida de la producción.

El sistema de control AquaLink RS se debe establecer en modo de servicio antes de cambiar la tasa de producción de cloro desde el centro de control de interfaz de usuario avanzado.

NOTA El botón BOOST en la interfaz de usuario se iniciará ciclo de refuerzo (BOOST) AquaLink RS si está en línea o sin conexión.

AquaLink RS Sistema de Control

Pulse el botón de modo de selección para mover el AquaLink RS desde el modo automático en modo de servicio. La luz indicadora de servicio se encenderá.

Pulse el botón de la válvula de selección para elegir el modo de piscina para cambiar la producción de cloro de la piscina o spa o para cambiar el modo de producción de cloro.

Pulse el botón de filtro de la bomba para encender la bomba y la alimentación eléctrica al sistema de desinfección.

5.1 Controles de interfaz de usuario

Ajuste de tasa de producción de cloro

Al pulsar el botón de flecha hacia abajo A o el botón de flecha hacia arriba B cambiará el valor de producción de cloro en incrementos de 5%. En general, los ajustes a la producción deben hacerse en incrementos de 10%. En el sistema de PureLink™, los ajustes a la tasa de producción de cloro se pueden realizar desde el control del AquaLink® RS o del centro de control del interfaz del usuario.

Salinidad

Pulse el botón C para comprobar la salinidad de la salinidad del agua en la piscina.

Refuerzo

Presione y mantenga presionada el botón de Temperatura (temperatura) D durante 10 segundos para entrar a la modalidad de Boost (refuerzo) (Notará que Boost (refuerzo) titilará intermitentemente). Boost (refuerzo) se puede usar para fijar la producción de cloro al máximo del (100%) durante 24 horas de funcionamiento. Después de 24 horas del tiempo de operación del clorador, la producción de cloro nuevamente volverá a la configuración previa. Para borrar la modalidad Boost, (refuerzo) presione de nuevo y mantenga presionada el botón Temperature (temperatura) por 10 segundos.

Centro de control del interfaz de usuario

Pulse el botón de flecha hacia abajo A o el botón de flecha B para cambiar la tasa de producción de cloro en incrementos de 5%. En general, los ajustes a la producción deben hacerse en incrementos de 10%.

AquaLink RS Sistema de Control

Presione Mode Select (modalidad Selección) para configurar el AquaLink® RS en la modalidad Time Out (tiempo de espera).

Presione de nuevo el botón Mode Select (modalidad Selección) para volverlo a configurar en la modalidad Auto (automático).

NOTA El sistema de control AquaLink RS debe estar en modo piscina para cambiar la configuración de producción de cloro piscina tipo, y debe estar en modo de spa para cambiar la tasa de producción de cloro del spa. Utilice el botón de selección para cambiar entre los dos (2) modos. El sistema se debe desplazar a SERVICE (servicio y mantenimiento), TIME OUT (tiempo de espera), luego se regresa a AUTO (automático) para que pueda aceptar la configuración de la piscina en oposición a la del spa.

5.2 Lectura de la pantalla

Celda encendida

El indicador muestra que la celda de la celda ha sido activada. Algunas de las razones para el indicador sobre la celda no está en pleno funcionamiento normal, son: CHLORINE PRODUCTION (la producción de cloro) está configurada en 00%, CHLORINE PRODUCTION (la producción de cloro) está configurada a menos de 100% y CELL RESTING (celda en descanso) aparece durante el período de reposo de la celda, la condición NO FLOW (sin flujo), dos minutos después del ciclo de limpieza automática, se ha activado el apagado en temperatura baja, o puede haber algún problema relacionado con el mantenimiento técnico como el nivel de salinidad por debajo de 2,0 gpl; o el nivel de salinidad muy alto.

Reposo de la celda

Durante el ciclo de producción normal de cloro, si la unidad está configurada por debajo del 100%, la celda se desactivará periódicamente; es decir, la unidad no producirá cloro. La visualización en pantalla de CELL RESTING (celda en descanso) significa que el centro de distribución de energía eléctrica ha apagado la celda.

Indicación de flujo o sin flujo

Cuando el centro de control detecta que hay flujo de agua a través del sensor de flujo/temp/salinidad, la indicación de FLOW (flujo) se visualizará en pantalla. Cuando no se detecta ningún flujo, el NO FLOW (sin flujo) se visualiza en pantalla y la celda se apaga.

Inversión de celda

El ciclo de limpieza automática está en curso. El ciclo de limpieza viene configurado de fábrica y no se puede ajustar. La inversión de celda no interrumpe la producción de cloro.

Salinidad

La salinidad se presenta junto con el indicador de gpl (gramos por litro), cuando se presiona el botón Salinity. Si se visualiza en pantalla la lectura de HH, la salinidad está por encima de 4,5 hasta 6,5 gpl (dependiendo de la temperatura del agua) y es demasiado alta para medirla correctamente (a temperaturas normales). Mantenga la salinidad entre 3,0 y 3,5 gpl. Véase Sección 4.

Añada sal

El indicador ADD SALT(añada sal) aparece cuando el sensor de flujo/temp/salinidad determina que el nivel de salinidad del agua de la piscina es demasiado bajo. Mantenga la salinidad entre 3,0 y 3,5 gpl.

Mantenimiento y código de mantenimiento

El indicador SERVICE (servicio y mantenimiento) se enciende siempre que se detecte algún problema que requiera atención. El indicador SERVICE (servicio y mantenimiento) viene acompañado a un código de mantenimiento presentado en el panel frontal y presentado como un código de 3 dígitos. El (los) código(s) de mantenimiento(s) se visualizan en pantalla dos veces por minuto con una alarma audible.

NOTA Véase la sección 7.2, códigos de servicio. Los problemas pueden ir desde la salinidad insuficiente para el cable de CC no está conectado.

Alarma audible

De una alarma acústica (bip) suena una vez por hora, y sólo para el código de servicio en primer lugar, cuando se detecta una condición de servicio. La alarma se puede borrar pulsando y manteniendo pulsado el botón SALINIDAD (C) durante cinco (5) segundos. La alarma sonora puede ser limpiado durante 24 horas o hasta que la alimentación de la unidad se apaga y de nuevo en lo que ocurra primero. Sin embargo, la alarma acústica de retorno si se detecta un problema nuevo.

NOTE La alarma sonora puede ser una discapacidad permanente, eliminando el puente de J2, sobre el control / centro de alimentación de energía a bordo de la interfaz.

Control de volumen

Funcionamiento de la alarma acústica y control de volumen se puede ajustar. Para ajustar el control de volumen, presione y mantenga presionado el botón de temperatura (D) durante 15 segundos. El sistema emitirá un sonido cuando se pulsa una vez, una vez después de 10 segundos y una vez después de 15 segundos. Suelte la tecla después de la señal tercero. Segundo Pulse el botón SALINIDAD (C) dentro de los cinco (5) para entrar en la pantalla de cambio de temperatura.

NOTA El impulso de ciclo se activa normalmente después de 10 segundos, sin embargo, si la llave se mantiene hasta que después de la señal tercero a 15 segundos, el impulso modo no será cambiado.

El sistema mostrará F seguido de “un ‘1 ‘o’ C ‘. Pulse el botón de temperatura (D) para pasar a la pantalla de segundo parámetro. En la pantalla aparecerá un 0, y el volumen de la alarma estará totalmente reducida. El sistema de vez en cuando muestran un ‘2 ‘para mostrar el número en pantalla. Pulse el botón de la flecha B para aumentar el volumen y el botón de la flecha A para reducir el volumen. Los incrementos de volumen de 0 a 100 en 20 pasos. Después de cada pulsación de los botones de flecha, la alarma se activará para demostrar el nivel de volumen actual. Cuando el volumen de la alarma se ha ajustado a la configuración deseada, pulse el botón (C) salinidad para confirmar el nuevo ajuste de volumen de la alarma. El cambio se almacenan en la memoria permanente. Si usted no desea mantener el cambio, espere cinco (5) segundos, y la pantalla de cambio ‘Time Out’ y restablecer el funcionamiento normal sin mantener ningún cambio en el sistema. Cualquier cambio realizado en el volumen de la alarma no se guardarán si esto ocurre.

5.3 Operación

PRECAUCIÓN

Antes de intentar operar el dispositivo, consulte la sección 4. Además, no ajustar la producción de cloro por encima de 00%, hasta lo cierto es que la sal se ha disuelto en la piscina. De funcionamiento sin sal puede dañar la celda electrolítica.

El uso de una piscina exterior con temporizador de la bomba no es necesario con el clorador de agua salada y la fuente de alimentación. El clorador está diseñado para suministrar una cantidad suficiente de cloro para desinfectar el agua de la piscina en una base diaria. Si el sistema funciona las 24 horas del día a la tasa de producción de 100%, más cloro se generaría lo que sería necesario por la mayoría de las piscinas (0,5 - 3,0 ppm). El sistema de control de cloración tiene un temporizador que los ciclos de la celda electrolítica y bajar dependiendo de qué porcentaje se establece para la tasa de producción de cloro. Por ejemplo, en el 100% de la celda está en todo el tiempo mientras la bomba está funcionando. Cuando el sistema se fija en 90%, la celda de descanso el 10% del tiempo que ayuda a prolongar la vida de la celda. Con el fin de afinar la producción de cloro para piscinas de tamaño sólo aumentar o disminuir la tasa de producción de cloro del 00% al 100% hasta que el nivel de cloro en la piscina se estabilice entre 0,5 a 3,0 ppm, mientras que la bomba está en funcionamiento (véase la sección 5.4.3, pasos 1-5).

NOTA El sistema de cloración sólo opera cuando la bomba está funcionando. Durante los meses de calor puede ser necesario aumentar la bomba de tiempo de ejecución para permitir la producción de cloro suficiente.

Si está conectado al sistema de control AquaLink RS o usar un temporizador de bomba de la piscina. La Asociación de Pool & Spa Professionals (APSP) recomienda que toda el agua en una piscina residencial de pasar a través del sistema de filtración de al menos una vez cada 12 horas (conocido como el volumen de negocios piscina de agua). Sin embargo, muchos factores tienen un efecto en efectivo de la bomba y el sistema de filtro de los tiempos de ejecución. Tamaño de la piscina, fuente de agua, la luz directa del sol, para interiores y exteriores, se proyectó / blindada, sistema de filtración, el frío o en caliente, la carga de nadador, la lluvia, los desechos orgánicos, algas, etc, son todos factores que contribuyen a más o menos bomba de la piscina y el sistema de filtro de los tiempos de ejecución. Debido a estas diferencias, es muy difícil fijar un tiempo de ejecución inicial (punto de partida) para la bomba de la piscina y el sistema de cloración.

Trate de establecer al principio la piscina de la bomba de tiempo de ejecución a 12 horas por día. Le tomará unos días para obtener sólo el grupo de derecho funcionamiento de la bomba de tiempo. Ajustar en consecuencia con los pasos enumerados en la sección 5.4.3, “aplicar el poder”, los pasos 1-5. Cuando la Nature2 Fusion Soft está conectado con un temporizador de bomba de la piscina los resultados varían mucho de una instalación de la piscina a la siguiente, así que esto debe ser discutido con el constructor o la piscina o al representante local de servicio calificado.

Los puntos clave son:

- Comprobar nivel de cloro en forma regular y ajustar la tasa de producción de cloro (%) en consecuencia.
- Operar la bomba de la piscina, al menos, el tiempo mínimo necesario para la filtración de bien.
- El temporizador de bomba de la piscina se reduce el consumo de energía.

NOTA Producción de cloro se puede ajustar en incrementos de 5% en la interfaz de usuario oa través del sistema de control AquaLink RS.

NOTA Excepción - Operación en frío: Si la cloración de agua salada se establece en las 24 horas del día durante el invierno, las temperaturas del agua muy fría puede contribuir a una reducción de la vida útil de la celda electrolítica. A veces será necesario ejecutar el clorador a un ritmo de producción muy bajos (10 - 20%) o apagar la unidad. Consulte Sección 6.7.

5.4 Arranque

5.4.1 Procedimiento de arranque

1. Instale el cartucho después de que el agua ha sido equilibrado.
2. Con el sistema de circulación apagado (OFF), remueva el collar de la parte del sistema del Nature2. Si se trata de un sistema recién instalado, retire y guarde el tapón temporal suministrado con la unidad.
3. Inserte el cartucho de arranque del Nature2 y sustituya el collar y apriételo con la mano.
4. Encienda el sistema de circulación de la piscina.
5. Para las piscinas con nueva agua, reemplazar después de 30 días con el cartucho de minerales Nature2 [siete (7) días para otras piscinas]. Véase la sección 4.3.

5.4.2 Dosis de shock

La dosis de shock (superoxidation) en el agua de la piscina desde una fuente alternativa en el momento de arranque de la piscina es para quemar los contaminantes. En condiciones normales de funcionamiento del clorador es capaz de generar un nivel suficiente de cloro para el saneamiento de varias horas. Sin embargo, si el agua de la piscina tiene una alta demanda de cloro, debido a las condiciones de arranque entonces el clorador no será capaz de producir cloro suficiente para llegar a romper la cloración punto. La dosis de shock implica la adición manual de productos químicos para aumentar rápidamente el nivel de cloro. Cuando el nivel de cloro se levanta rápidamente de 5 a 15 ppm, el agua de la piscina se dice que ha sido sorprendido. Espere hasta que el nivel de cloro ha vuelto a 0,5 a 3,0 ppm antes de encender el sistema de cloración de agua salada.

5.4.3 Aplicación de energía

1. Encienda la bomba de la piscina. Cuando el clorador se enciende por primera vez (en frío), la unidad emitirá un pitido. Lo siguiente será la auto calibración del sensor sensor de flujo/temp/salinidad. Después de pasar la prueba interna y la calibración, la pantalla mostrará la configuración actual de la producción de cloro (00% a 100%). Durante el período de calibración “Esperar” (WAIT) aparecerá. , la unidad es auto calibración y haciendo pruebas internas. Este proceso usualmente toma menos de seis (6) minutos.
2. Verifique el nivel de salinidad pulsando el botón salinidad (C). Se debería leer entre 3,0 y 3,5 GPL. Si no es así pulse el botón salinidad (C) dos (2) o tres (3) veces más hasta que la lectura de la salinidad se estabilice.

NOTA Si todavía inferior a 3,0 gpl, véanse las páginas 30 a 31 y ajustar el nivel de concentración de sal. (Mantener el nivel recomendado de salinidad de 3,0 a 3,5 GPL). Si la salinidad es de menos de 2,0 GPL el sistema activará automáticamente la celda electrolítica apagado hasta que la salinidad se eleva por encima de 2,0 GPL. Operando con una concentración baja en sal puede dañar la celda electrolítica. Del mismo modo, si la salinidad está por encima del margen de medida del sistema activará automáticamente la celda electrolítica apagado hasta que la salinidad se reduce a un nivel mensurable. De funcionamiento con sal de alta puede dañar el centro de control. Si la salinidad es superior a 3,5 gpl, véase la sección 7, Resolución de problemas.

3. Ajustar la producción de cloro al 50% pulsando los botones de flecha (A) o (B).
4. Después de 24 horas, utilice un juego de prueba confiable para medir el agua de la piscina de cloro activo libre. El rango ideal de mantener es 1 a 3 ppm. Si el contenido de cloro del agua de la piscina es demasiado baja, aumento de la producción de cloro pulsando el botón de flecha arriba (B). Si el contenido de cloro del agua es demasiado alto, disminución de la producción de cloro pulsando el botón de flecha hacia abajo (A). Ajuste en incrementos de 10% inicialmente luego en pequeños incrementos (5%) como el nivel de cloro es correcto se acercó.
5. Debido a la demanda de cloro variable de agua de la piscina, puede tomar algunos días para determinar el grupo correcto funcionamiento de la bomba de tiempo y el porcentaje de ajuste para la producción de cloro de su piscina. Continúe ajustando según sea necesario, lo que permite 24 horas entre los ajustes hasta que el contenido de cloro del agua de la piscina se ha estabilizado en 1 a 3 ppm.

5.5 Invernación

Consulte Sección 6.7, para el invierno.

5.6 Recomendaciones

Lista de ACTIVIDADES QUE SE DEBE HACER

- Lea y guarde el manual en un lugar seguro.
- Sustituya el cartucho de la puesta en marcha dentro de 30 días y otra vez cada seis (6) meses.
- Aumentar la tasa de producción de cloro antes de que un gran número de bañistas entrar en la piscina y volver a la normalidad después.
- Aumentar la tasa de producción de cloro cuando la temperatura sube.
- Aumentar la tasa de producción de cloro cuando el número de bañistas se incrementa.
- Para las piscinas al aire libre, estabilizador de uso (ácido cianúrico) para estabilizar el cloro en la piscina.
- Instale el centro de control en la sombra o fuera de la luz directa del sol siempre que sea posible.
- Disminuya la tasa de producción cuando la temperatura baja (por ejemplo, en el otoño e invierno).
- Tome muestra de agua de la piscina para un representante calificado de servicio una vez al mes.

Lista de actividades DE AQUELLO QUE NO SE DEBE HACER

- No use el fertilizante en su piscina. Los fertilizantes contienen nitratos que causan una alta demanda de cloro en el agua de la piscina.
- Nunca use ácido seco para ajustar el pH en las zonas áridas zonas geográficas con la evaporación excesiva y de la dilución mínima de agua de la piscina con agua dulce. La acumulación de los productos pueden dañar la celda electrolítica.
- No agregue sal o productos químicos a la piscina a menos que el clorador está apagado.
- Para las piscinas al aire libre, no deje estabilizador de cloro (ácido cianúrico) cae por debajo de 10 ppm.
- No agregue sal sin consultar primero el nivel de salinidad de la piscina. Demasiada sal puede desactivar y dañar posiblemente la de cloración.

Sección 6. Instrucciones de mantenimiento del usuario

La siguiente información describe cómo cuidar a su sistema de desinfección.

IMPORTANTE Siempre pruebe los niveles de cloro de la piscina antes de cada uso.

6.1 Diario

1. **Filtración y la circulación.** Siga las instrucciones del fabricante para el mantenimiento de la bomba de circulación en buen estado y funcionan por lo menos seis (6) horas del día. Consulte a su distribuidor Nature2 para tiempos de ejecución óptima. Revise periódicamente filtro de la piscina, limpio como recomendado por el fabricante.

6.2 Semanal

1. **Prueba de cloro.** Mantener el rango ideal mediante el ajuste de la producción del Fusion Nature2 Soft de cloro utilizando la Sección 5.4. Recomendación de cloro es 0,5 a 1 ppm.

Utilice un dispositivo de prueba de casa o pedir a su representante calificado de servicio para probar el agua. Se recomienda que las muestras de prueba de cloro se tomará de dos (2) lugares, se describe a continuación. Compara los dos (2) muestras. Un nivel más alto se encuentra en la línea de retorno de la piscina. El nivel más alto en la línea de retorno indica que el sistema de cloración de agua salada es la producción de cloro.

- a. En la línea de retorno de la piscina.
 - b. De 18" (46 cm) por debajo de la superficie y lejos de la línea de retorno de la piscina.
2. **Prueba de nivel de pH.** Prueba el nivel de pH de su piscina con un dispositivo de prueba. Si es necesario, ajustar de acuerdo a las recomendaciones de su representante de servicio cualificado. APSP estándar de 7,4 a 7,6, se recomienda.

PRECAUCIÓN

Nunca use ácido seco para ajustar el pH en las zonas áridas zonas geográficas con la evaporación excesiva y de la dilución mínima de agua de la piscina con agua dulce. La acumulación de los productos pueden dañar la celda electrolítica.

6.3 Mensual

1. **Prueba de nivel de sal.** Prueba de nivel de la piscina de agua salada presionando el botón C de salinidad y de la lectura de la pantalla LCD situada en el centro del interfaz de usuario de energía. A mantener el rango ideal de 3,0 a 3,5 gpl para un rendimiento óptimo. Si se necesita más sal, siga los procedimientos y las cartas se describe en la sección 4. Si el nivel de sal no aumenta después de 24 horas, véase la sección 7.
2. **Piscina de agua de la muestra.** Tome muestras de agua a la tienda local de la piscina para la prueba.
3. **Alcalinidad total de prueba.** El agua de la piscina de ensayo para la alcalinidad total con un dispositivo de prueba. Ajuste de acuerdo a las recomendaciones de su representante de servicio cualificado. APSP estándar de 80 a 120 ppm.

4. **Estabilizador (ácido cianúrico).** Prueba de la piscina de agua estabilizante (ácido cianúrico) nivel de uso de un dispositivo de prueba o por tener una muestra de agua a prueba por un representante calificado de servicio. Mantener el rango ideal de 10 a 50 ppm. Siga las recomendaciones de su representante de servicio cualificado. Estabilizador no es necesario para utilizar la piscina cubierta.
5. **La dureza de calcio.** Agua de la piscina de prueba para el nivel de calcio de dureza con dispositivo de prueba o por tener una muestra de agua a prueba por un representante calificado de servicio. Si es necesario, ajustar de acuerdo a las recomendaciones de su representante de servicio cualificado. APSP estándar de 150 a 400 ppm, es recomendable.
6. **Prueba de Metales.** Se recomienda que el agua de la piscina debería comprobarse periódicamente para detectar la presencia de metales tales como hierro y manganeso. Estos metales no deberían estar presentes en el agua de la piscina. Si estos metales están presentes, en contacto con el representante local de servicio calificado.

6.4 Cada seis (6) meses (o una vez cada temporada de piscina que sea más corto)

6.4.1 Cartucho de repuesto de minerales del Nature²

El cartucho de Nature² Fusion Soft tiene una duración de seis (6) meses o una temporada de la piscina (la que sea el más corto periodo de tiempo).

1. Apague la bomba de la piscina y el filtro.
2. Las válvulas se cierran entre el filtro y la piscina para evitar el drenaje de la piscina.
3. Gire hacia la izquierda de collar para remevalo y levante la tapa.
4. Saque el cartucho antiguo y deséchelo en la basura del hogar. Inserte el nuevo cartucho (ver sección 4.3)
5. Posición gorra en la carcasa del vaso.

IMPORTANTE Asegúrese de que el anillo tórico este seguro en la ranura en la parte superior del vaso, no en la parte inferior de la tapa. Gire el collar grande en sentido derecho hasta que encaje en su lugar, no los apriete demasiado.

6. Abra todas las válvulas que fueron cerradas para aislar el Fusion Nature².

6.5 Limpieza de la celda electrolítica - como sea necesario

Dependiendo de la química del agua, de vez en cuando la limpieza manual de la celda puede ser necesario.

1. Apague la bomba de filtración y cloración, cerca de las válvulas necesarias.

¡ADVERTENCIA!

Siempre apague la bomba antes de instalar o quitar los componentes de las tuberías de la piscina. Su bomba / sistema de filtro es operado bajo la presión y la presión debe ser liberado antes de empezar a evitar daños en el sistema, graves lesiones personales o muerte. Abra la válvula de aire en el filtro de la piscina para liberar la presión en el sistema. Asegúrese de seguir el filtro piscina las instrucciones del fabricante para asegurarse de que este es realizado correctamente.

2. Desenchufe el conector amarillo de el vaso.
3. Desenrosque la celda electrolítica anillo de retención y quite la celda electrolítica.
4. Mire hacia abajo en la celda electrolítica para ver si hay sarro en las placas.

¡ADVERTENCIA!

Para evitar lesiones personales cuando se trabaja con productos químicos para piscinas, siempre use guantes de goma y protección para los ojos, cubrir la piel expuesta, y trabajar en un área bien ventilada. Tenga cuidado al elegir una ubicación para abrir y utilizar los productos químicos que pueden dañar cualquier superficie en la que entran en contacto. Si cualquier sustancia química en la piel, lave el área inmediatamente con agua. Si cualquier sustancia química en su ropa, retire inmediatamente la pieza de ropa y enjuague con agua.

5. Mezcle la solución de limpieza en un contenedor de plástico adecuado mediante la adición de un (1) parte de clorhídrico (muriático) ácido a diez (10) partes de agua. Nota: Para evitar salpicaduras, siempre añada MURIATIC ÁCIDO AL AGUA en lugar de agua al ácido muriático. Soluciones más fuertes de 1:10 dañará la celda electrolítica y anular la garantía. Sumerja únicamente las placas de la celda electrolítica en la solución de limpieza. Vea la figura 19. Dejeque la solución de limpieza para disolver los depósitos de calcio durante aproximadamente cinco (5) minutos.
6. Repita el procedimiento si es necesario. Tenga cuidado de evitar salpicaduras de las terminales de la celda electrolítica y otros equipos con la solución de limpieza ácidos. Lave los derrames con abundante agua fresca. Para neutralizar la solución de limpieza ácidos, agregar bicarbonato de soda (la formación de espuma se produce).
7. Enjuague la celda electrolítica en agua limpia y volver a instalar en el vaso. Asegurese que el anillo tórico este sentado correctamente y ligeramente revestido con lubricante de silicon. Apriete a mano el collar.

IMPORTANTE Asegúrese de que el anillo tórico este seguro en la ranura en la parte superior del vaso, no en la parte inferior de la tapa. También verifique que el anillo tórico mire la misma dirección que figura 20 convoca all instalar.

8. Vuelva a colocar el tapón amarillo después de secarlo y ligeramente revisterlo con grasa de silicon.
9. Reconfigure las válvulas y los interruptores. Encienda la bomba y el desinfectante.
10. Confirme la producción de cloro y la configuración de la interfaz de usuario.

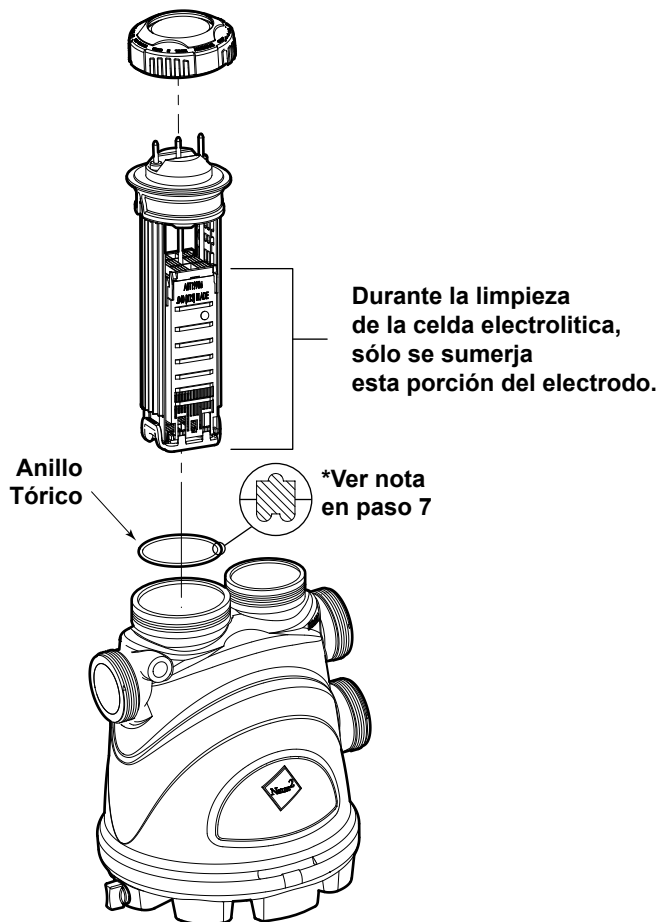


Figura 20. Limpieza de la celda electrolítica

cloro. Si se necesita más cloro, activando el “refuerzo” (BOOST) reemplazará a este elemento de agua fría permitiendo la producción de cloro durante 24 horas de funcionamiento. Véase la sección 5.1, controles de interfaz de usuario.

6.6 Limpieza del sensor de flujo/ temperatura/salinidad

Una (1) vez al año o cuando sea necesario. Es raro, pero formaciones de sarro en el sensor de flujo/temp/ salinidad a veces ocurren y afectan a la exactitud de la prueba de la salinidad.

1. Remueva el sensor de flujo/temp/salinidad del vaso.
2. Cepille con la familia de un leve abrasivo de fibra verde paño de limpieza. Los contactos deben estar limpios y brillantes.
3. Enjuague bien el sensor de flujo/temp/salinidad con agua limpia. Reemplaze y reanude el funcionamiento normal.
4. **Apague y vuelva a encenderla con el fin de calibrar y restablecer el sensor de flujo/temp/ salinidad. Reconfigure el sensor de flujo/temp/ salinidad cada vez que sea desenchufado.**

6.7 Invernación

Cloro se necesita muy poco en agua fría. Por debajo de 51 ° F (11 ° C), la producción de cloro no está permitida y de funcionamiento de la cloración en el agua fría podría resultar en un exceso de agua de la piscina con

Si las medidas preventivas no se toman, la congelación del agua puede causar graves daños a la celda y el sensor de flujo/temp/salinidad. Prevenir daños a la congelación de celdas y el sensor de flujo/temp/salinidad mediante la ejecución de la bomba de forma continua o el invierno la piscina por el drenaje de agua de la bomba, filtro, y todas las líneas de entrada y de retorno. Retire la celda, limpiar y almacenar. Desconecte la corriente del sensor de flujo/temp/salinidad del centro de control, a continuación, eliminarlo de el vaso. El sensor de salinidad en una bolsa de plástico o cubierta de protección y el flujo de la bobina del sensor de flujo/temp/salinidad de los cables y cable de corriente continua de todo el centro de control para el almacenamiento.

Un componente opcional (se vende por separado) está disponible para sustituir el vaso durante el invierno o el mantenimiento del vaso. Esto permitirá que la bomba de la piscina circule el agua con el vaso de la de la línea.

Cuando un controlador de congelamiento se utiliza en equipos de bombeo y la cloración se ejecuta durante el invierno, a su vez la producción de cloro hasta 10 - 20%. De lo contrario, la producción de cloro superará el nivel recomendado de 1,0 a 3,0 ppm.

NOTA A nivel de cloro por encima de 3.0 ppm puede provocar la corrosión de los metales de la piscina y posiblemente causar daño al equipo de la piscina asociados.

Sección 7. Solución de problemas

NOTA Gire el suministro de energía a la unidad antes de intentar de servicio o reparación.

7.1 Problemas y acciones correctivas

Problema	Posible causa	Acción Correctiva
Disminución o ausencia de cloro.	Estabilizador de baja (ácido cianúrico) nivel de agua de la piscina. Insuficiencia de horas de funcionamiento de la unidad (piscinas al aire libre solamente).	Añada estabilizador de mantener 10 a 50 ppm.
	Porcentaje de producción de cloro demasiado bajo o bajar en 00%.	Aumente la producción de cloro por presionar el ajuste Tasa de Producción de cloro botón (botón de la flecha B). Vea la Sección 5, instrucciones de funcionamiento.
	Los recientes aumentos en la temperatura del tiempo, sin aumentar la producción de cloro de su unidad.	Aumente la producción de cloro por presionar el ajuste de la tasa de Producción de cloro botón (botón de la flecha B). Vea la Sección 5, instrucciones de funcionamiento.
	La pérdida temporal de cloro debido a la pesada carga orgánica - la lluvia, hojas, fertilizantes o cantidad de bañistas pesados. Animales usando la piscina.	Use la modalidad "Boost" y permita una duración de 24 horas. Vuelva a comprobar. Si sigue siendo demasiado baja, Súper cloro con fuente externa. (Tome muestra de agua a un representante calificado de servicio.) Vea la Sección 5, instrucciones de funcionamiento.
	Bajo nivel de sal (menos de 2,5) gpl en el agua de la piscina.	Pruebe salinidad pulsando el botón de prueba de salinidad. Vea la sección 4, tablas 2 y 3.
	Alto nivel de nitratos.	Contacte a un representante calificado de servicio.
	Metales presentes en el agua de la piscina.	Contacte a un representante calificado de servicio.
	Piscina con agua nueva. No hizo una dosis de shock correctamente.	Realize super cloración en la piscina. Véase la Sección 5.4.

Problema	Posible causa	Acción Correctiva
	Celdas obstruido o sucio.	Remueva la celda para inspección. Limpie si es necesario. Vea la Sección 6.
<i>No aparece nada en la pantalla LCD (pantalla está en blanco).</i>	No hay energía a la unidad.	Compruebe la alimentación. Encienda la bomba. 1. Temporizador automático defectuoso o interruptor de la bomba. 2. Conexión floja en temporizador automático o en el interruptor de la bomba.
	Cable suelto entre el frente la parte posterior de placa de circuito impreso.	Compruebe que el cable de cinta esté totalmente insertado en el conector.
	Incorrectamente conectados. La unidad no cableada para 240 VCA.	Compruebe que la unidad está correctamente cableada para 240 VCA y conectada a 240 VCA.
	Una conexión floja o mal en el conector blanco entre el transformador y la placa de circuito impreso.	Verifique el conector en el enchufe blanco para asegurar una conexión apropiada. Si el contacto conector esta quemado contacte a un representante calificado de servicio.
"Celda de" indicador no se enciende.	La producción de cloro establece en 00%.	Ajuste de la producción de cloro al porcentaje deseado.
<i>Si no también de flujo</i>	El flujo de agua insuficiente. La celda se tiene desechos, la bomba ha perdido el cebado.	Quite la obstrucción y limpie la celda. Véase la Sección 6.5. Ceba la bomba si es necesario.
<i>Si no también de flujo</i>	El sensor de flujo/temp/salinidad no esta conectado.	Enchufe el sensor de flujo/temp/salinidad. Vea la Sección 3, figuras 11, 12 y 13.
	Nivel de sal por debajo de 2.0 GPL (2000 ppm).	Agregue la sal como se describe en la Sección 4.8.
"No flujo " indicador se mantiene en forma continua.	Bomba deja de proporcionar suficiente flujo de agua.	Verifique el correcto funcionamiento de la bomba. Asegúrese de que no hay pérdida del cebado de la bomba o que las cestas de filtro esten obstruidas.
	Las válvulas estan colocadas de forma incorrecta o las válvulas estan cerradas.	Verifique y corrija todos los alineamientos de la válvula.
	Canasta de filtro obstruido o sucio.	Siga los procedimientos de limpieza de filtro.
	Obstrucción de las celdas del Nature ² Fusion Soft.	Remueva la celda para la inspección. Siga los procedimientos de limpieza. Véase la Sección 6.5, de la celda electrolítica de limpieza.
	El sensor de flujo/temp/salinidad esta instalado correctamente.	Asegúrese de que el flujo el sensor de flujo/temp/salinidad se instale de acuerdo a la Sección 3, la Figura 10. Si no, comuníquese con un representante calificado de servicio.
	El sensor de flujo/temp/salinidad no esta enchufado.	Conecte el sensor de flujo/temp/salinidad en el conector en la palaca de circuito impreso del centro de control. Apague y encienda la unidad (Ciclo de energia). Ver el diagrama de cableado en las figuras 11, 12 y 13. Véase también la sección 6.6, paso 4.
	El sensor de flujo/temp/salinidad esta cubierto con elementos como pegamento, cinta adhesiva o más, o cubierto con otros residuos.	Remueva y limpie el sensor de flujo/temp/salinidad y vuelvalo a instalar. Véanse las secciones 3.11 y 6.5.
	Defectuoso sensor de flujo/temp/salinidad.	Contacte a un representante calificado de servicio.

Problema	Posible causa	Acción Correctiva
Nivel de sal muy alto.	El exceso de sal ha sido añadido a la piscina.	Parcialmente drene la piscina y diluya con agua fresca hasta que regrese a la salinidad a 3,0 a 3,5 gpl.
Nivel de cloro muy alto.	La celda electrolítica esta creando mucha clorina.	Disminuya la tasa de producción de cloro en el botón de ajuste (botón flecha A). Consulte Sección 5. Si la producción de cloro en la posición más baja constantemente provee los niveles de cloro excesivo, disminuya el tiempo de funcionamiento de la bomba tanto como sea necesario. Si la producción de cloro esta en la posición más baja y es todavía excesivo entonces el sistema Nature2® Fusion Soft es de tamaño extra grande para la piscina.
Indicador "Service" (servicio) esta encendido.	Bajo nivel de sal en el agua de la piscina.	Verifique la salinidad. Añada sal como se describe en la Sección 4.6.
	La celda requiere limpieza.	Refiérase al procedimiento de mantenimiento para el lavado con ácido. Véase Sección 6.4, paso 2.
	La celda no funciona correctamente luego de la limpieza	Contacte a su representante autorizado de mantenimiento técnico.
	El cable de energía eléctrica de CC no está conectado correctamente a la celda.	Revise la conexión. Revise alrededor de los contactos en la celda para ver si presentan corrosión o suciedad. Revise también las varillas por el mismo motivo.
	El sensor de flujo/temp/salinidad no esta enchufado.	Enchufe el sensor de flujo/temp/salinidad en el conector de la placa de circuito impreso del centro de control. (Ciclo de la energía eléctrica).
	Temperatura del agua muy baja	Prepare su piscina para el invierno. Véase Sección 6.7.
	Se ha revisado todo lo anterior y la luz del indicador sigue encendida.	Contacte a su representante autorizado de mantenimiento técnico.
Nivel de sal demasiado bajo.	No se añadió suficiente sal durante la puesta en marcha.	Añada sal a la piscina, entre 3,0 gpl y 3,5 gpl. Véase Sección 4.6.
	Demasiada lluvia.	Añada sal a la piscina, entre 3,0 gpl y 3,5 gpl. Véase Sección 4.6.
	Fuga en la piscina.	Repare la piscina.
	Contactos del sensor de flujo/temp/salinidad estan sucios fallas en el sensor de flujo.	Remueva y limpie los contactos del sensor de flujo/temp/salinidad. Revise si el cable del sensor tiene algún daño. Véase Sección 6.6. Verifique la salinidad con un medidor Myron "L" calibrado para NaCl, unidades de titración, u otros medidores de sal. Por favor, tenga en cuenta que las tiras reactivas de sal tienen una gran variabilidad en las lecturas (400 - 800 ppm).
El cloro olor.	La presencia de exceso de cloraminas (cloro combinado).	Descarga manual de la piscina siguiendo las instrucciones en la Sección 5.4.2.
El agua turbia, viscosa de las paredes de la piscina.	Han pasado seis (6) meses desde el cartucho de la actualidad se ha instalado.	Cepillo piscina, manualmente aplique dosis de shock, ajustar el pH cambie el cartucho. Haga funcionar el sistema de filtración durante 24 horas.
	Algas combinada y el crecimiento de bacterias.	Cepille las paredes afectadas y siga las instrucciones en la Sección 5.4.2.
Los ojos y/o irritación de la piel.	Inadecuado balance de agua.	Balance del agua a los niveles recomendados en la sección 4.5.

Problema	Posible causa	Acción Correctiva
Hay sarro en la formación de equipo de la piscina. NOTA: Para limpiar el depósito de sarro en las placas de la celda electrolítica, véase la sección 6.4.	PH incorrecto metales haciendo que salgan de la solución.	Ajuste la alcalinidad total de 80 a 120 ppm. A continuación, ajustar el pH dentro del rango de 7,4 a 7,6. Vea la Sección 4.5.
	Alta dureza total.	Diluya la piscina con agua dulce. Póngase en contacto con un representante calificado de servicio con respecto al uso de un agente secuestrante.

7.2 Códigos de servicio

Número de código	Posible causa	Acción correctiva
120	Corriente de bajo voltaje en dirección de avance hacia la celda.	1. Limpie la celda en caso de que sea necesario (véase Sección 6.5) 2. Revise el cable de CC.
121	Corriente de bajo voltaje en dirección inversa a la de la celda	1. Limpie la celda en caso de que sea necesario (véase Sección 6.5) 2. Revise el cable de CC.
123	Corriente eléctrica extremadamente baja, hacia la celda.	1. Limpie, o reemplace la celda, en caso de ser necesario (véase Sección 6.5) 2. Revise el cable de CC.
124	La corriente eléctrica hacia la celda es más alta de lo normal.	Contacte a un representante calificado de servicio.
125	La celda requiere limpieza.	En caso de que sea necesario limpie la celda (véase Sección 6.5).
126	Corriente de bajo voltaje en dirección de avance y la entrada de VCA por debajo de 100/200 VCA.	Contacte a un representante calificado de servicio.
127	La corriente de bajo voltaje en dirección inversa y la entrada de VCA por debajo de 100/200 VCA.	Contacte a un representante calificado de servicio.
144	Salinidad baja (por debajo de 2,0 gpl)	Añada sal a la piscina para alcanzar el nivel de 3,0 gpl (véase Sección 4.6).
145	Salinidad alta (above 4,0 gpl)	Si tiene un filtro DE instalado realice un retrolavado del filtro. Vacíe parcialmente la piscina y diluya el agua de la piscina con agua dulce hasta que la salinidad vuelva a estar entre 3,0 y 3,5 gpl.
170	El tablero frontal requiere mantenimiento técnico o la unidad no está conectada a 120 VCA.	Contacte a un representante autorizado de mantenimiento.
171	Posible necesidad de mantenimiento técnico para el tablero posterior.	Contacte a un representante autorizado de mantenimiento.
172	El sensor de flujo requiere mantenimiento técnico o está desconectado.	Contacte a un representante autorizado de mantenimiento.
173	Voltaje CA de entrada bajo, o falta de regulación de la fuente de suministro energía eléctrica, o la unidad no está conectada correctamente.	La unidad está conectada a un voltaje de CA inadecuado. Contacte a un representante calificado de servicio.
174	La temperatura de la piscina está demasiado alta para el funcionamiento.	El sensor de flujo/temp?salinidad indica una temperatura del agua por encima de 108°F (42,2°C) Disminuya la temperatura del agua.
175	Condición de bloqueo de aire en el sensor de flujo, o salinidad demasiado baja .	Asegúrese que la instalación del sensor de flujo/temperatura/salinidad es la correcta (véase Sección 3, Figura 9). Compruebe la salinidad con un medidor Myron L calibrado para NaCl o con bandas de tiras reactivas. Añada la sal necesaria (véase Sección 4.6).

7.2 Códigos de servicio nivel 2

Si usted encuentra un código de servicio de nivel 2, comuníquese con un representante calificado de servicio.

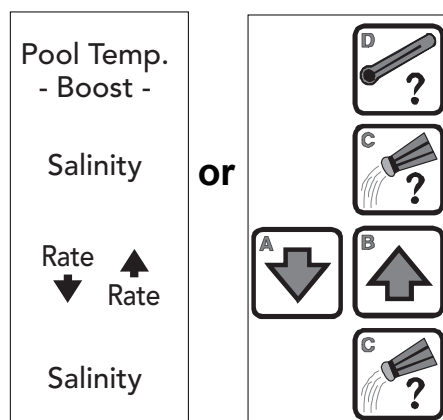
Número de código	Possible Causa	Acción Correctiva
180	El elemento del sensor de calentamiento no calienta. (Genera el código 172)	Contacte a un representante calificado de servicio.
181	Fallo en el sensor de temperatura de sensor de flujo. (Genera el código 172 - Servicio de sensor de flujo)	Contacte a un representante calificado de servicio.
182	Sensor de salinidad ve menos de 0,2 gpl de sal, sin sal en la piscina o el sensor de aire bloqueado. (Genera el código 175 - Sensor de aire bloqueado)	Contacte a un representante calificado de servicio.
183-186	El sensor de flujo/salinidad/temp da códigos de error. (Generar código 172 indica servicio al sensor es necesario)	Contacte a un representante calificado de servicio.
187	Fuente de alimentación demasiado baja o demasiado alta. (genera 173 - Bajo voltaje de código si el nivel 2 es código 188) (genera 170 código si el 188 no está presente)	Contacte a un representante calificado de servicio.
188	VCA el voltaje es demasiado bajo. (genera el código 173 si el nivel de código II 187 está presente)	Contacte a un representante calificado de servicio.
189	Relé no llevar a cabo en la dirección de avance. (genera el código 171 - servicio de tablero)	Contacte a un representante calificado de servicio.
190	Relé se conduce en la dirección inversa. (genera el código 171 - Servicio de tablero)	Contacte a un representante calificado de servicio.
191	Corriente alta en la celda (en la parte superior del convertidor A/D) y el voltaje de la celda por debajo de 19V. (genera un código 170 en el tablero)	Contacte a un representante calificado de servicio.
192	Corriente alta en la celda y el voltaje por debajo de 19V. (genera el código 171 - servicio de tablero)	Contacte a un representante calificado de servicio.
193	Medida significativa de la corriente de la celda cuando el SCRs se apaga. (genera el código 170 - servicio de a bordo al frente)	Contacte a un representante calificado de servicio.
194	La corriente de la celda es 85% menor de lo deseado y el voltaje de la celda por encima de 19V. (Genera el código 125 - Celda esta sucia o se necesita reemplazarla)	Contacte a un representante calificado de servicio.
195	Salinidad invalida debido a las mediciones causadas por la placa de control. (genera el código 170 - servicio de tablero)	Contacte a un representante calificado de servicio.

7.4 Código de letras adicionales

Código	Condición	Razón
EC	Control externo	La unidad de ORP, o el controlador externo, ha detenido la producción de cloro.
Lo	Punto de corte de la baja temperatura	La temperatura de la piscina es < 50 grados °F. Interrupción de la producción de cloro.
bo	Refuerzo	En la modalidad Boost (refuerzo) la unidad funcionará al 100% de producción por un período de operación de 24 horas.
HH	Alto-Alto	La entrada ha excedido el rango máximo.
JA	AquaLink® RS en línea	El AquaLink RS está controlando al Nature ² Fusion Soft y los porcentajes de salida deseados.
Jb	Refuerzo (Interfaz del AquaLink RS)	El AquaLink RS está controlando al Nature ² Fusion Soft y el Boost (refuerzo) está activado.

Sección 8. Conversión de la temperatura

Presentación en pantalla de grados Celsius o Fahrenheit.



1. Presione y mantenga presionada el botón de temperatura del agua de la piscina **-Boost-** (refuerzo) o **D** durante 15 segundos (tercer tono).
2. A los 5 segundos, pulse momentáneamente el botón **Salinity** (salinidad) o **C** para ingresar al cambio de modalidad Fahrenheit/ Celsius.
3. Para cambiar de Celsius a Fahrenheit, presione el botón **Rate ↓** o **Rate ↑**, o **A** o **B**.
4. Confirme por medio de presionar en forma momentánea: **Salinity** (salinidad) o **C**. El cambio se guardará en la memoria permanente.

NOTA Normalmente, la modalidad Boost (refuerzo) se activa al presionar el botón **D** Boost (refuerzo) por 10 segundos. Sin embargo, si se mantiene presionada el botón **D** por 5 segundos más (para el tercer tono), el estado de la modalidad Boost (refuerzo) no cambiará.

Sección 9. Vista ampliada y piezas de repuesto del Nature² Fusion Soft y PureLink™

9.1 Piezas de repuesto para el centro de energía eléctrica del AquaLink RS y FUSIONM

#	Juego #	Descripción	Cant	#	Juego #	Descripción	Cant
1	R0467400	Placa interfaz del control Tornillos	1 4	5	R0447500	Arnés de cables, placa de circuito impreso posterior [PCB] del PureLink al cable CC	1
2	R0467700	Placa de tapa del bisel, PureLink centro de control Placa de soporte del bisel, PureLink centro de control Cubierta de batería, PureLink centro de control Tornillos, placa de tapa del bisel Tornillos, placa soporte del bisel Tornillo, tapa de batería	1 1 1 2 2 1	6	R0467600	Conjunto de placa interfaz Tornillo, interfaz de control	1 2
3	R0447300	Puerta de batería, PureLink centro de control Tornillo, tapa de batería	1 1	7	R0503400	Placa de frontal, centro de control, APURE-F Soporte de montaje, interfaz del usuario, APURE-F Tornillos, interfaz del usuario soporte de montaje and placa frontal Puerta de la batería, centro de control, APURE-F Tornillo, tapa de la batería	1 1 4 1 1
4	R0467800	Tornillos, interfaz del usuario, PureLink Tornillos, interfaz del control Tornillos, placa tapa del bisel Tornillos, placa soporte del bisel Tornillo, tapa de la batería	4 2 2 2 1	8	R0503300	Puerta de batería, centro de control, APURE-F Tornillo, tapa de la batería	1 1

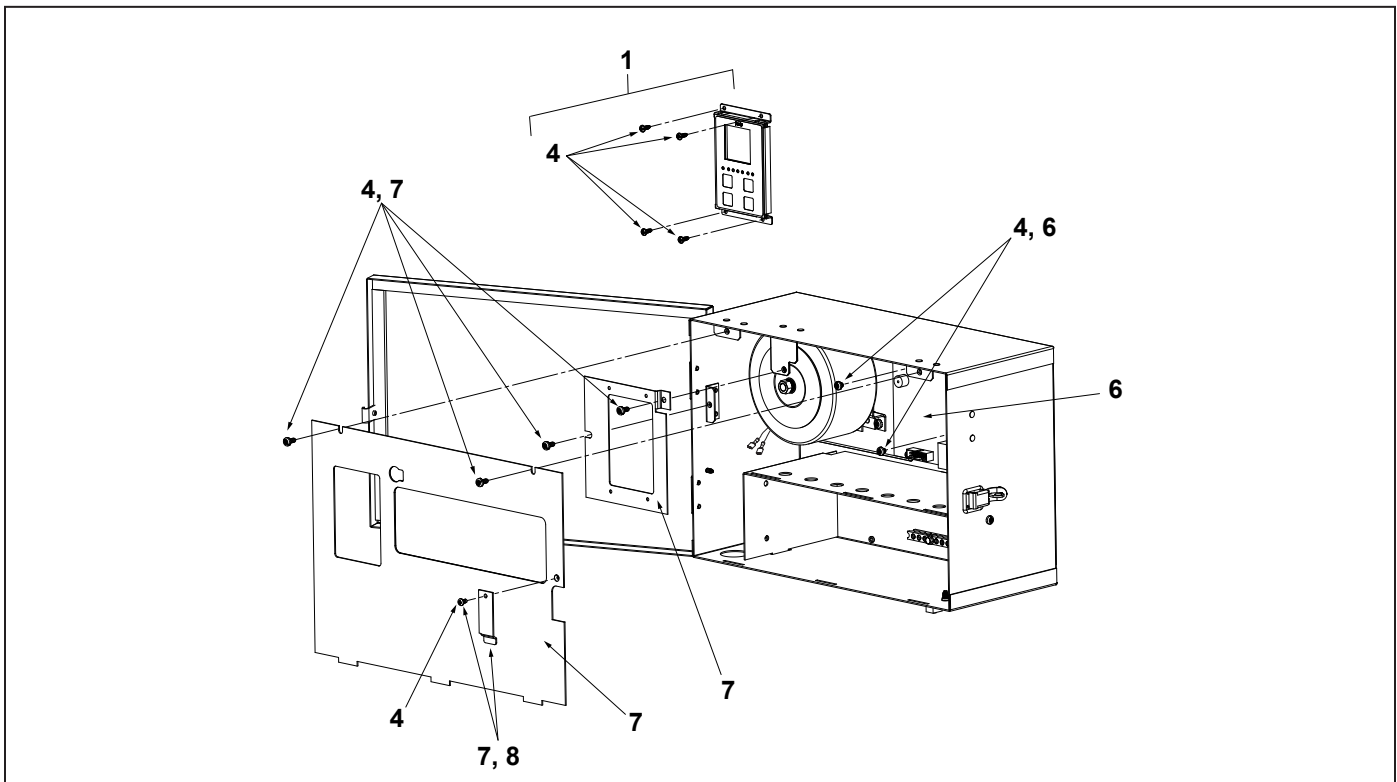


Figure 21a. Centro de alimentación del Nature² Fusion Soft

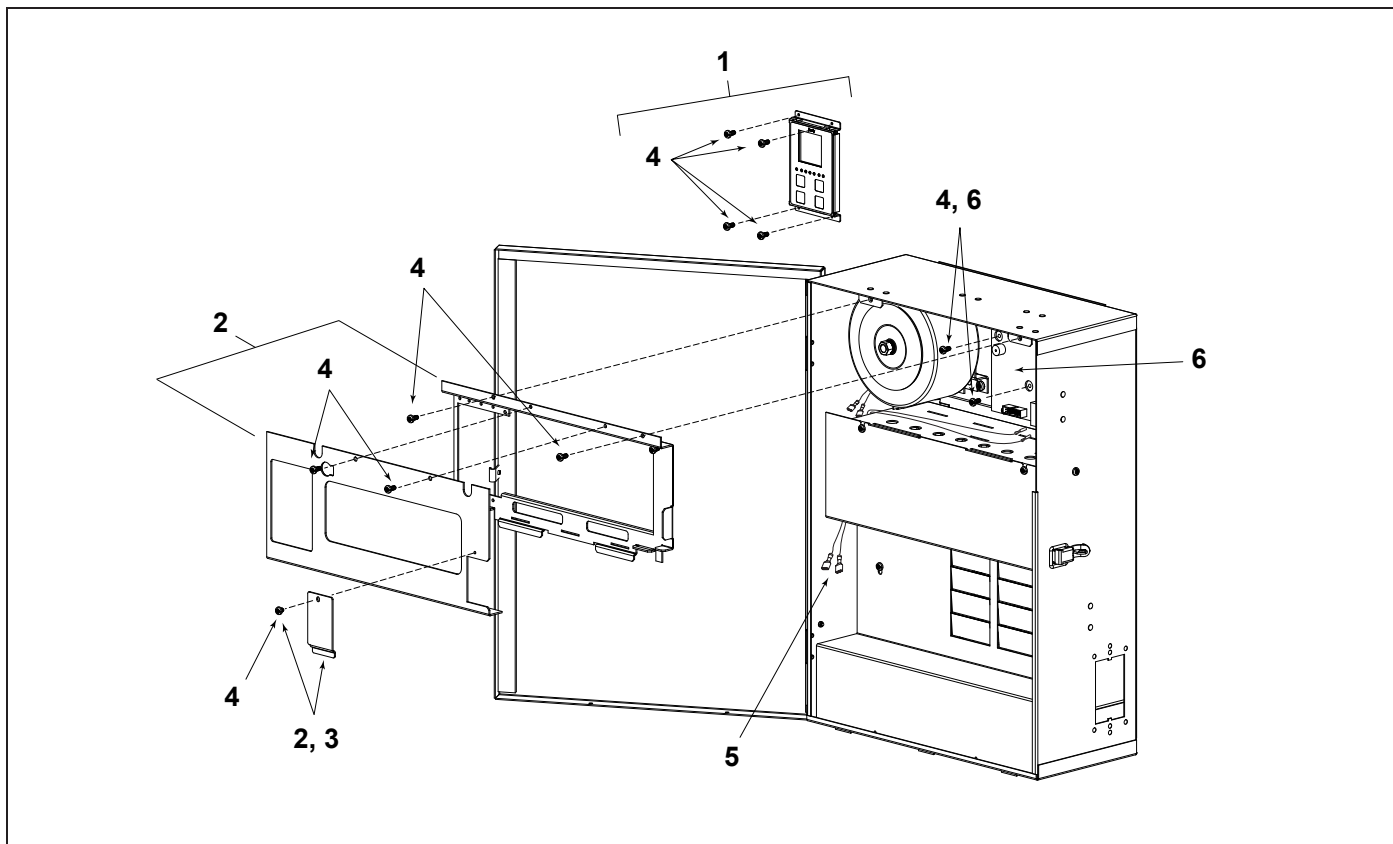


Figure 21b. Centro de control del AquaLink® RS PureLink™, 6614AP

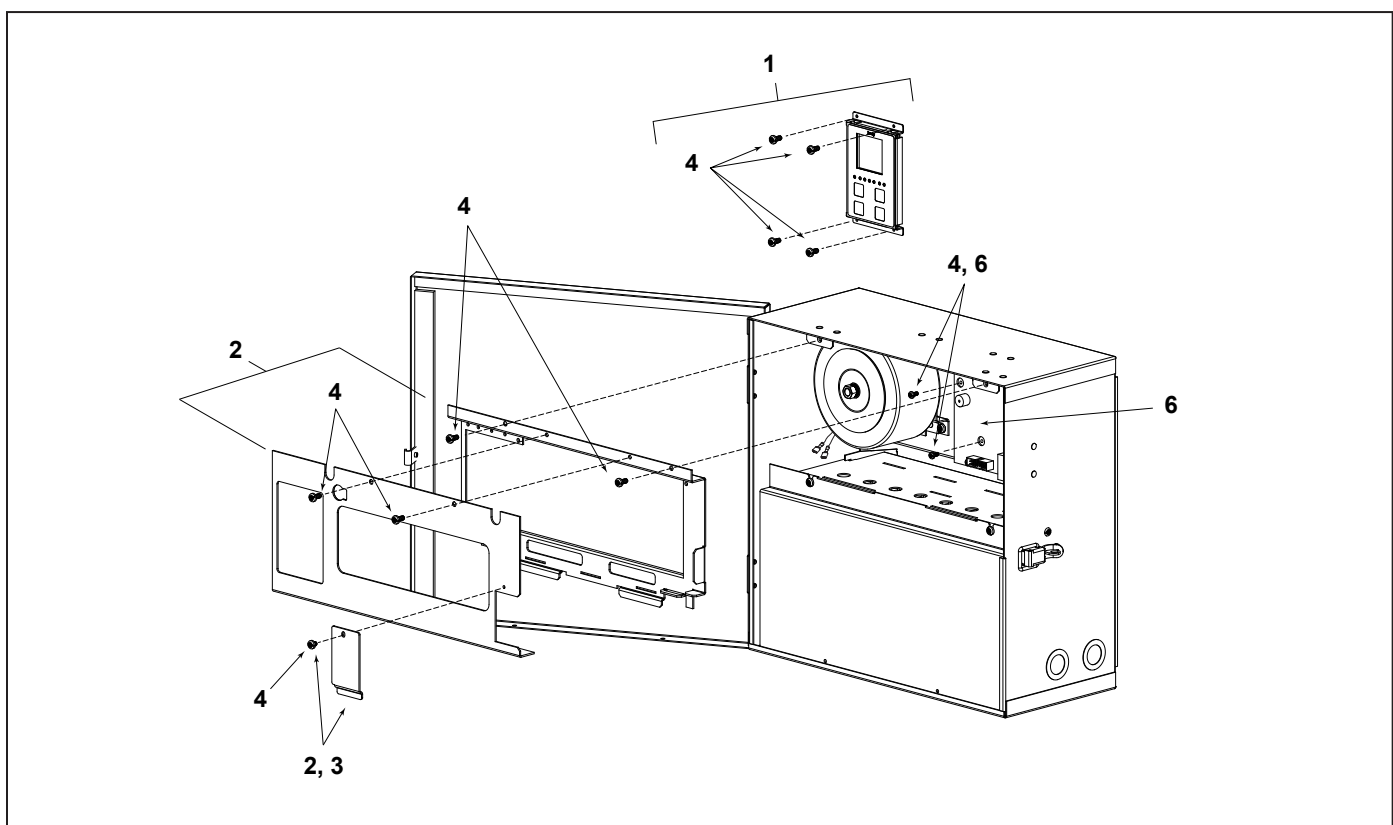


Figure 21c. Centro de control del AquaLink RS PureLink, 6613AP

9.2 Piezas de repuesto del Nature² Fusion Soft

No.	Juego #	Descripción	Cant
1	R0452100	Union universal/pieza posterior/ tapón, Incluye: Tuerca, Union Universal Anillo tórico, #2-231 Pieza posterior, 2" X 2 1/2" Tapón, puerto	3 3 2 1
2	W28000	DuoClear® 25 o Nature ² Fusion 25	1p
	W26000	DuoClear 25 o Nature ² Fusion 25	4p
	W28002	DuoClear 45 o Nature ² Fusion 45	1p
	W26002	DuoClear 45 o Nature ² Fusion 45	4p
3		Vaso con sistema de manejo de lujo, *Este producto no se vende por sí mismo	
4	R0502200	Juego de soporte de anclas	2
5	R0446000	Tapon de drenaje con anillo tórico	2
6	R0502300	Collar grande con anillo tórico	1
7	R0502400	Collar pequeño son anillo tórico	1
8	R0502500	Nature ² Fusion, juego de anillo tórico, incluye: Anillo tórico, collar grande Anillo tórico, collar pequeño Anillo tórico, uniones y tapón de puerto Anillo tórico, eje de alimento Anillo tórico, tapón/drenaje	1 1 3 2 1
9	R0502800	Nature ² Fusion Soft 700 juego de la celda	1
	R0503000	Nature ² Fusion Soft 1400 Juego de la celda Incluye: Celda electrolitica Anillo tórico	1 1 1 2
10	R0402800	Cable de 16', CC	1
11	R0476300	Cable de 25', CC	1
12	R0452500	Puerto de sensor 16' con anillo tórico	1
13	R0476400	Puerto de sensor 25' con anillo tórico	1
14	R0586300	Tri-Lóbulo Anillo Tórico	1
15	R0586400	Anillo Tórico - 337	1

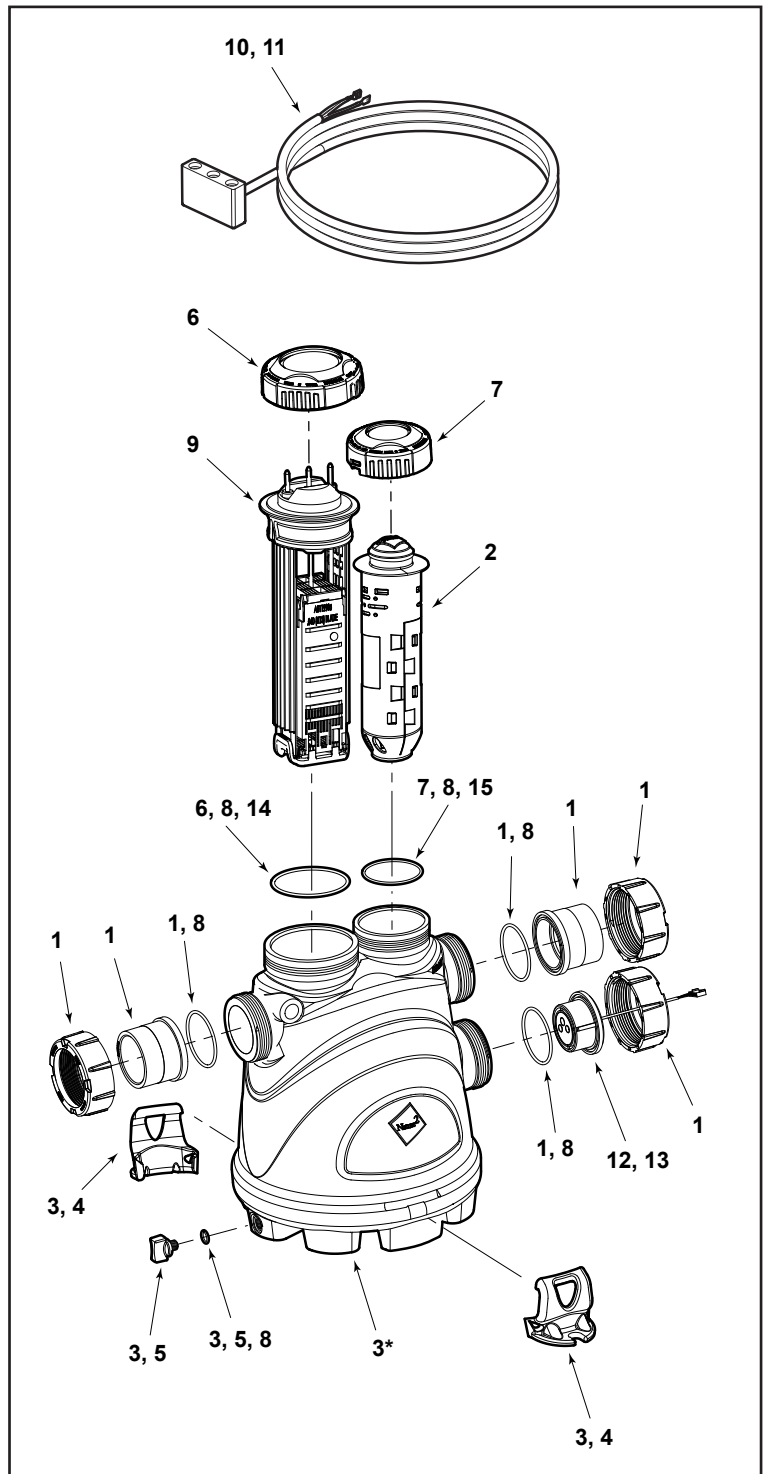


Figura 22. Vista ampliada del Nature² Fusion Soft

NOTAS

Zodiac Pool Systems, Inc.
2620 Commerce Way, Vista, CA 92081
1.800.822.7933 | www.ZodiacPoolSystems.com

*ZODIAC® es una marca registrada de Zodiac International, S.A.S.U., usada bajo licencia.
Marcas registradas usadas aquí son propiedad de sus respectivos propietarios.*

©2014 Zodiac Pool Systems, Inc. H0330100 Rev D

